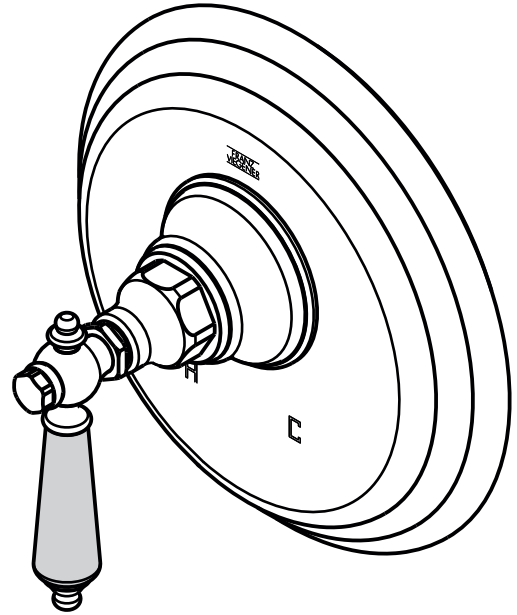


**Revere Wood FV115/58W.0**

**Features**

- . All brass construction
- . Lever handle

**Pressure balance trim.**



**Colors/Finishes**

PC  BN  PN  ORB

