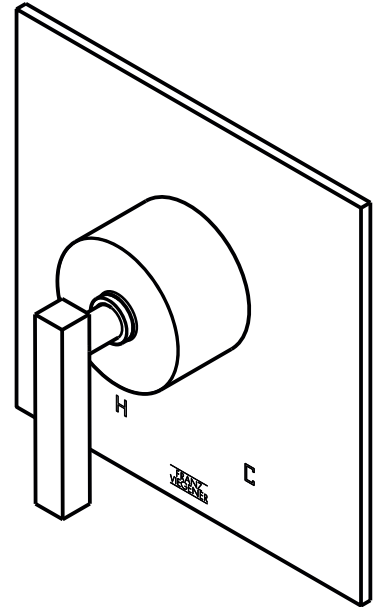


**Dominic plus FV115/85L.0**

**Features**

- . All brass construction
- . Lever handle

**Pressure balance trim.**



**Colors/Finishes**

- |                             |                             |                             |                              |
|-----------------------------|-----------------------------|-----------------------------|------------------------------|
| <input type="checkbox"/> PC | <input type="checkbox"/> BN | <input type="checkbox"/> PN | <input type="checkbox"/> ORB |
|-----------------------------|-----------------------------|-----------------------------|------------------------------|

