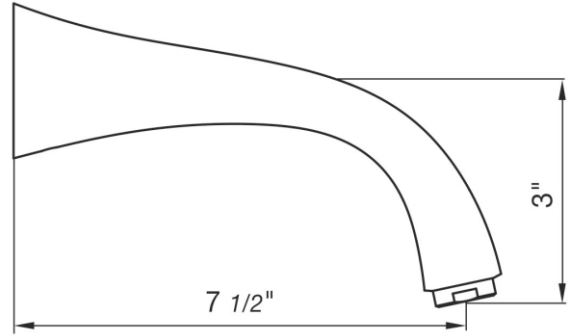


# ALESIA PLUS - FV103/49.17.0

Tub wall spout 1/2" Fem NPT connection.

Pico salida.

FRANZ  
VIEGENER



## FEATURES

### CARACTERÍSTICAS

- All brass construction.  
Producto realizado íntegramente en latón.

## FLOW RATE

### CAUDAL

- Maximum flow rate 10.7 gpm (40,5 l/min) at 20 PSI (1,4 kg/cm<sup>2</sup>)  
Caudal máximo 10.7 gpm (40,5 l/min) tomado a 20 PSI (1,4 kg/cm<sup>2</sup>)

## COLOR / FINISHES

### COLOR / ACABADOS



PC  
Polished Chrome.



PN  
Polished Nickel.



BN  
Brushed Nickel.



BG  
Brushed Gold.



PG  
Polished Gold.



RG  
Rose Gold.



BK  
Black Chrome.



FB  
Flat Black.



UPB  
Unlacked  
Polished Brass

## ITEM DETAILS

### DETALLE DE PRODUCTO

## COMPLIANCE

### CERTIFICACIONES

