

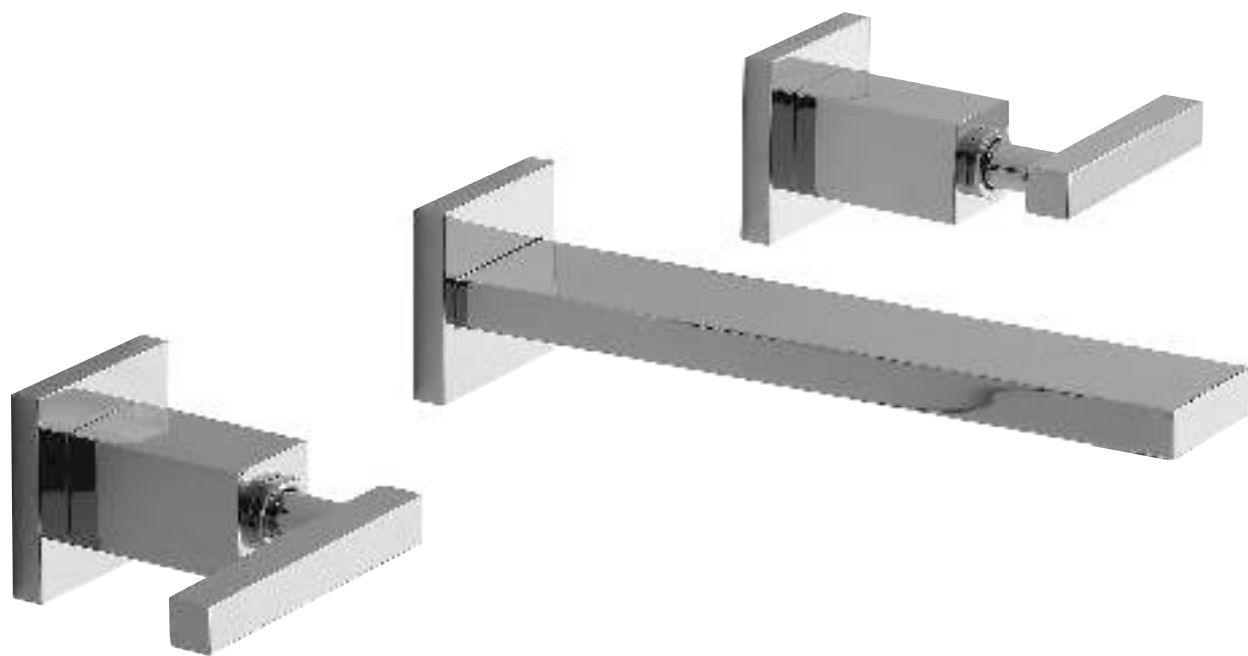
FRANZ VIEGENER

---

**Dominic lever *plus***

---

*i n s t a l l a t i o n   a n d   m a i n t e n a n c e*



# Dominic lever *plus* Wall-mounted lavatory set - Line 85L

## CONGRATULATIONS !

This product has been subjected to stringent tests for its quality, performance and finish. We guarantee years of trouble free operation. We thank you for your choice and above all for the trust you are placing in us. This trust is what motivates us to improve every day.

Before connecting the faucet to the water supply, flush the tubing thoroughly to eliminate any residue.

## Required installation tools

### Provided

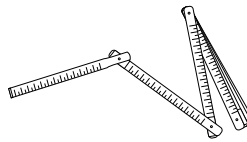


Allen wrench  
(two different sizes)

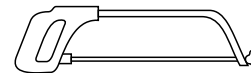


Handle fixation  
wrench

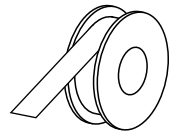
### Not provided



Ruler

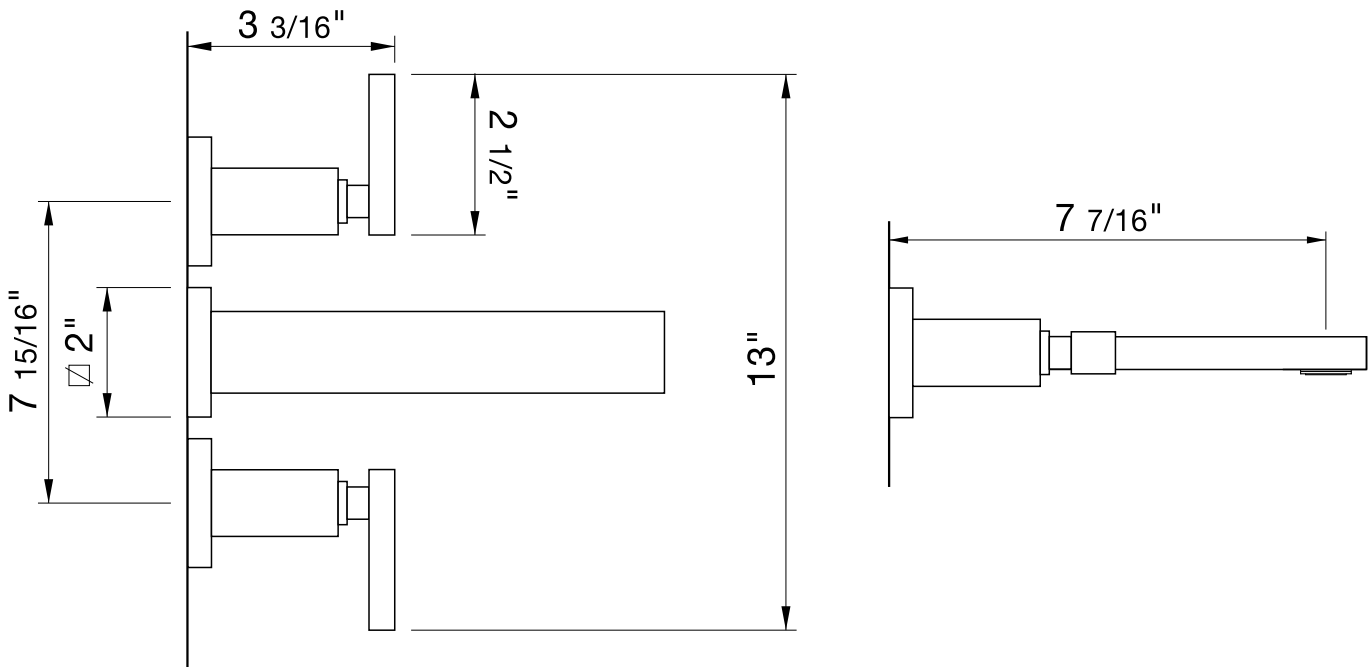


Hacksaw

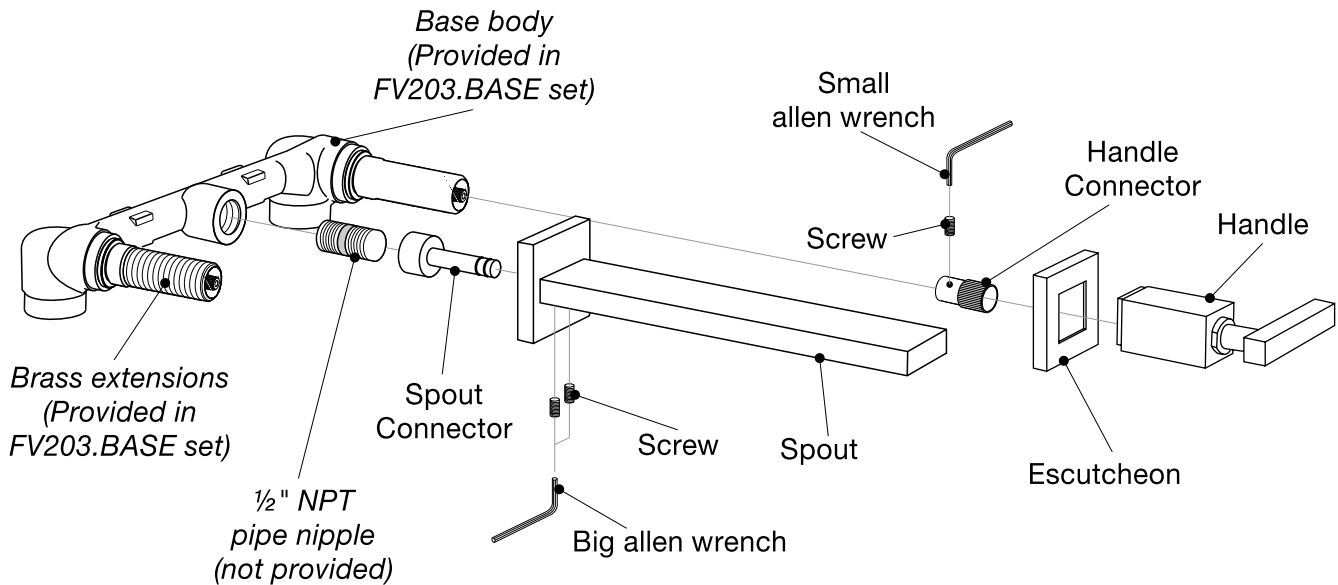


Teflon tape

## FV203/85.0



# Dominic lever *plus* Wall-mounted lavatory set - Line 85L



## Installation Instructions

1- Make sure to place the valve with supply inlets pointed downward. The brass extension is already threaded onto the FV203.BASE body. It can be removed and trimmed using a saw along the provided groove, if necessary.

## Handle instalation:

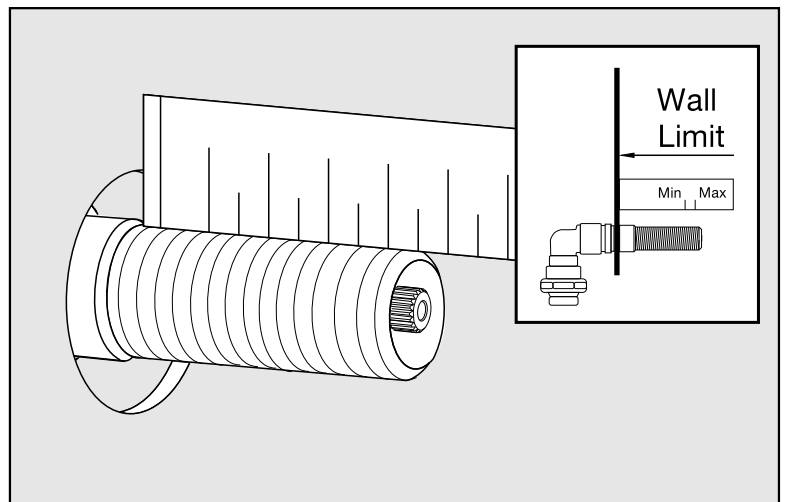
2 - Once the valve's placed, use a ruler to check and measure the maximum and minimum distances.

*MIN* : 7/8" (22,2 mm)

*MAX* : 1" (25,4 mm)

*If the min/max is correct continue directly to point 4.*

*\*Maximum and minimum distances are in millimeters, measurements in inches are for reference only.*

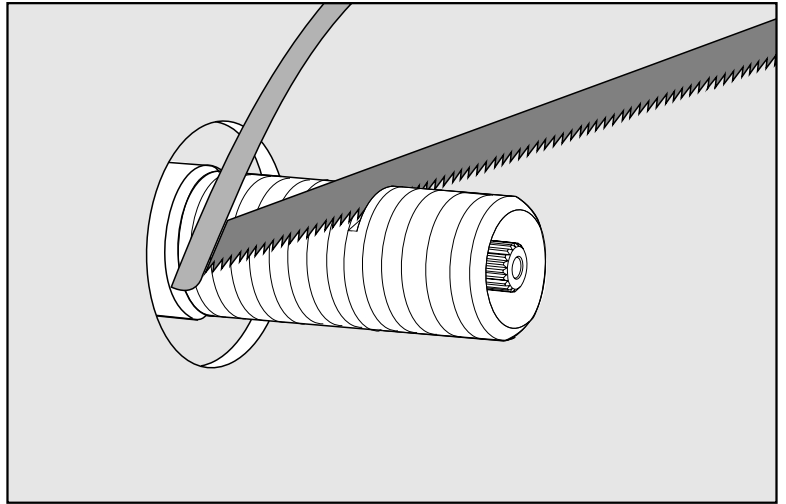


## Dominic lever *plus* Wall-mounted lavatory set - Line 85L

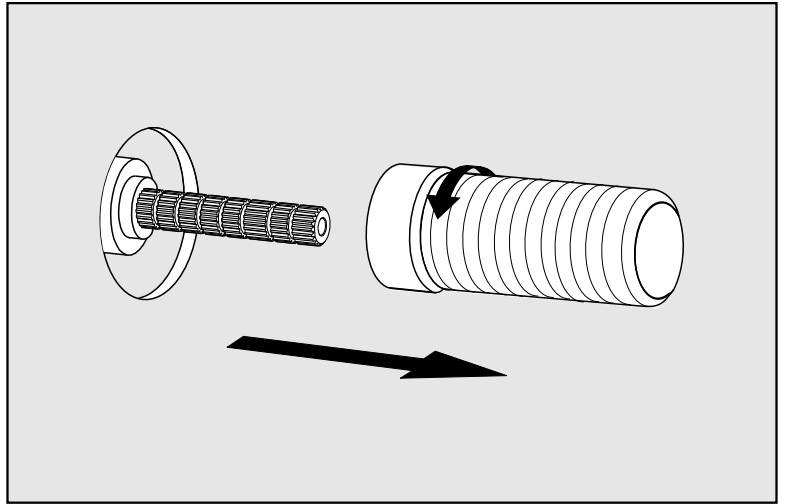
3 - **If the measured distance exceeds the "max" value** it's necessary to trim brass extension and valve stem (together).

Both parts are trimmable with hacksaw.

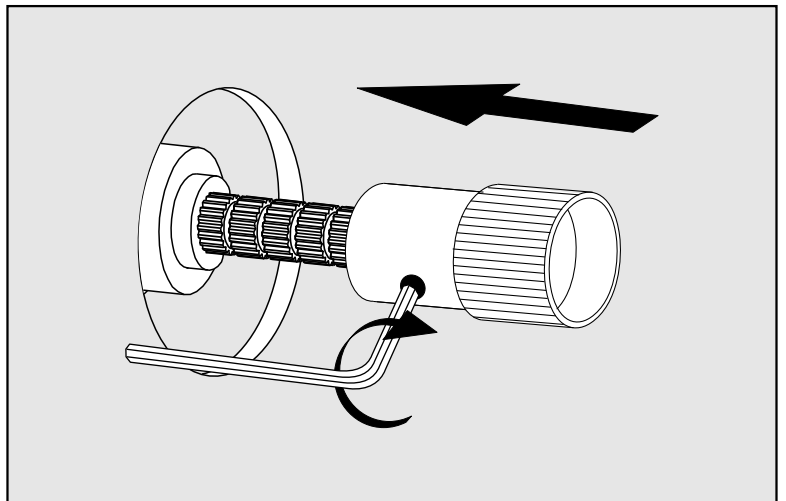
*\*Optional extension kit (not included) to use when valve is installed deeper than normal. Contact your dealer to purchase extension kit.*



4 - Remove the brass extension.

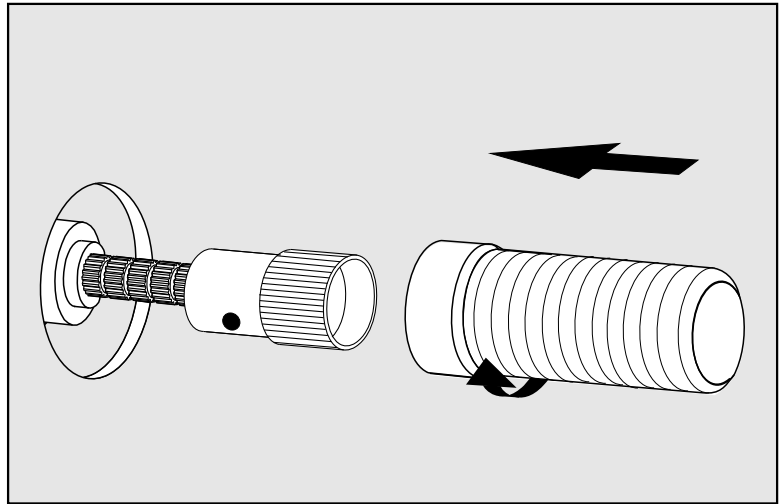


5- Place the connector and tighten it with the provided small allen wrench as shown in the picture.



## Dominic lever *plus* Wall-mounted lavatory set - Line 85L

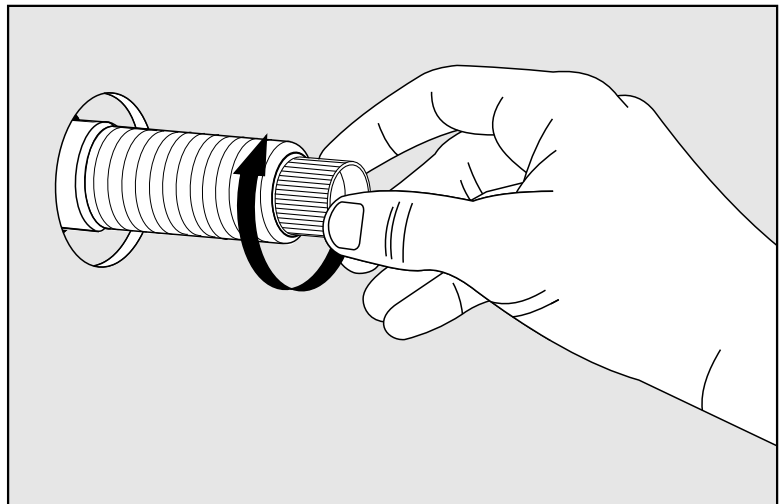
6 - After tightening the connector, place the brass extension.



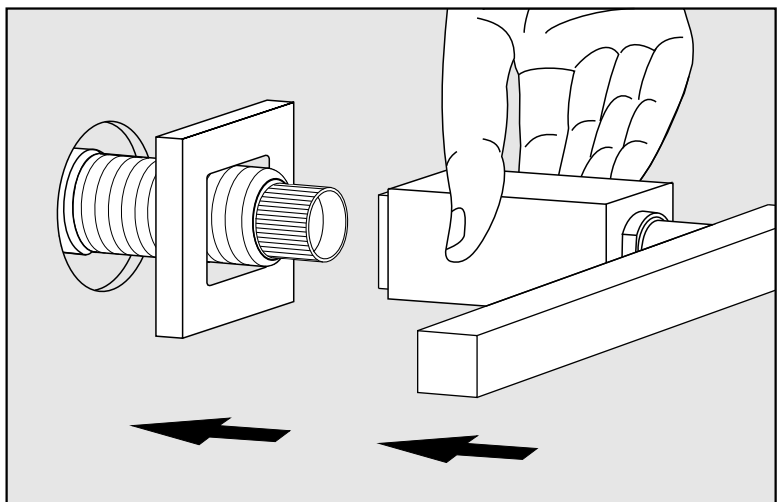
7 - Once adjusted the brass extension, put the valve on its "off" position.

*-To close "hot" valve turn clockwise*

*-To close "cold" valve turn counter clockwise*

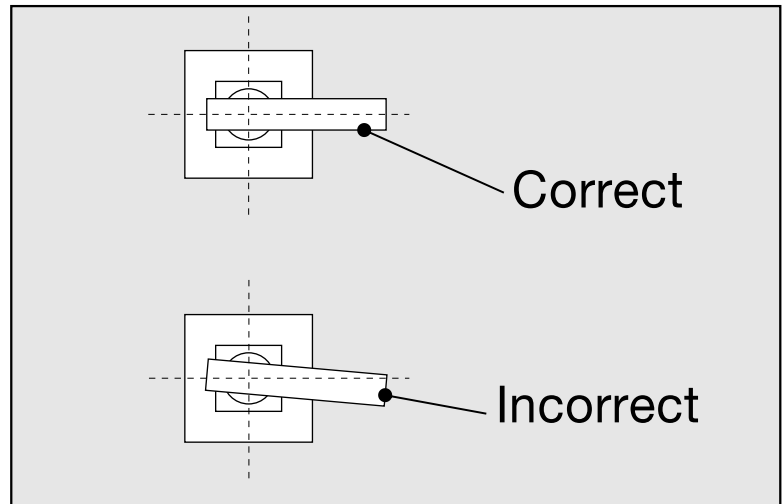


8- Place escouthcheon and handle on the brass extension.



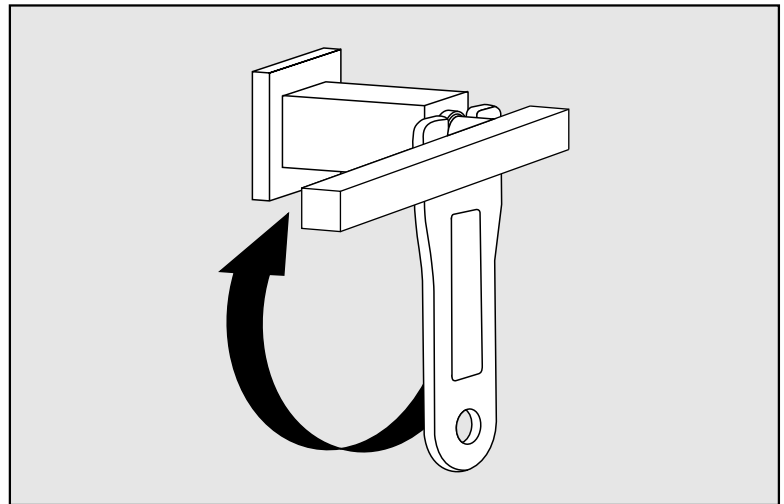
## Dominic lever *plus* Wall-mounted lavatory set - Line 85L

9 - After placing the handle you must control the installation position (see *picture*).



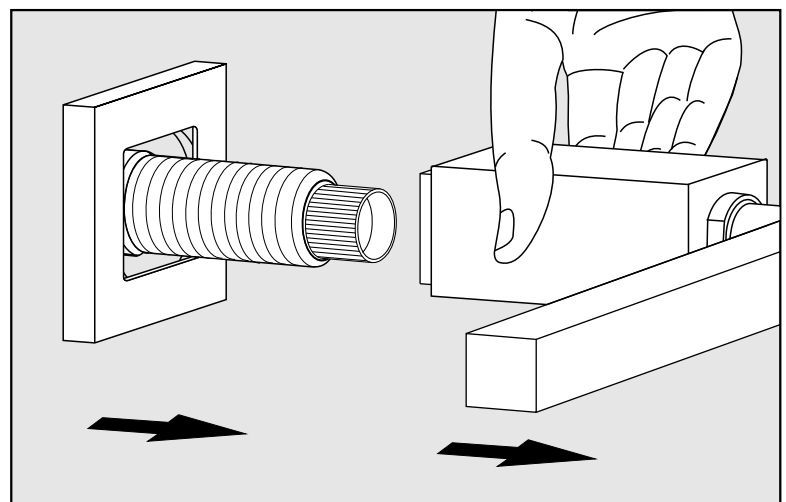
10 -Once the handle is on position, use the provided wrench to adjust the escutcheon.

*Make sure the escutcheon matches paralelly with the handle.*



### **To correct handle position:**

11 - If the handle isn't in the correct position remove it.

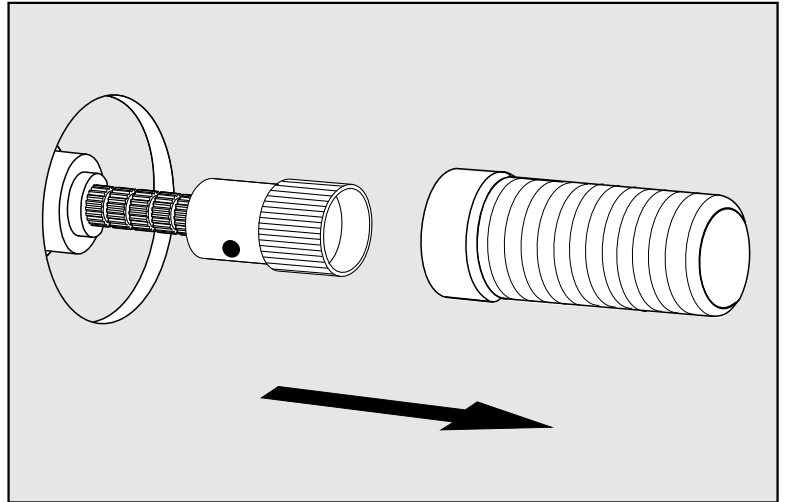


---

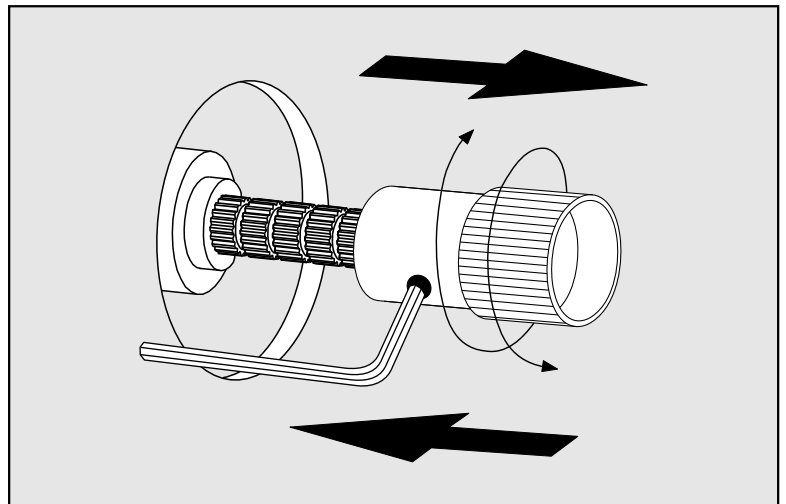
## Dominic lever *plus* Wall-mounted lavatory set - Line 85L

---

12- Remove also the brass extension.



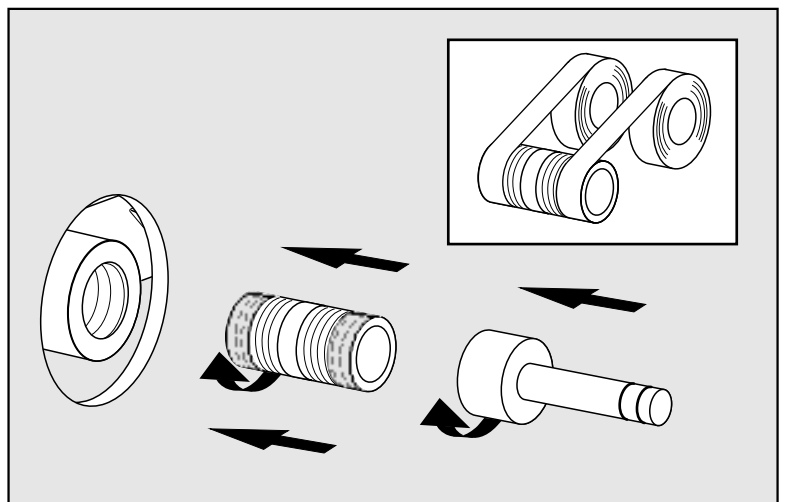
13- Remove, rotate, and reinstall the connector. And restart since point 6.



### **Spout instalation:**

14 - Use the ½" NPT pipe nipple connector to engage the FV203.BASE body with the spout connector.

*Remember to apply sealant tape to the pipe niple.*



## Dominic lever *plus* Wall-mounted lavatory set - Line 85L

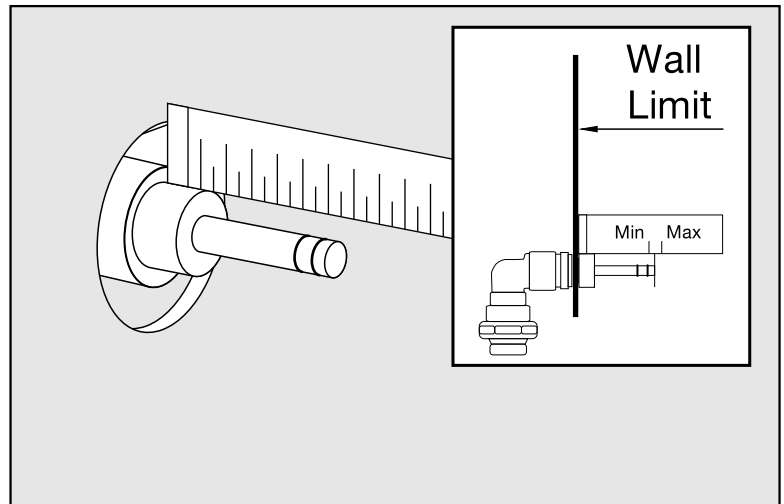
15 - Once placed the spout connector use a ruler to check the installation distance against the wall.

*MIN: 1 1/4" (32 mm)*

*MAX: 1 3/4" (45 mm)*

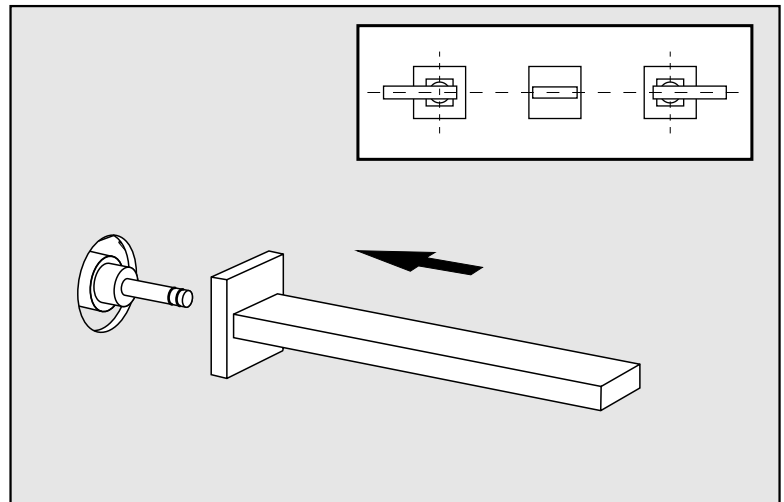
*According to the measured distance could be necessary to choose other size of the "NPT pipe nipple" (not provided).*

*\*Maximum and minimum distances are in millimeters, measurements in inches are for reference only.*

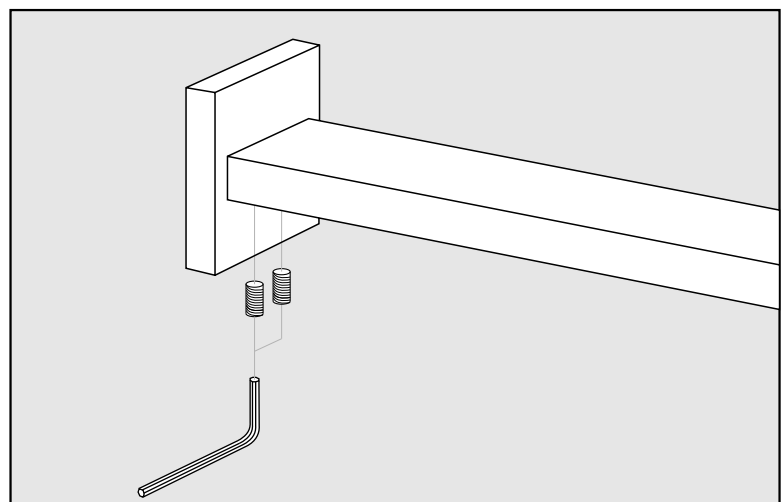


16 - To install the spout place it on the spout connector (is not necessary to thread it).

*Make sure the spout matches paralely with the horizontal line wich was used to place all the pieces of the FV203/85L.0 set.*



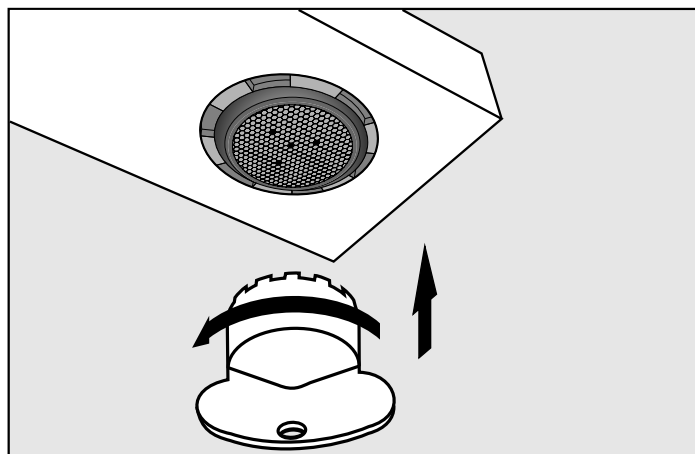
17- Once the spout is on the wished position, tight it with the big allen wrench using the screws located on the lower face of the spout, near to the escutcheon.



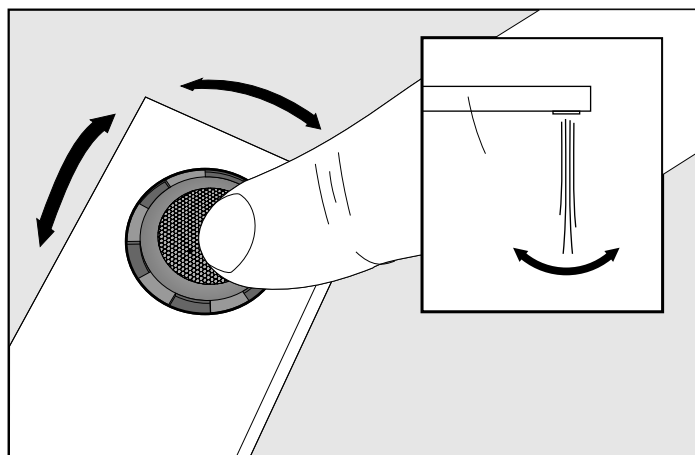


**Nozzle usage instructions:**

*To clean the nozzle use the provided key to take it out.*



*The nozzle position can be modified to change waterflow direction. To change it push the nozzle with your finger.*



## **Cleaning recommendations**

It is recommended to wipe faucets dry with a soft cloth after use to avoid spots left by mineral deposits when water evaporates.

Avoid harsh and abrasive cleaners on all faucet surfaces.

Use only a soft damp cloth with mild liquid soap to clean the faucet surfaces of all finishes including coated polished brass, gold, pewter, etc.

Painted and plated surfaces alike, should be coated regularly with a thin protective film. Non-abrasive liquid car wax is recommended.

---

## **FRANZ VIEGENER**

a FV S.A. Company

4000 Porett Drive • Gurnee Illinois 60031

Phone 847-244-1234 / Fax 847-244-1259

---

**FRANZ VIEGENER** reserve the right to make revisions without notice in the design of faucets and bathroom accessories or in packaging.  
**FOLFV203/85L0** / Edition No 1 \_ June, 2010.