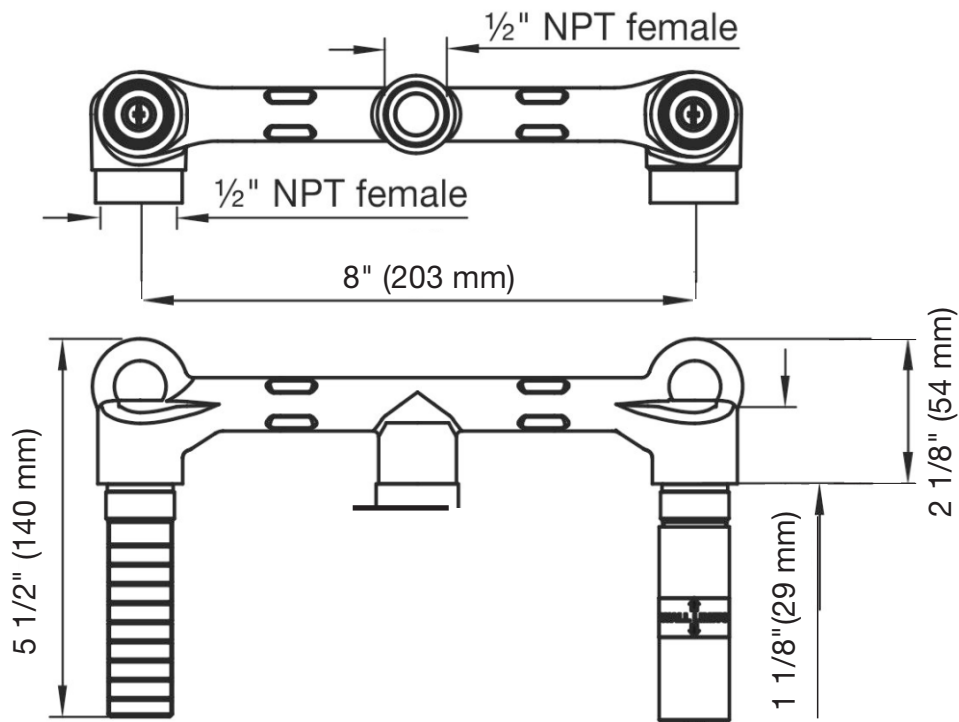
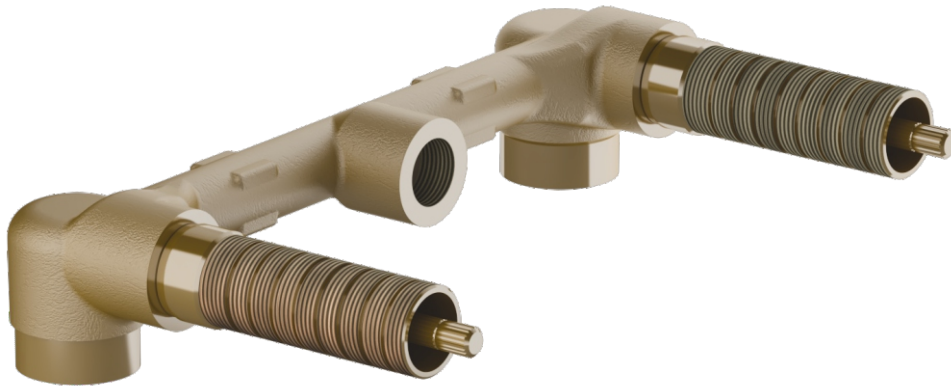


# FV203.BASE

Wall lavatory rough-in valve only (1/2" Fem NPT)

Base para lavatorio de pared con conexión 1/2" Fem NPT

FRANZ  
VIEGENER



COMPLIANCE  
CERTIFICACIONES

4000 Porett Drive, Gurnee, Illinois 60031  
Phone 847-244-3837 / Fax 866-245-9318  
[www.franzviegener.com](http://www.franzviegener.com) / [info@franzviegener.com](mailto:info@franzviegener.com)

