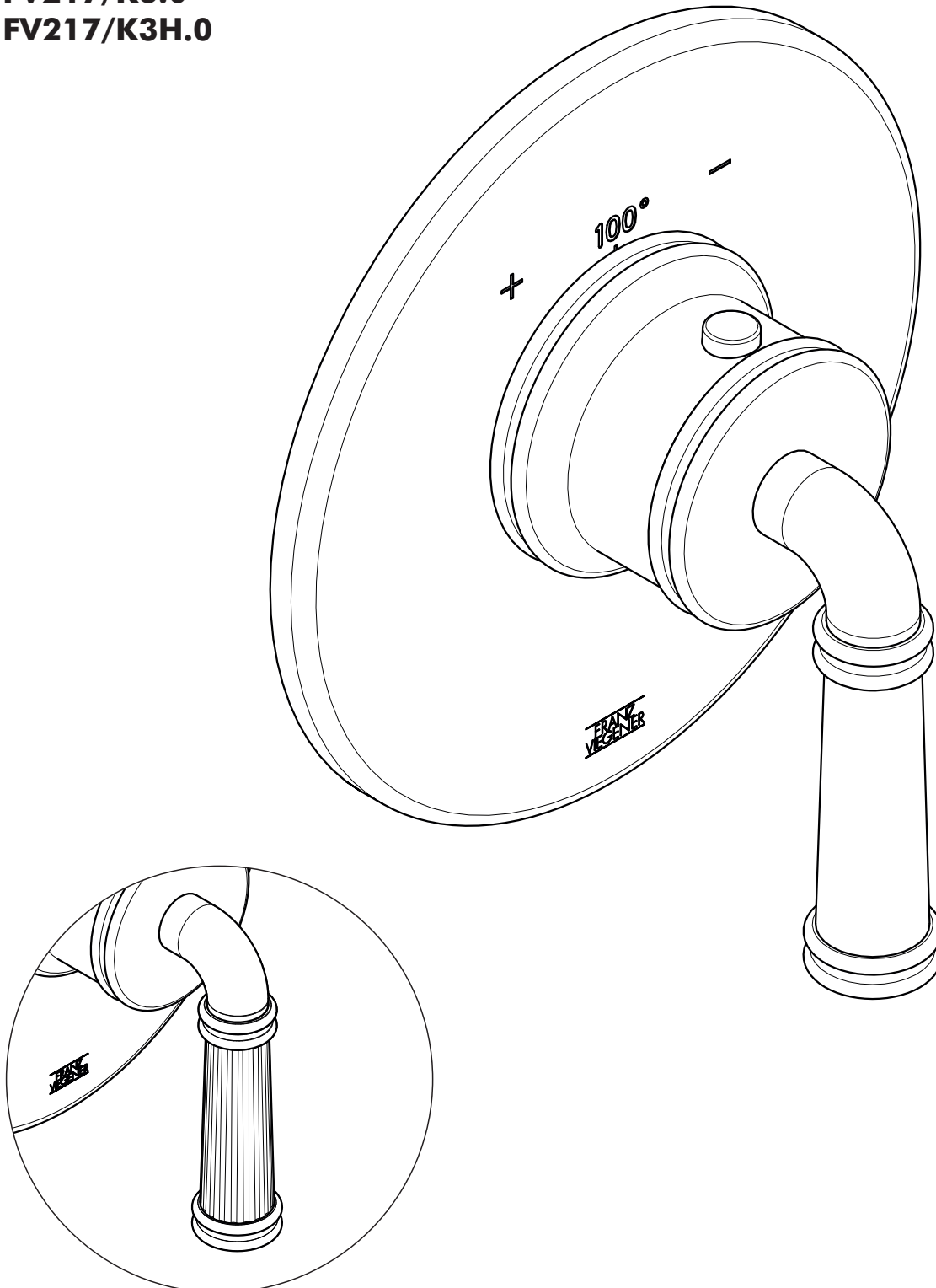


Installation and maintenance / Instalación y mantenimiento

Before connecting the faucet to the water supply, flush the tubing thoroughly to eliminate any residue /
Antes de conectar la grifería a la distribución de agua, purgue muy bien la cañería a fin de eliminar partículas extrañas.

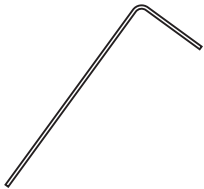
Trim for 3/4" thermostatic valve / Vista para válvula termostática 3/4"

FV217/K3.0
FV217/K3H.0



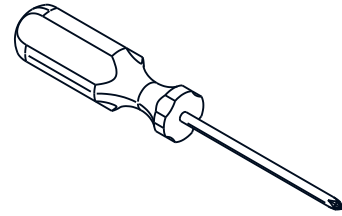
Required installation tools / Herramientas necesarias para la instalación

Provided / Provistas



Allen Wrench
Llave Allen

Not Provided / No Provistas



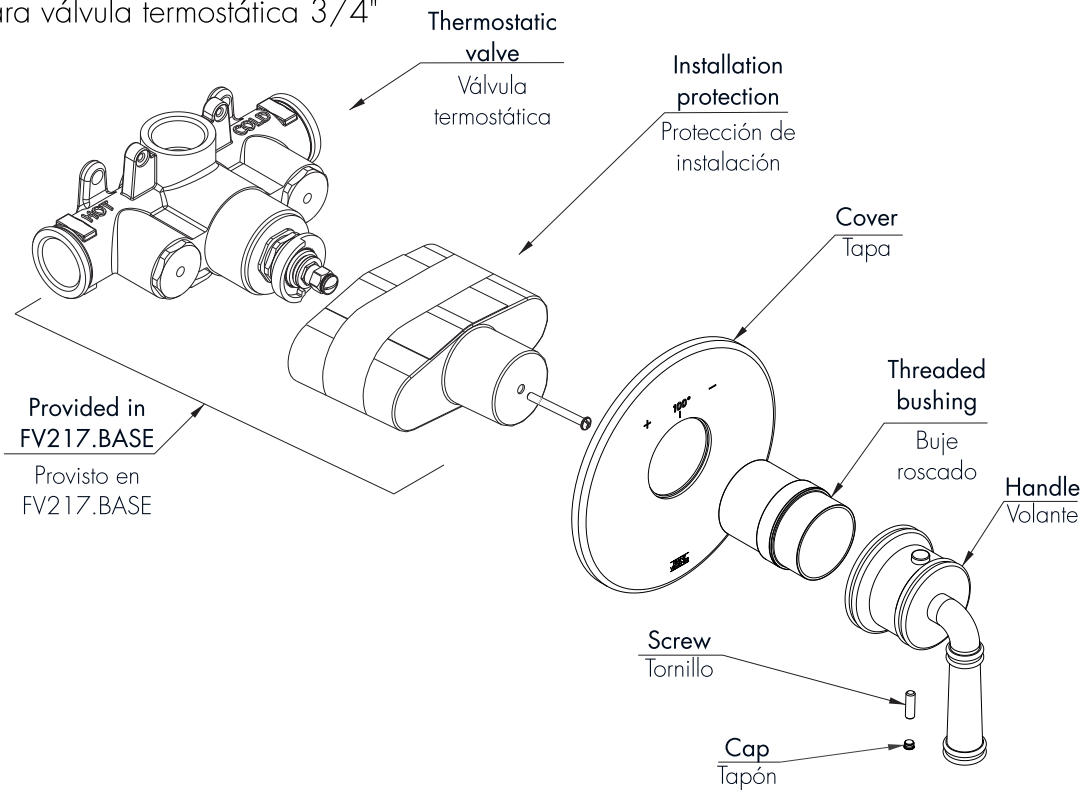
Phillips screwdriver
Destornillador Phillips

Exploded view / Despiece

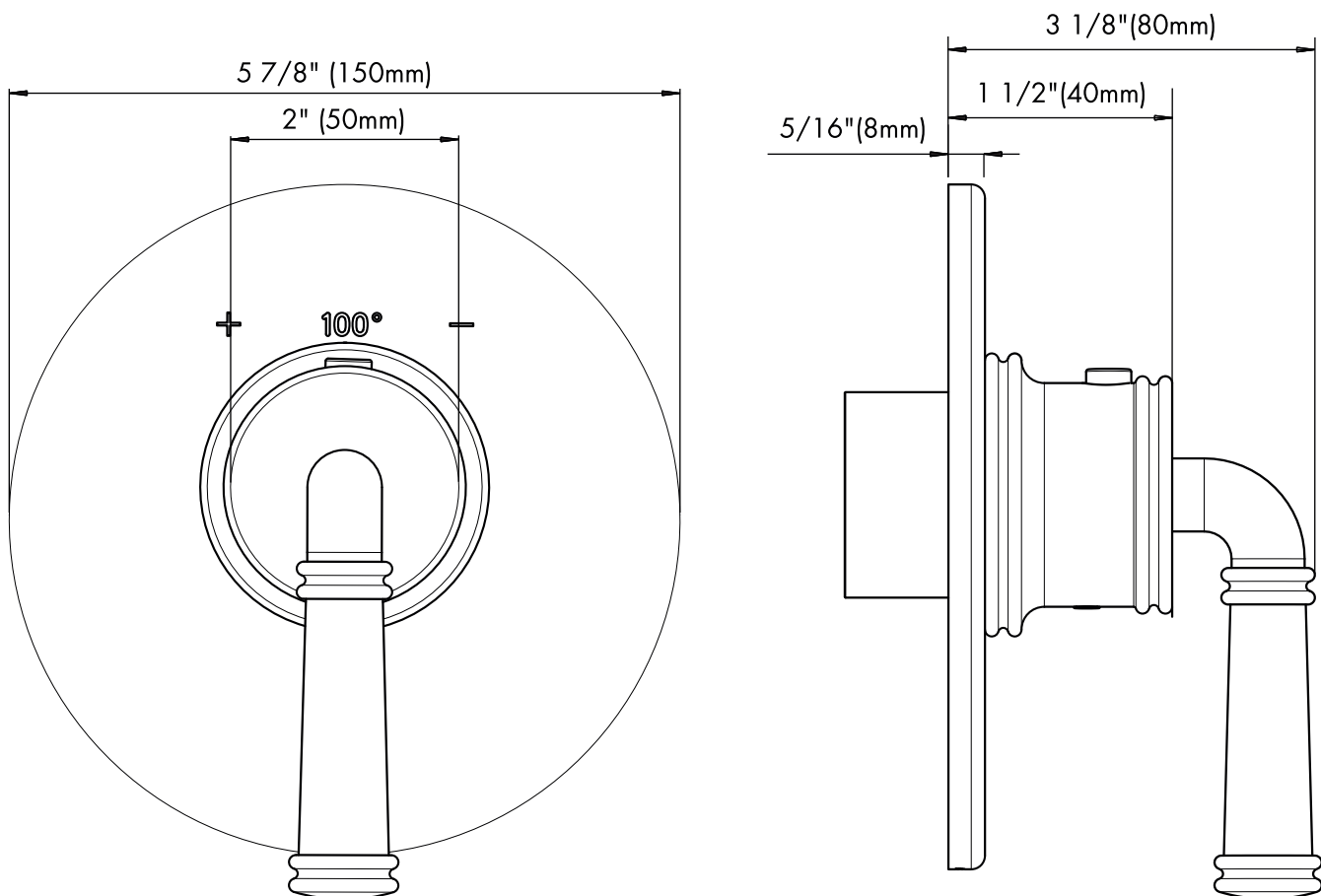
FV217/K3.0

Trim for 3/4" thermostatic valve

Vista para válvula termostática 3/4"

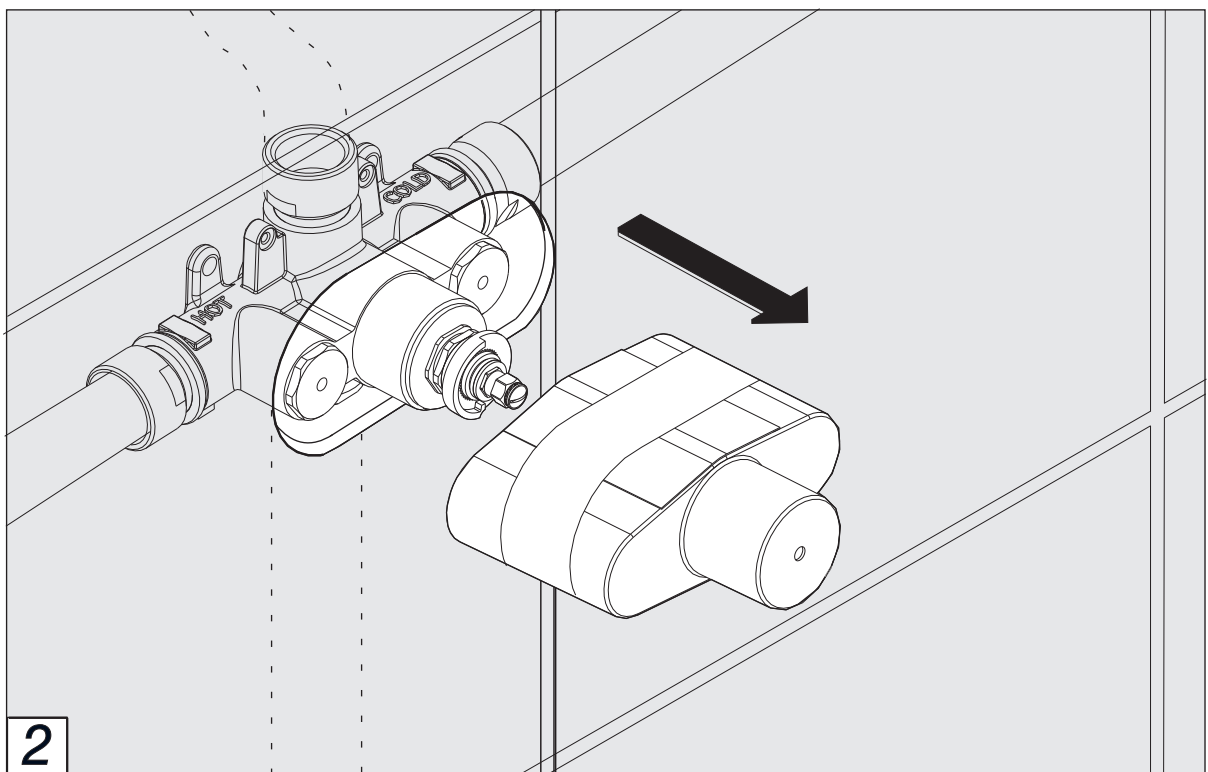
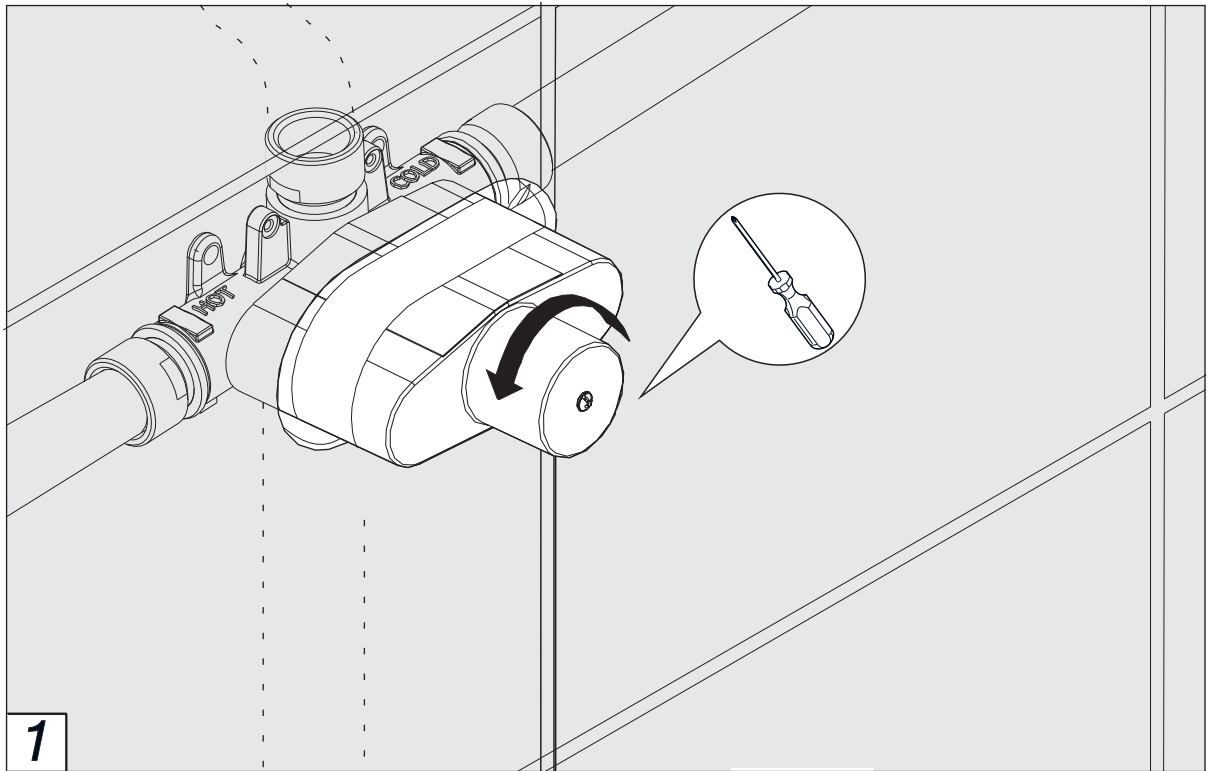


Measures / Medidas



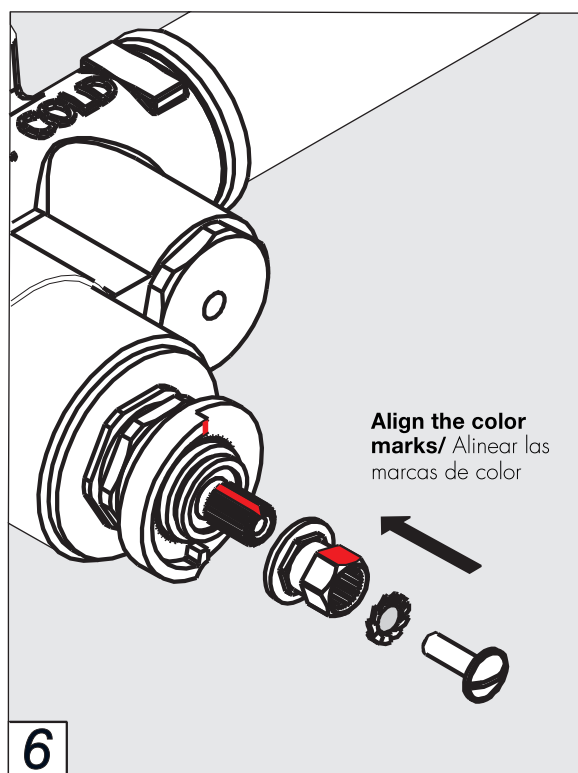
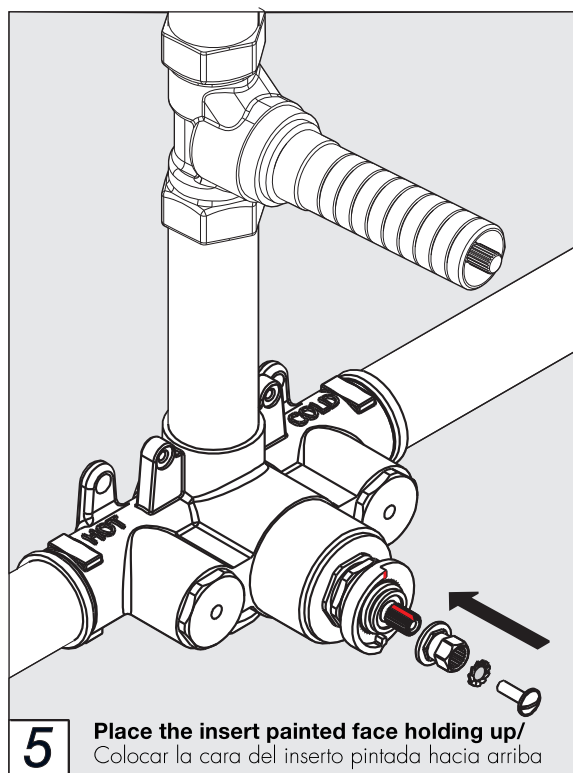
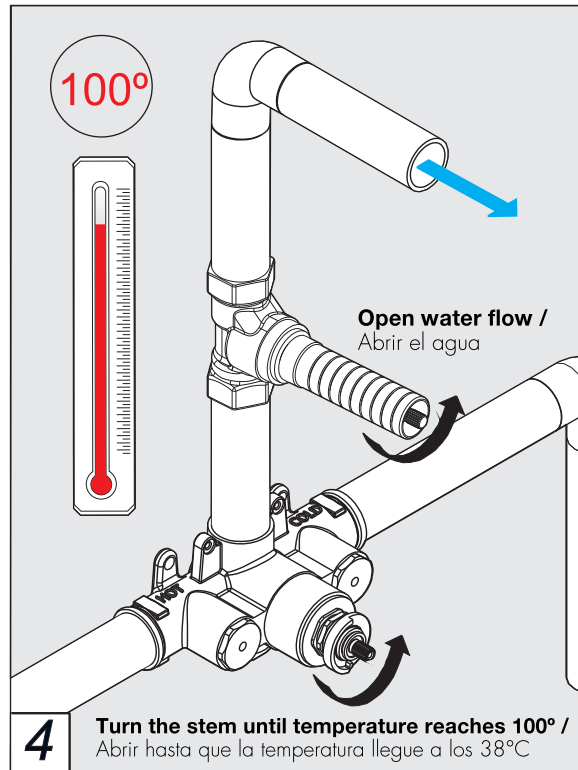
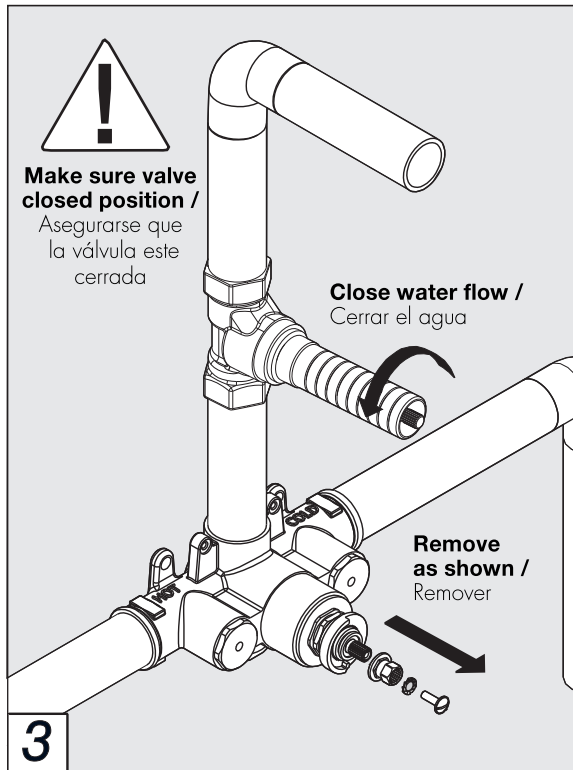
Installation / Instalación

Remove the protection / Remover la protección



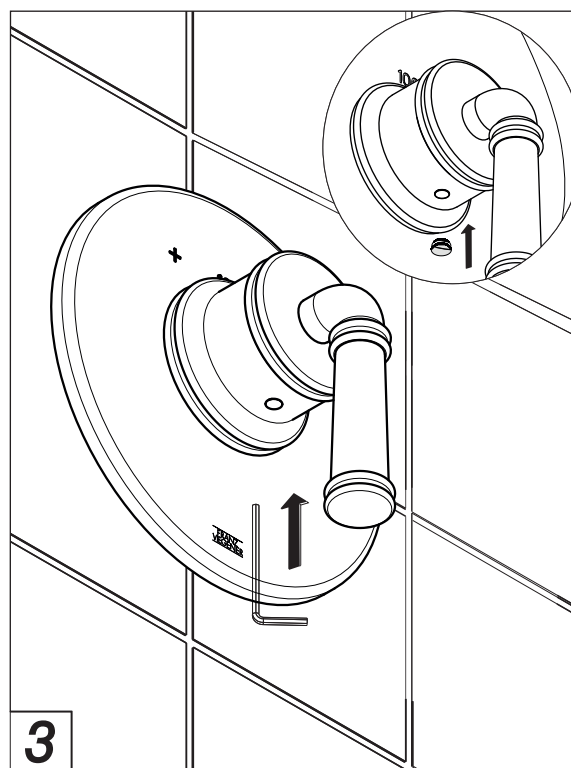
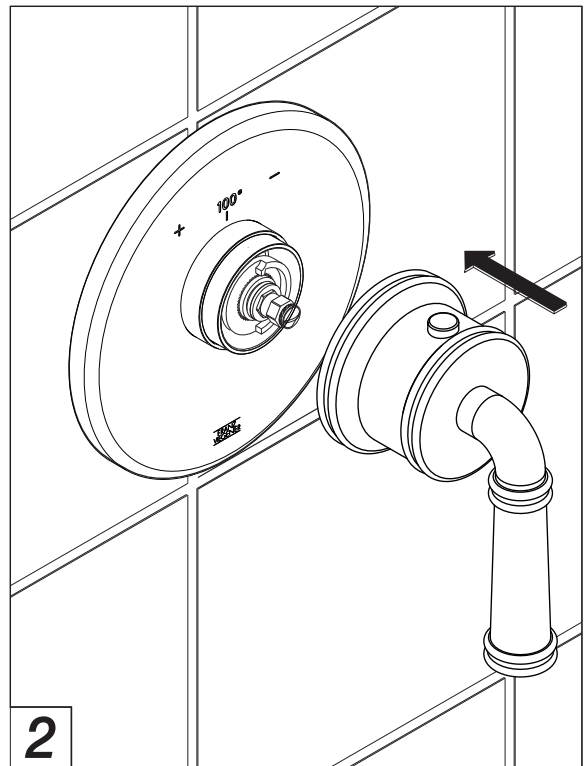
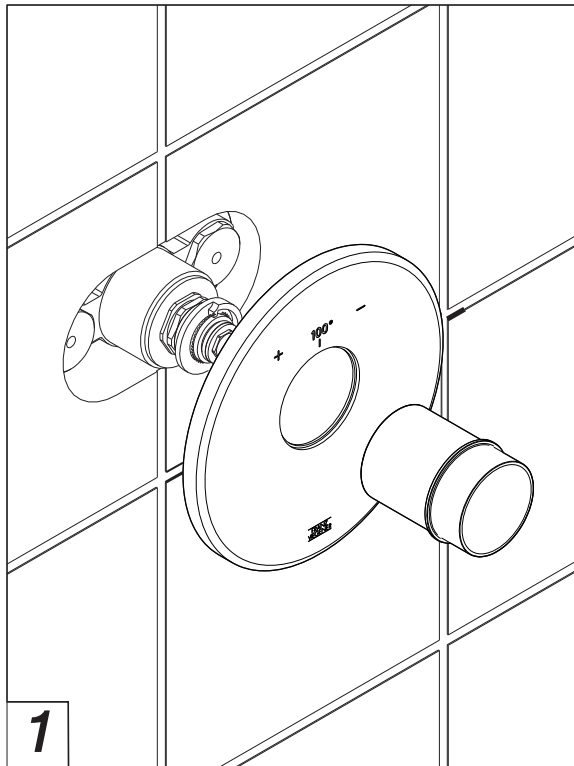
Installation / Instalación

Make sure valve closed position and water temperature /
Asegurarse que la válvula este cerrada y la temperatura del agua



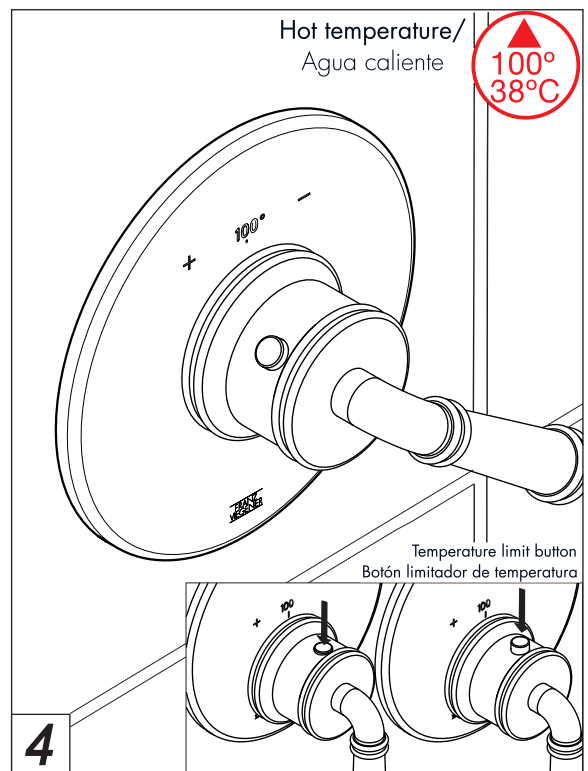
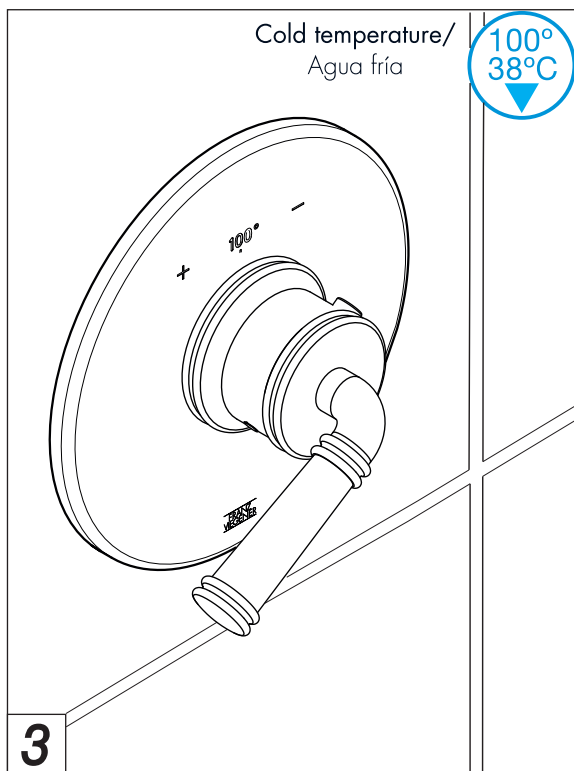
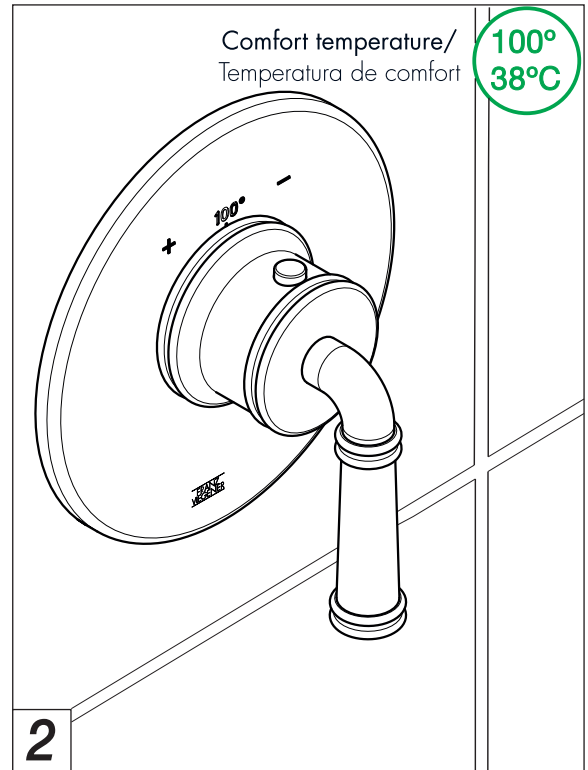
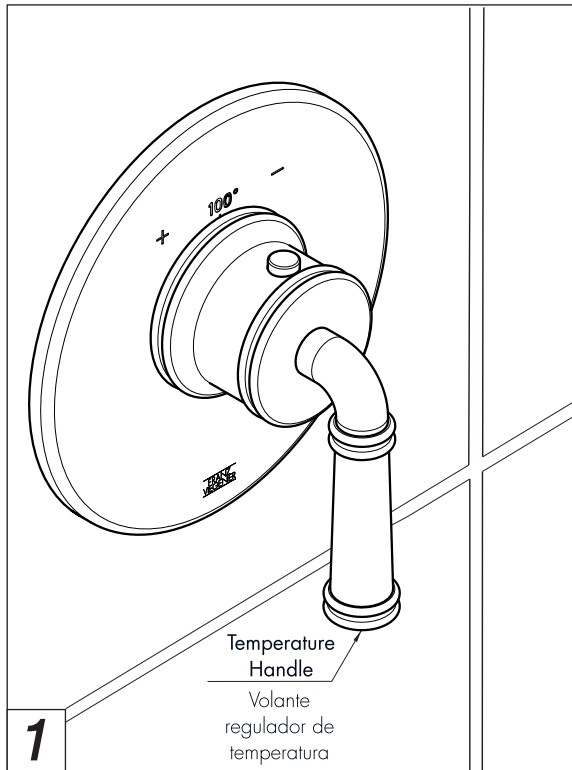
Installation / Instalación

Thermostatic trim installation / Instalación de la vista



Function / Función

Temperature limit button / Botón limitador de temperatura







PRODUCT WARRANTY

Franz Viegener's *Limited Lifetime Warranty* insures that their products are free from defects in material and workmanship. This warranty is provided only to the original consumer/purchaser for the duration of home ownership.

Excluded from this warranty are parts made of wood or other non-metallic material, and all drain assembly finishes. Oil rubbed bronze, matte white and matte black have 2 years limited warranty from the date of purchase.

Any damage due to improper installation, abuse, misuse or accident will void this warranty.

Cleaning faucets with abrasive or chemical cleaners will void the finish warranty.

Warranty will be honored to original consumer/purchaser with proof of purchase/dated receipt.

If a defect is found under normal residential installation, we will, at our discretion either repair, provide a replacement part, replace the entire product, or make the appropriate adjustment.

Franz Viegener is not responsible for labor charges, installation, or other consequential costs. In no event shall the responsibility of Franz Viegener exceed the purchase price of the product.

Non-Residential Warranty - Limited to 3 years for material and workmanship, 1 year warranty on oil rubbed bronze, matte black and matte white finishes. With proper care, your Franz Viegener product will keep its attractive appearance for many years. To assure the product continues to look its best, we recommend using the following care and cleaning procedures.

All finishes should be cleaned regularly with a clean, soft, damp cloth to remove water spots. This will keep mineral deposits from building up on the surface. Do not use abrasive cleaners, scouring pads, or cleaners containing ammonia or bleach.

CHROME FINISH - never use products containing chloride acid.

PVD FINISHES - never use Scotch Brand type scouring pads, nor products containing chloride acid.

POWDER COAT FINISHES - never use abrasives, alcohol, ether or ammonia products.

IMPLIED WARRANTIES, INCLUDING THOSE OF MERCHANTABILITY AND FITNESS FOR A PARTICULAR USE, ARE EXPRESSLY LIMITED IN DURATION TO THE DURATION OF WARRANTY. FRANZ VIEGENER AND/OR RESELLER DISCLAIMS ANY RESPONSIBILITY FOR SPECIAL, INCIDENTAL OR CONSEQUENTIAL DAMAGES.



FRANZ VIEGENER Customer Service Department (800) 446-9700

Phone 847-244-3837 / Fax 847-249-4049 - info@franzviegener.com

4000 Porett Drive - Gurnee, IL, 60031-USA.

Follow us on social media!    



Scan the code to get more information about this line.

www.franzviegener.com