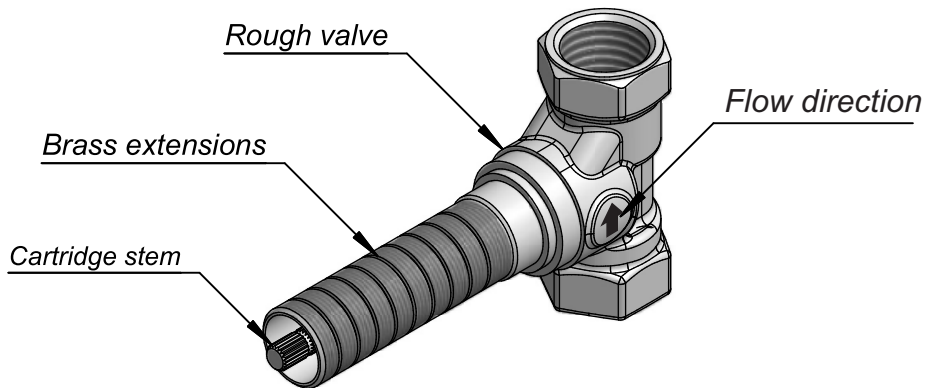
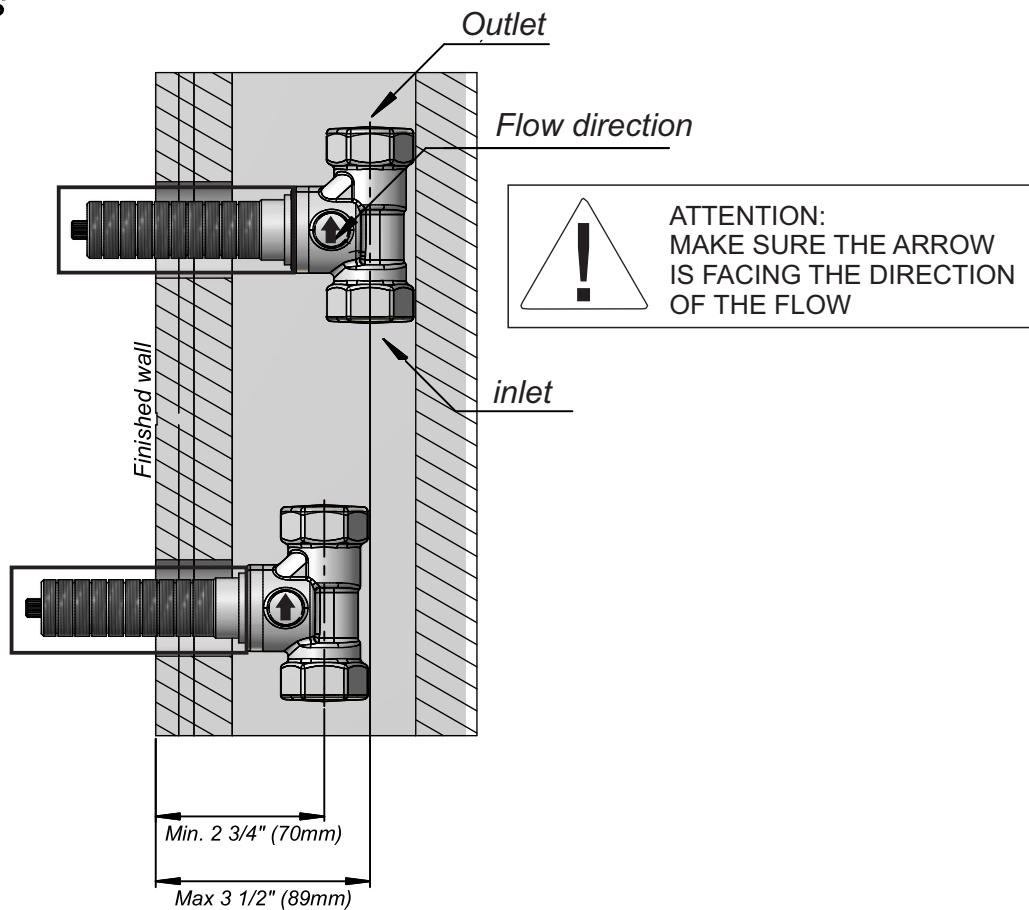


FV480.BASE 19 - 3/4" Stop valve / Volume control



Installations



Warning:

To prevent severe damage to valve, any solder/braze process must be performed a min. of 4" from ports.

FRANZ VIEGENER

a FV S.A. Company

4000 Porett Drive . Gurnee Illinois 60031

Phone 847-244-1234/Fax 847-244-1259

FRANZ VIEGENER reserve the right to make revisions with out notice in the desing of faucets and bathroom accessories or in packaging.
FOLLFV480BASE / Edition N° 2 Aug. 2013

