

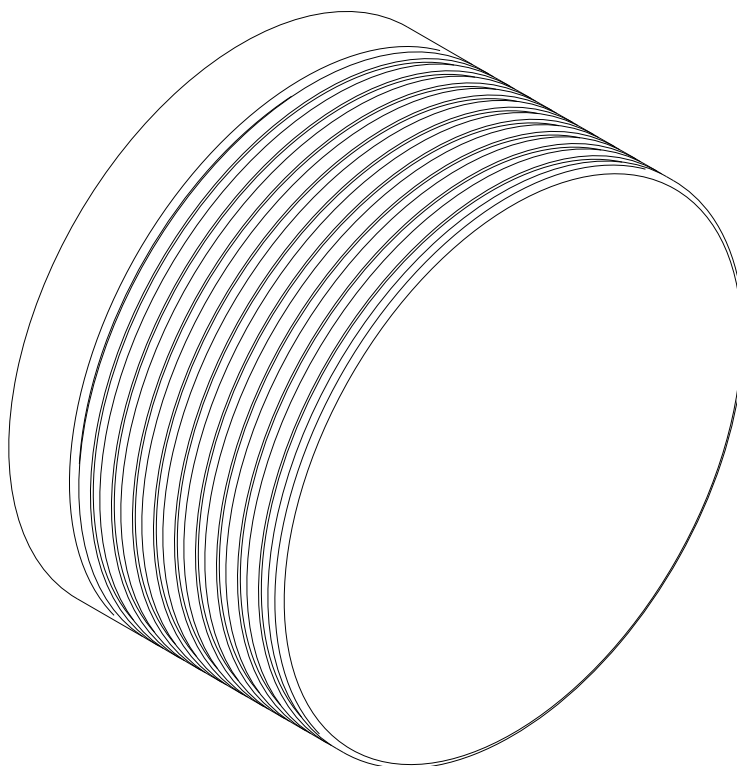
Before connecting the faucet to the water supply, flush the tubing
thoroughly to eliminate any residue /
Antes de conectar la grifería a la distribución de agua, purgue muy bien la cañería
a fin de eliminar partículas extrañas.

FV480K.0-Volume control trim / Llave de paso

FV480R.0-Volume control trim / Llave de paso

FV480D.0-Volume control trim / Llave de paso

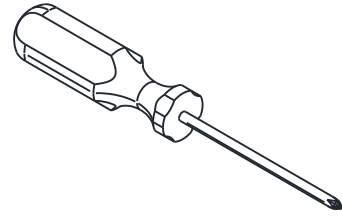
FV480V.0-Volume control trim / Llave de paso



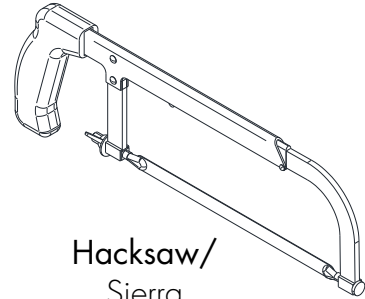
Required installation tools / Herramientas necesarias para la instalación

Provided / Provistas

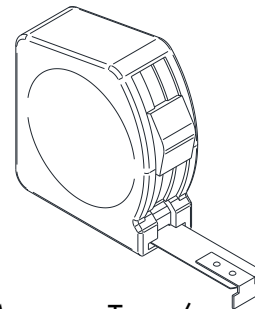
Not Provided / No Provistas



Phillips screwdriver
Destornillador Phillips



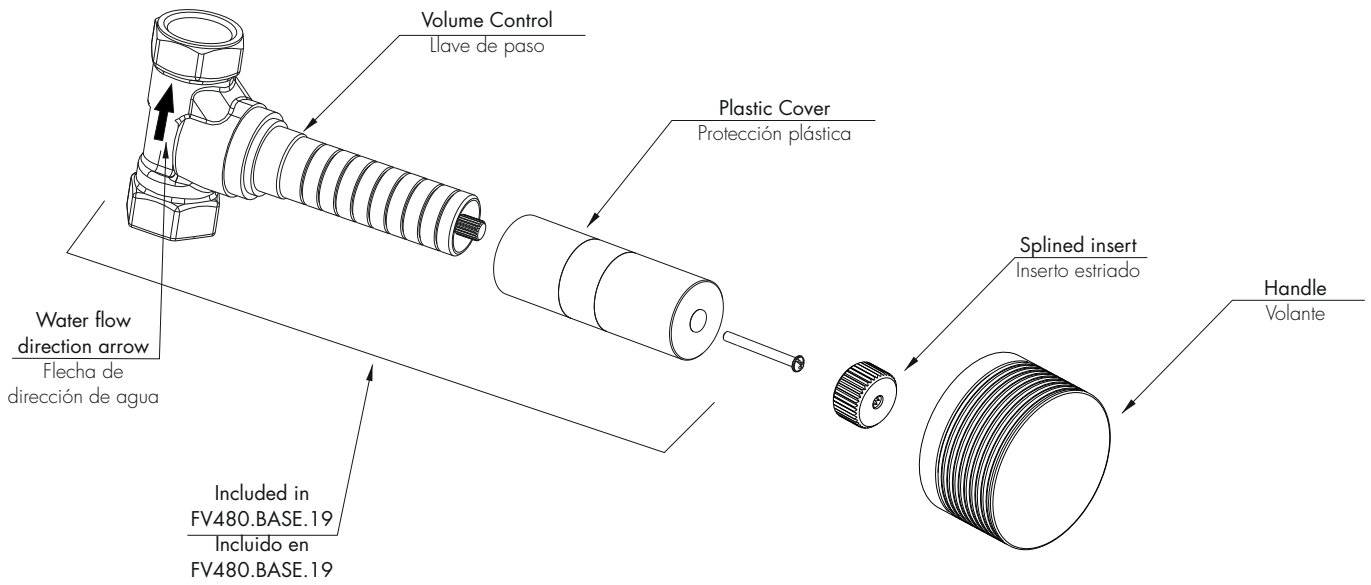
Hacksaw/
Sierra



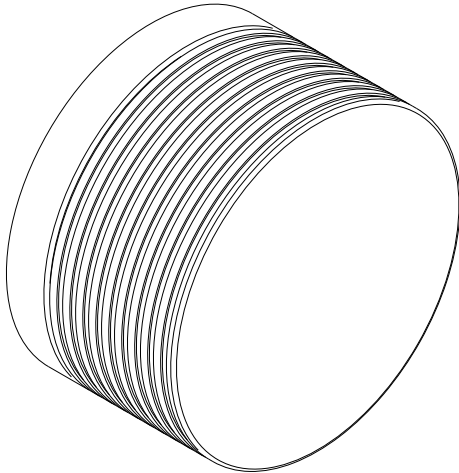
Measure Tape/
Cinta métrica

FV480

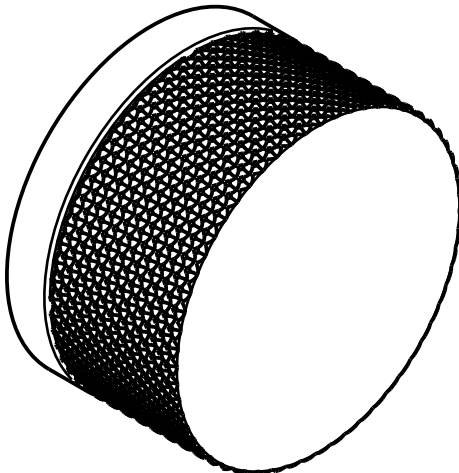
Volume control trim / Llave de paso



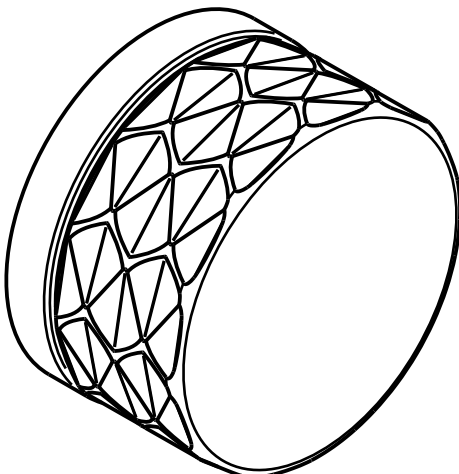
FV480R.0



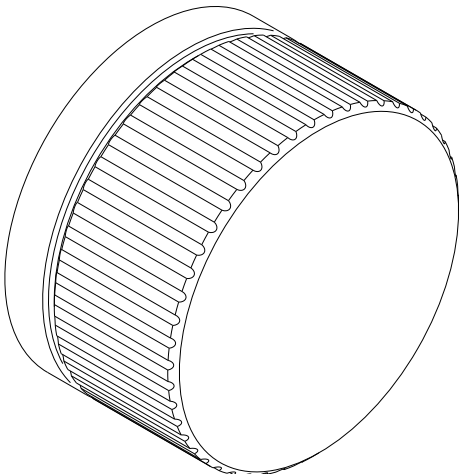
FV480K.0



FV480D.0

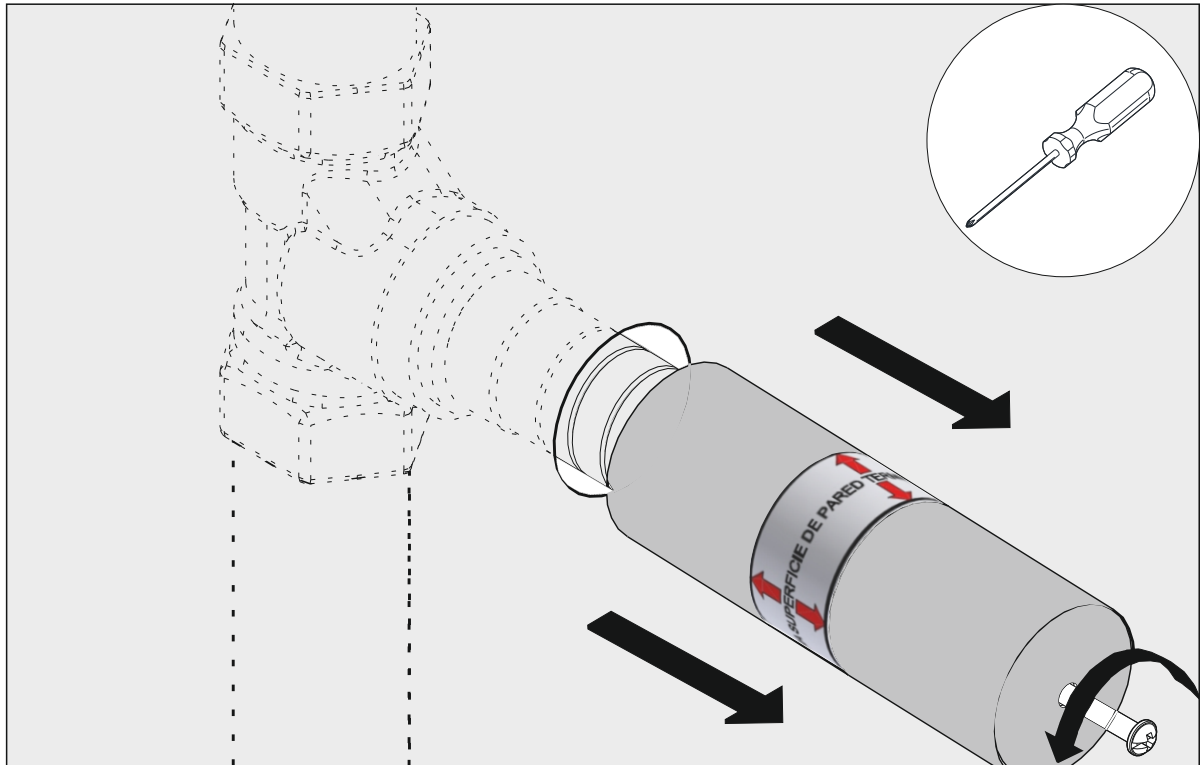


FV480V.0



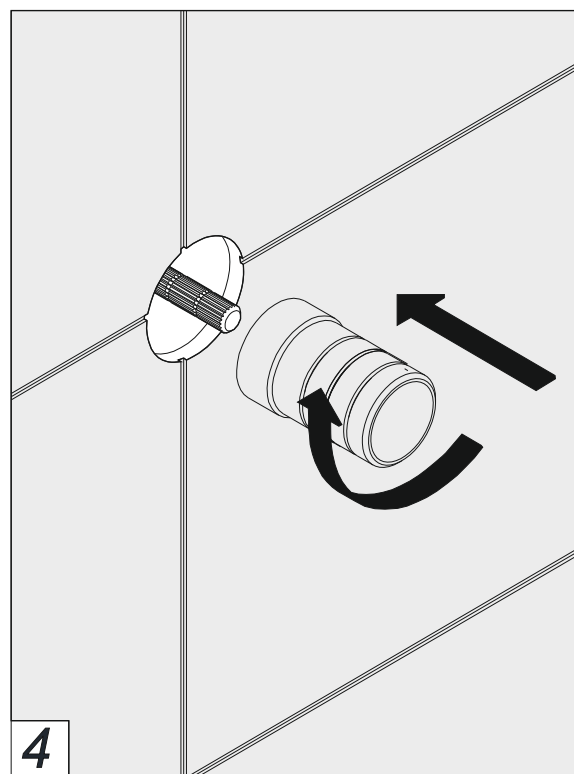
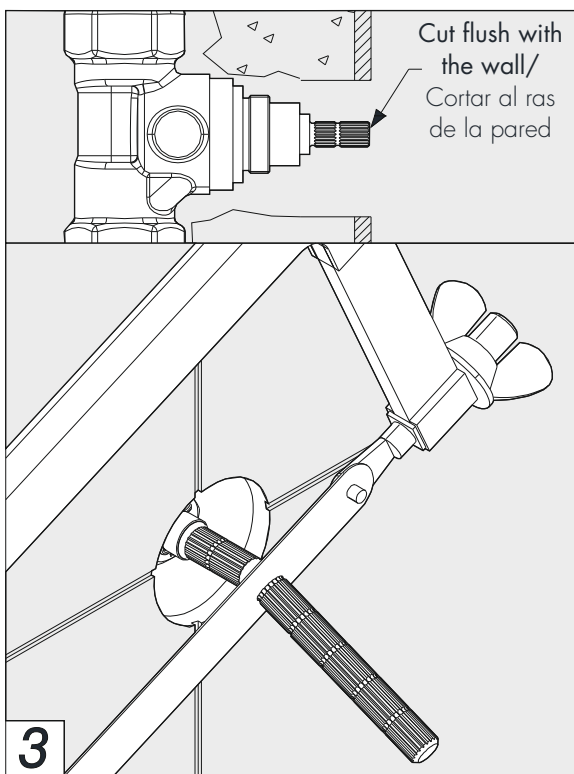
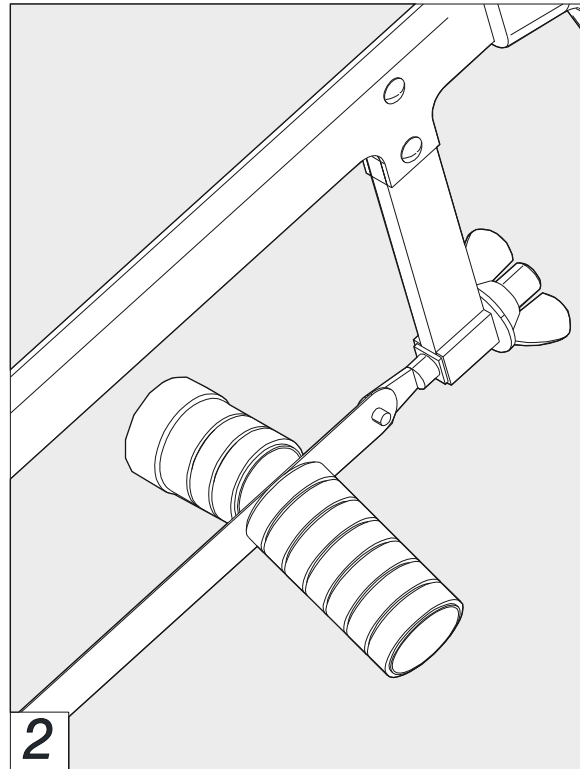
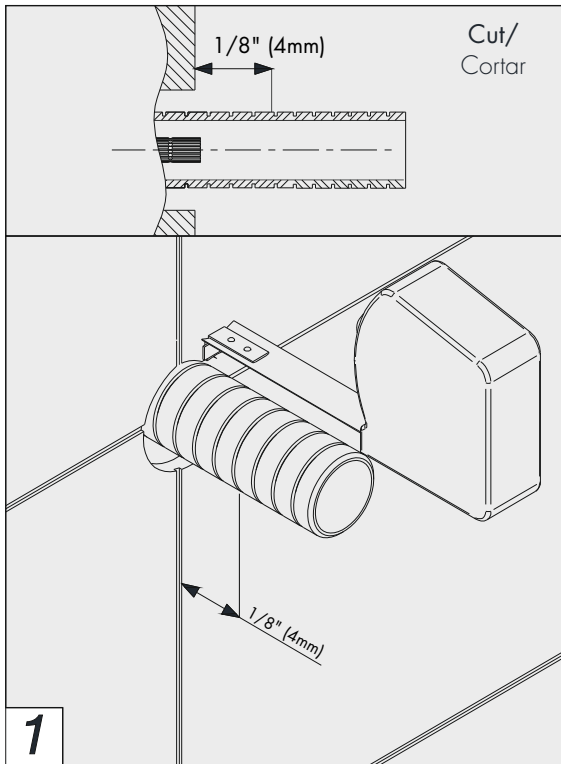
Installation / Instalación

Remove the protection / Remover la protección



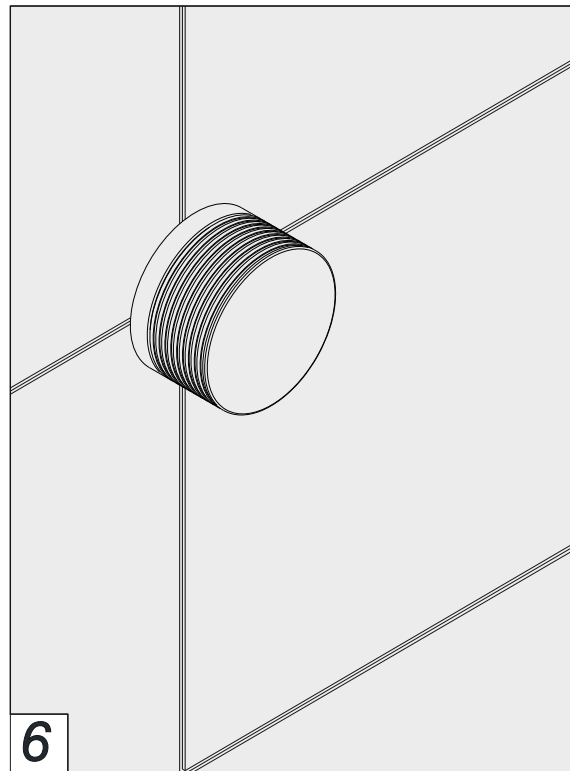
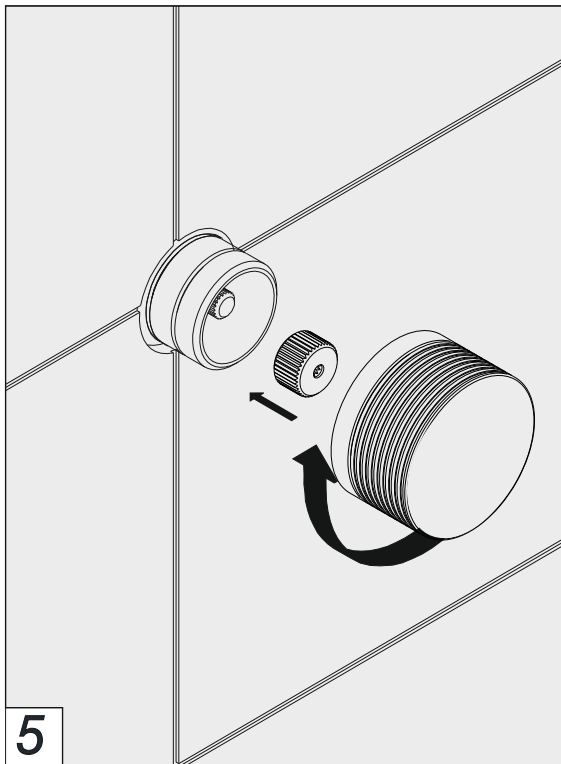
Installation / Instalación

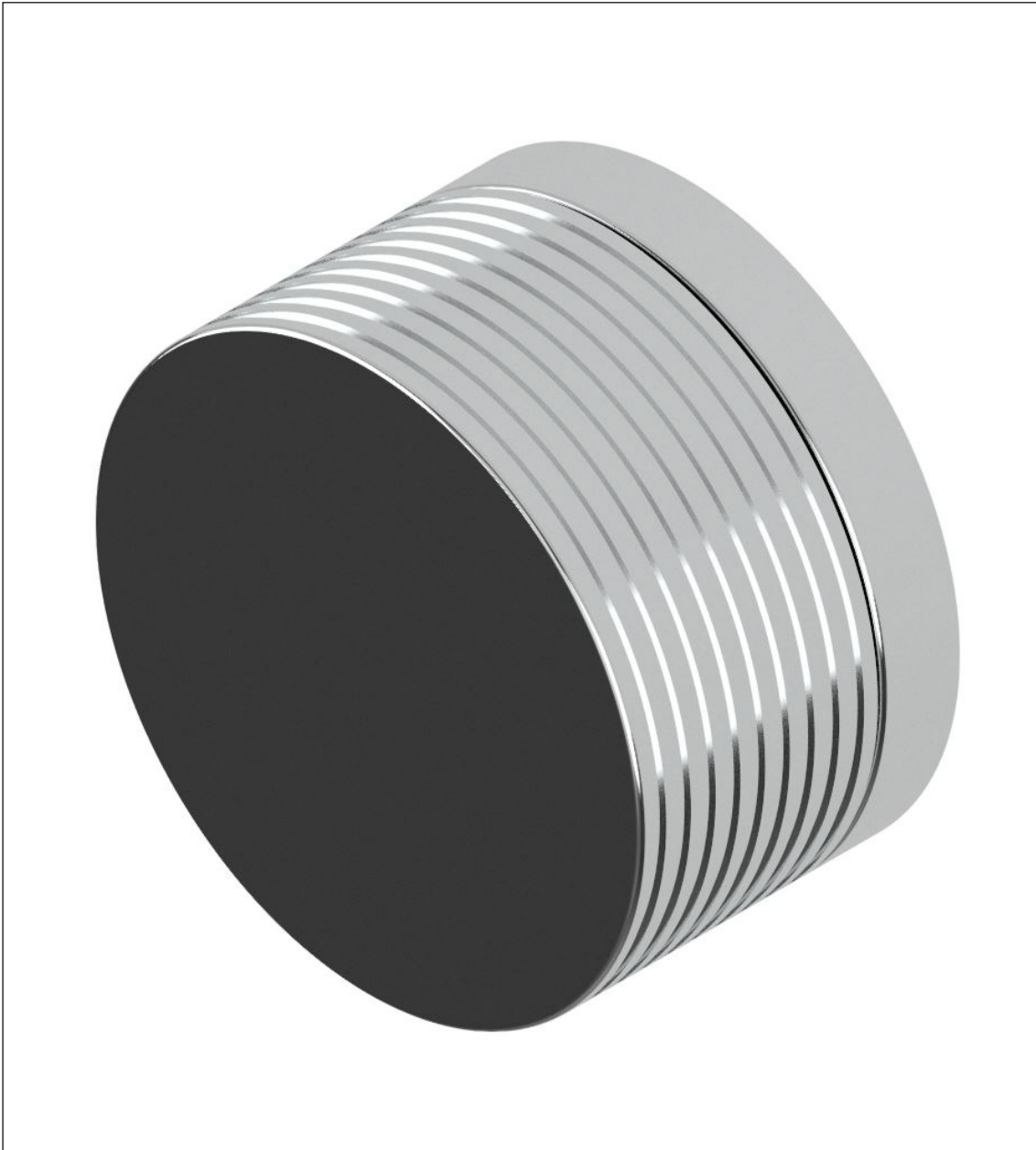
Volume control trim / Vista para llave de paso



Installation / Instalación

Volume control trim / Vista para llave de paso





PRODUCT WARRANTY

Franz Viegener's *Limited Lifetime Warranty* insures that their products are free from defects in material and workmanship. This warranty is provided only to the original consumer/purchaser for the duration of home ownership.

Excluded from this warranty are parts made of wood or other non-metallic material, and all drain assembly finishes. Oil rubbed bronze, matte white and matte black have 2 years limited warranty from the date of purchase.

Any damage due to improper installation, abuse, misuse or accident will void this warranty.

Cleaning faucets with abrasive or chemical cleaners will void the finish warranty.

Warranty will be honored to original consumer/purchaser with proof of purchase/dated receipt.

If a defect is found under normal residential installation, we will, at our discretion either repair, provide a replacement part, replace the entire product, or make the appropriate adjustment.

Franz Viegener is not responsible for labor charges, installation, or other consequential costs. In no event shall the responsibility of Franz Viegener exceed the purchase price of the product.

Non-Residential Warranty - Limited to 3 years for material and workmanship, 1 year warranty on oil rubbed bronze, matte black and matte white finishes. With proper care, your Franz Viegener product will keep its attractive appearance for many years. To assure the product continues to look its best, we recommend using the following care and cleaning procedures.

All finishes should be cleaned regularly with a clean, soft, damp cloth to remove water spots. This will keep mineral deposits from building up on the surface. Do not use abrasive cleaners, scouring pads, or cleaners containing ammonia or bleach.

CHROME FINISH - never use products containing chloride acid.

PVD FINISHES - never use Scotch Brand type scouring pads, nor products containing chloride acid.

POWDER COAT FINISHES - never use abrasives, alcohol, ether or ammonia products.

IMPLIED WARRANTIES, INCLUDING THOSE OF MERCHANTABILITY AND FITNESS FOR A PARTICULAR USE, ARE EXPRESSLY LIMITED IN DURATION TO THE DURATION OF WARRANTY. FRANZ VIEGENER AND/OR RESELLER DISCLAIMS ANY RESPONSIBILITY FOR SPECIAL, INCIDENTAL OR CONSEQUENTIAL DAMAGES.



FRANZ VIEGENER Customer Service Department (800) 446-9700

Phone 847-244-3837 / Fax 847-249-4049 - info@franzviegener.com

4000 Porett Drive - Gurnee, IL, 60031-USA.

Follow us on social media!



Scan the code to get more information about this line.

www.franzviegener.us

FRANZ VIEGENER reserve the right to make revisions without notice in the design of faucets and bathroom accessories or in packaging.
FO-FV480 / August, 2019.