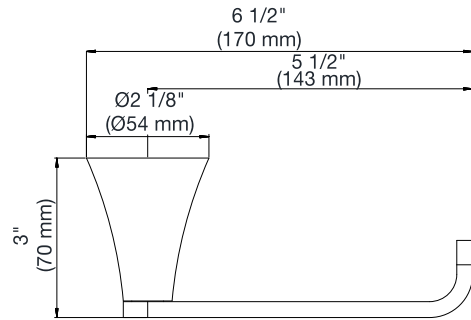


KONIC - FV167/K4

Toilet paper holder.
Portarrollo.

FRANZ
VIEGENER



FEATURES

CARACTERÍSTICAS

- All brass construction.
Producto realizado íntegramente en latón.

COLOR / FINISHES

COLOR / ACABADOS



PC
Polished Chrome.



PN
Polished Nickel.



BN
Brushed Nickel.



BG
Brushed Gold.



PG
Polished Gold.



RG
Rose Gold.



BK
Black Chrome.



UPB
Unlacked
Polished Brass

FLOW RATE

CAUDAL

COMPLIANCE

CERTIFICACIONES