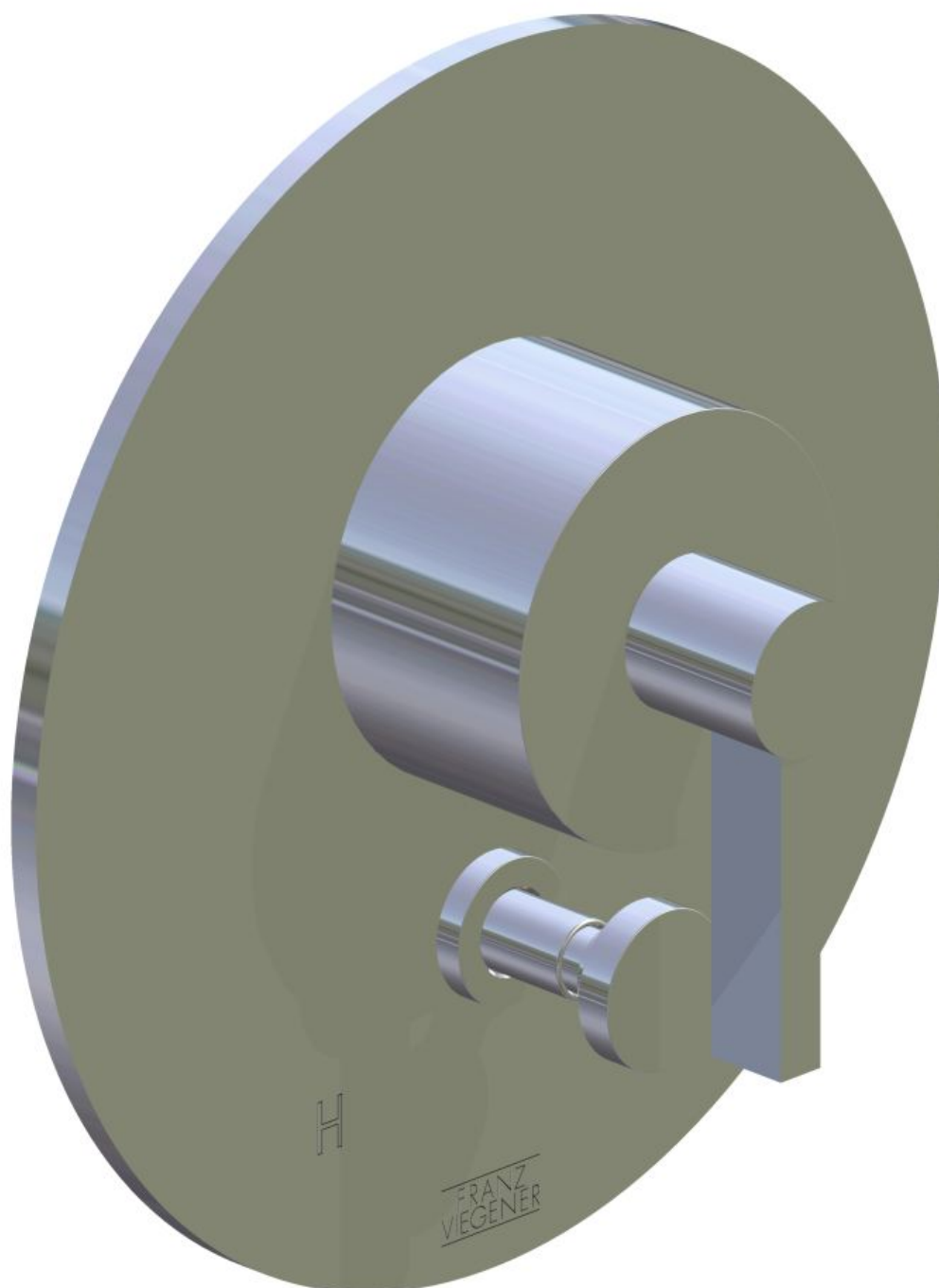


FRANZ VIEGENER

Lollipop

installation



CONGRATULATIONS !

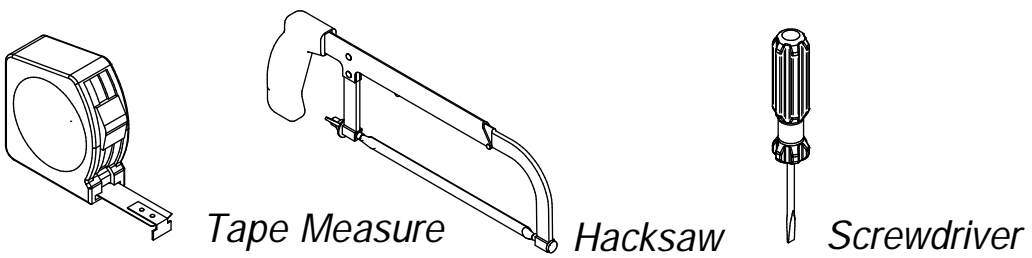
This product has been subjected to stringent test for its quality, performance and finish.

We guarantee years of trouble free operation.

We thank you choice and above all for the trust you are placing in us. This trust is what motivates us to improve every day.

Before connecting the faucet to the water supply, flush the tubing thoroughly to eliminate any residue.

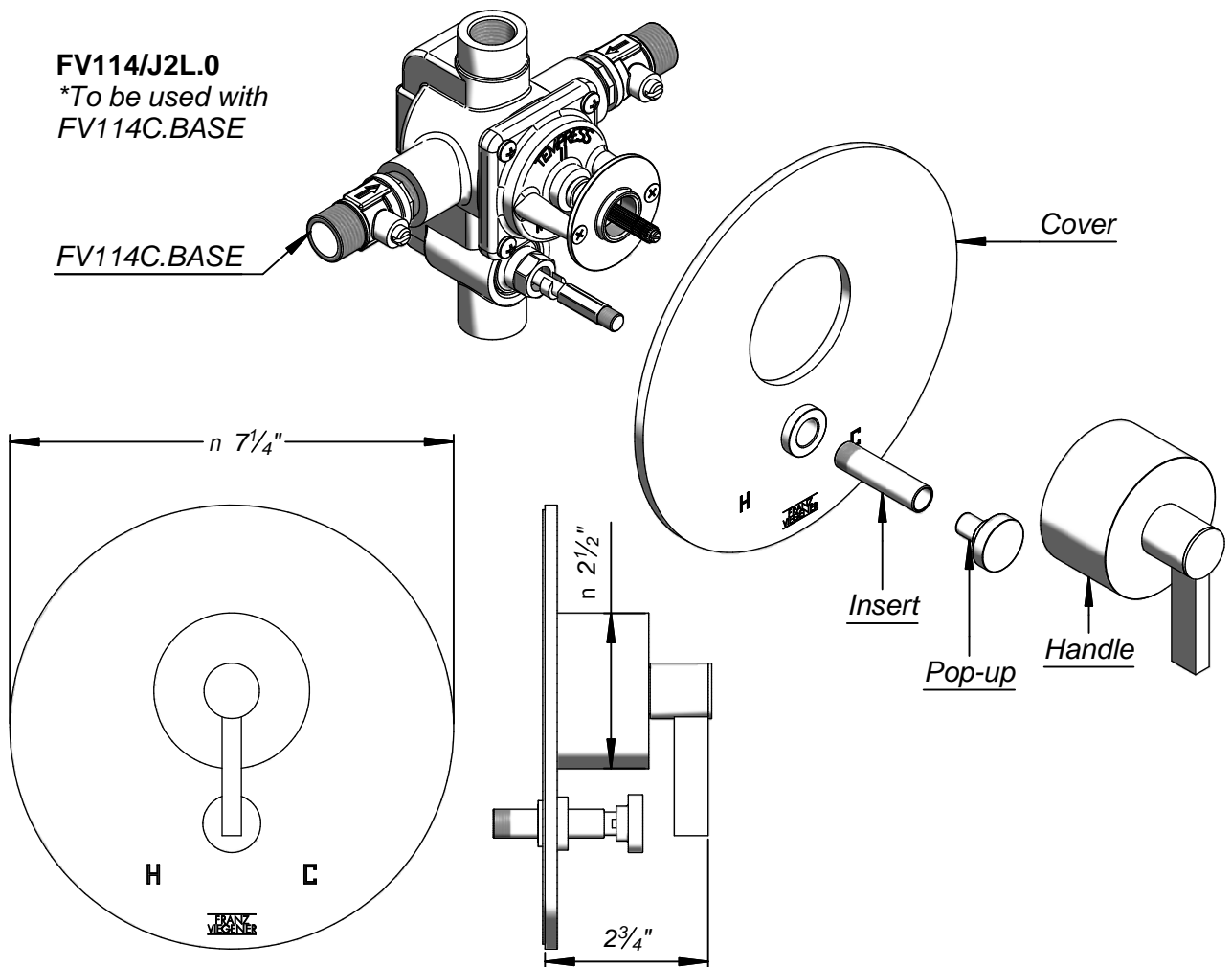
Required installation tools. (Not provided)



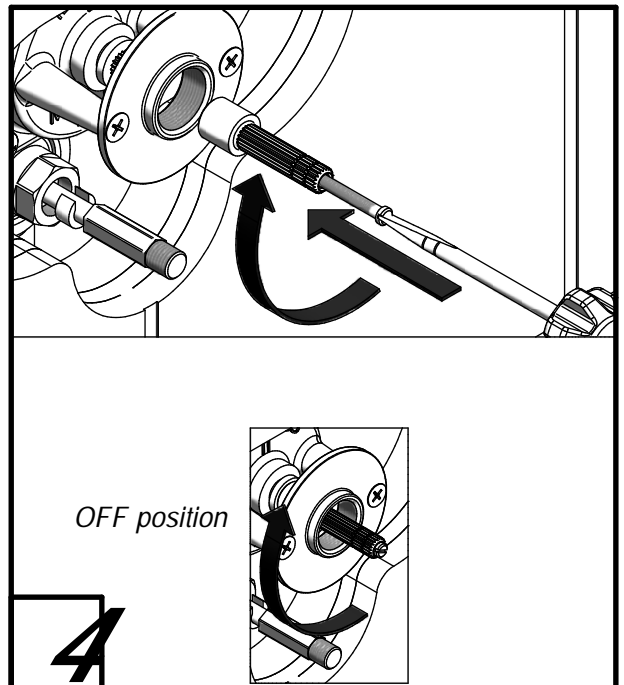
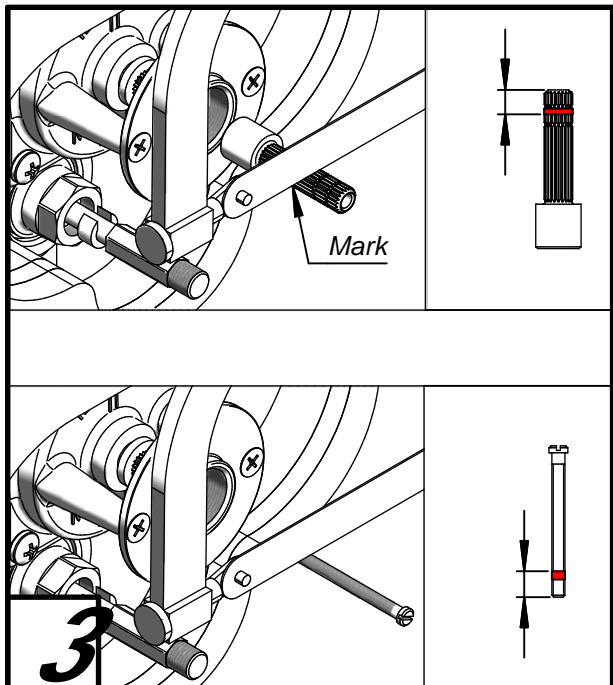
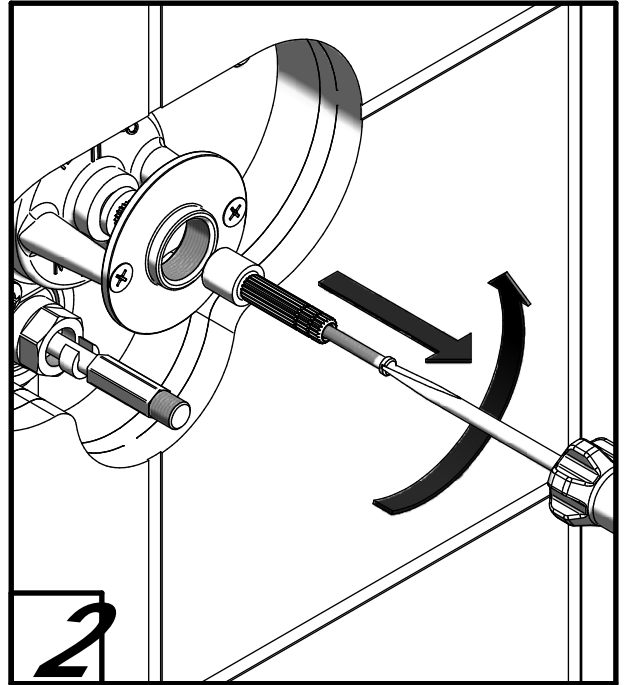
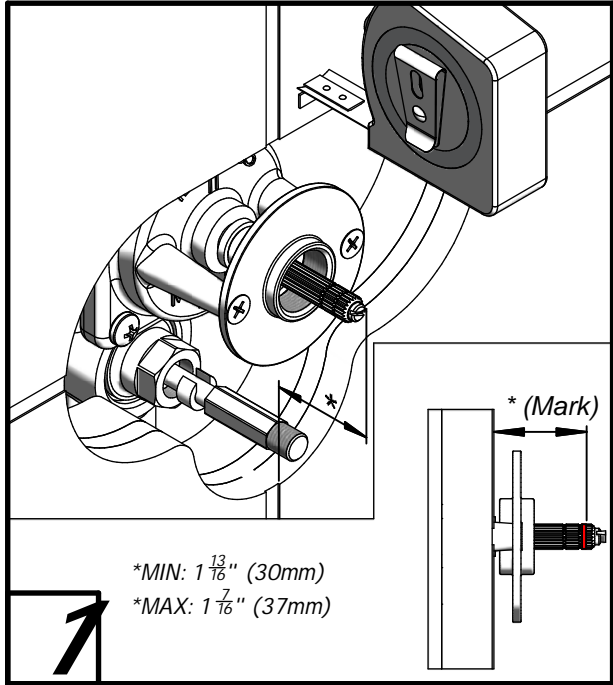
FV114/J2L.0

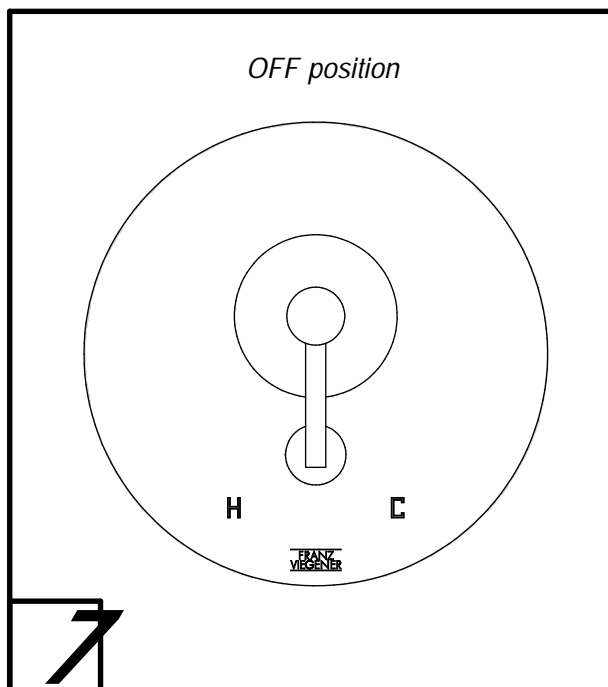
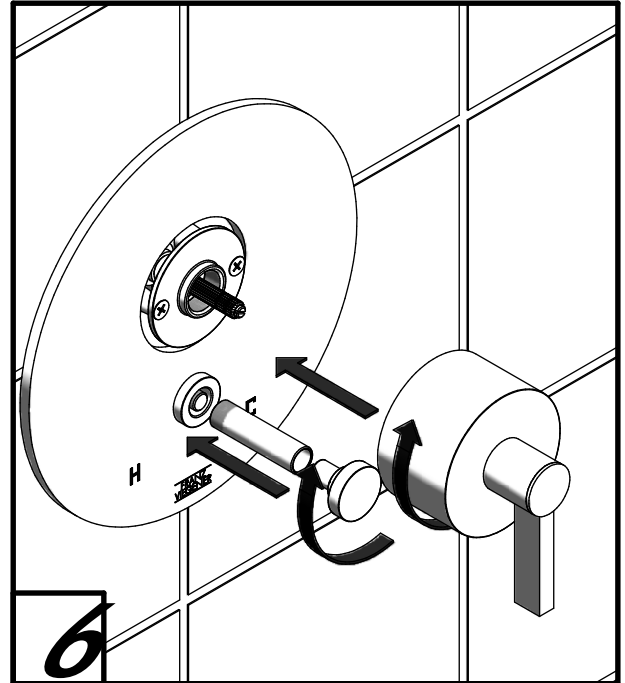
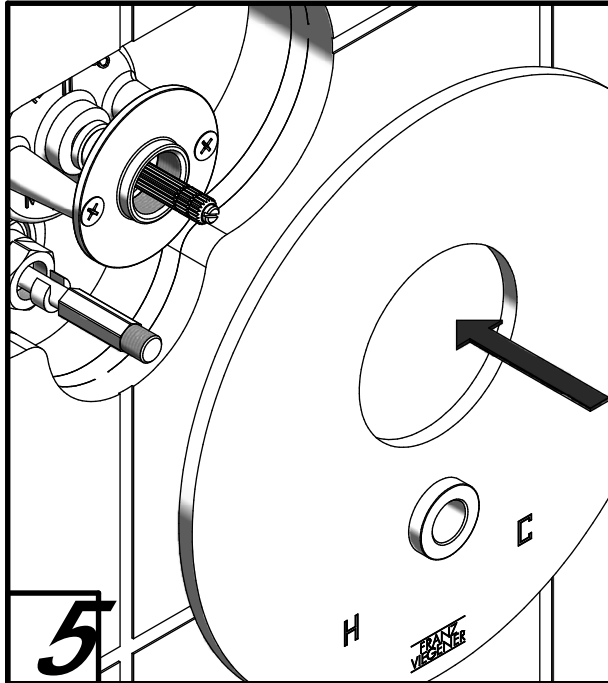
**To be used with
FV114C.BASE*

FV114C.BASE



Installation:





Cleaning and care instructions

It is recommended to wipe faucets dry with a soft cloth after use to avoid spots left by mineral deposits when water evaporates.

Avoid harsh and abrasive cleaners on all faucet surfaces.

Use only a soft damp cloth with mild liquid soap to clean the faucet surfaces. We recommend applying a thin layer of a non-abrasive liquid car wax or furniture polish to the plated surface of the faucet, to protect the finish from scratches and mineral build up.

FRANZ VIEGENER

a FV S.A. Company

4000 Porett Drive . Gurnee Illinois 60031

Phone 847-244-1234/Fax 847-244-1259