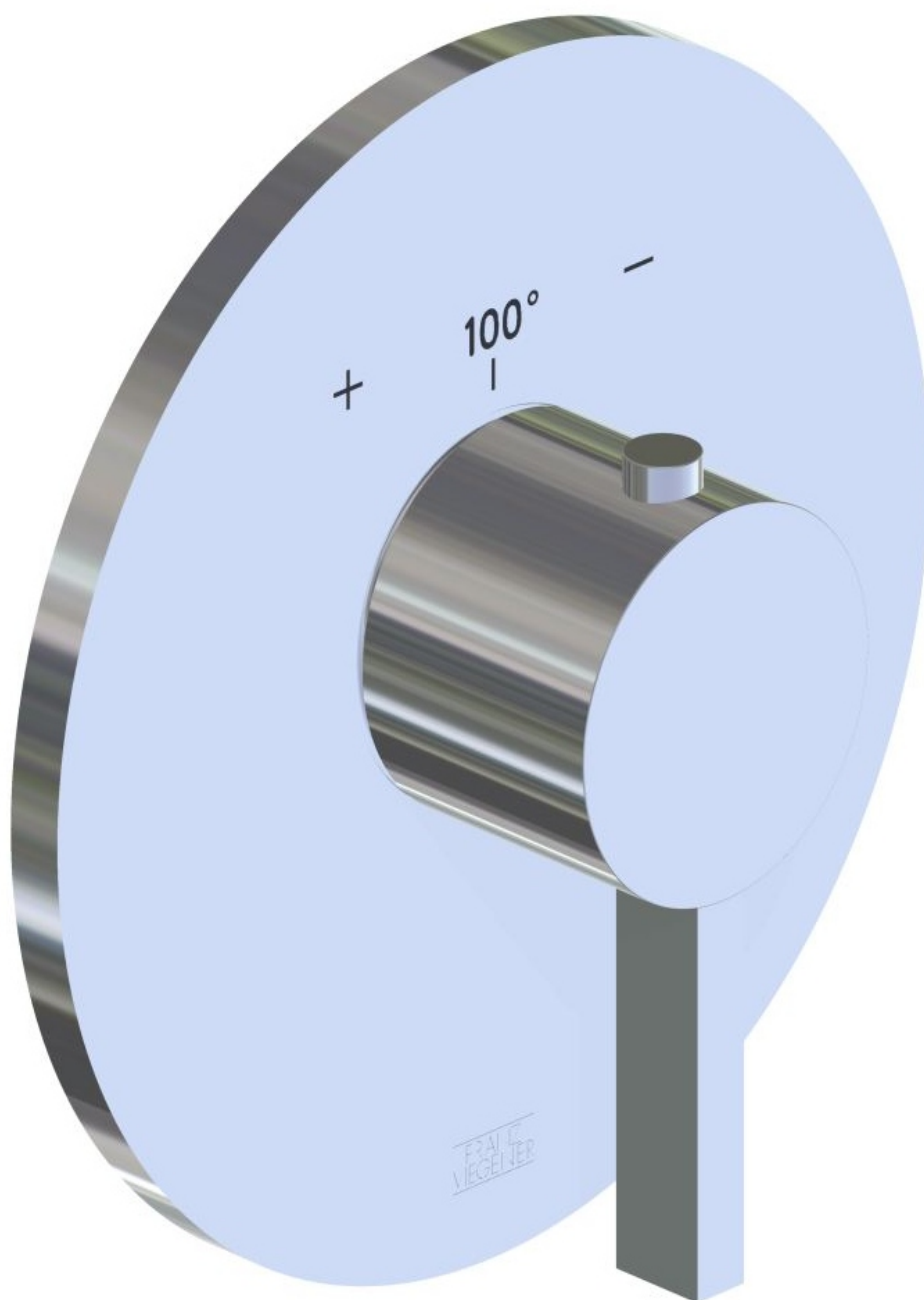


FRANZ VIEGENER

Lollipop

installation



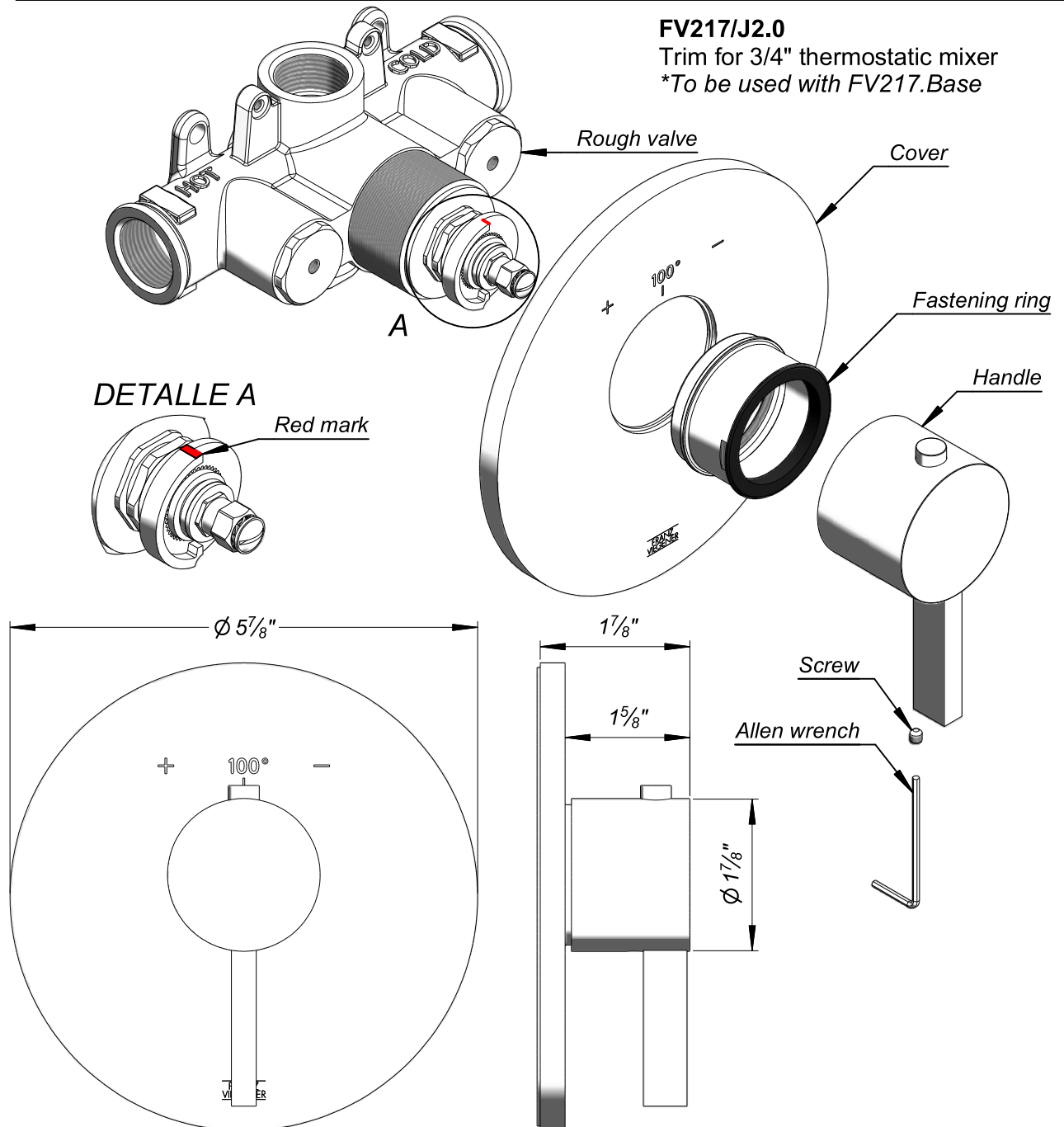
CONGRATULATIONS !

This product has been subjected to stringent test for its quality, performance and finish.

We guarantee years of trouble free operation.

We thank you choice and above all for the trust you are placing in us. This trust is what motivates us to improve every day.

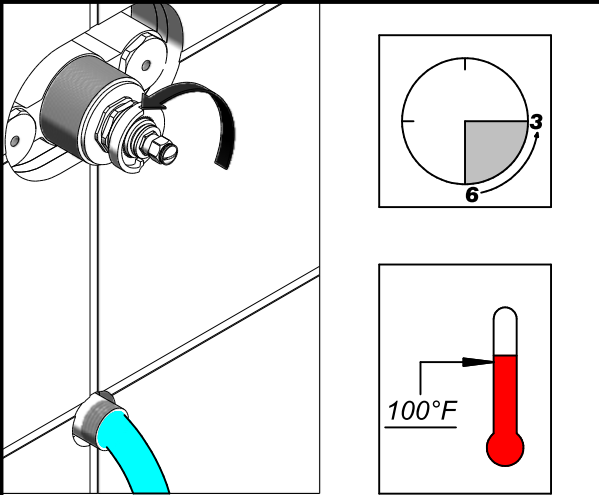
Before connecting the faucet to the water supply, flush the tubing thoroughly to eliminate any residue.



Calibrating the valve temperature

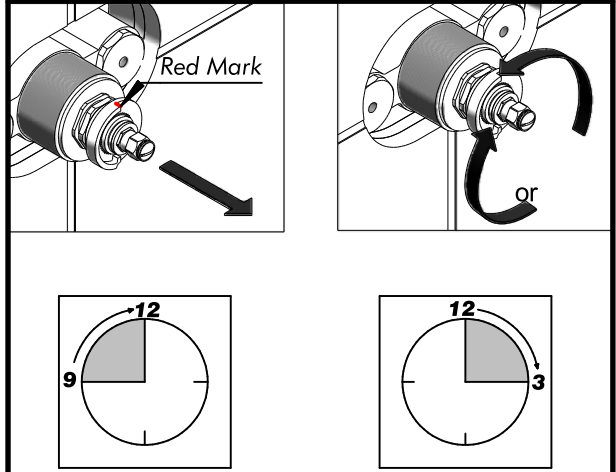
*The Valve comes calibrated from the factory to function at the correct temperature, however there are all sorts of circumstances that occur, such as water flow and pressure differences between the hot and cold side of your plumbing. These differences will cause the valve markings to read incorrectly.

To compensate for these differences you will need to make the following corrections.



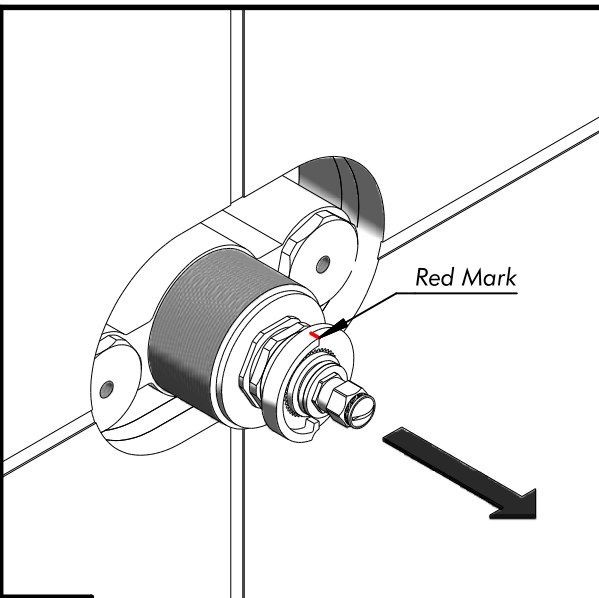
STEP ONE turn on one of the volume control valves you have connected to the thermostat valve.

1 Run the water onto a thermometer to determine the existing temperature.

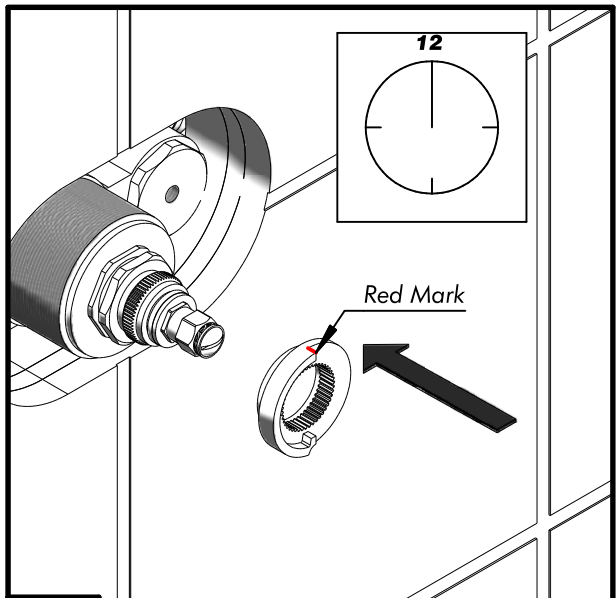


STEP TWO you will notice a white plastic ring in the center of the thermostat valve. This is the adjustment guide for your temperature setting. Slowly rotate this guide to the left or right until the water temperature reads 100 degrees Fahrenheit.

2



3

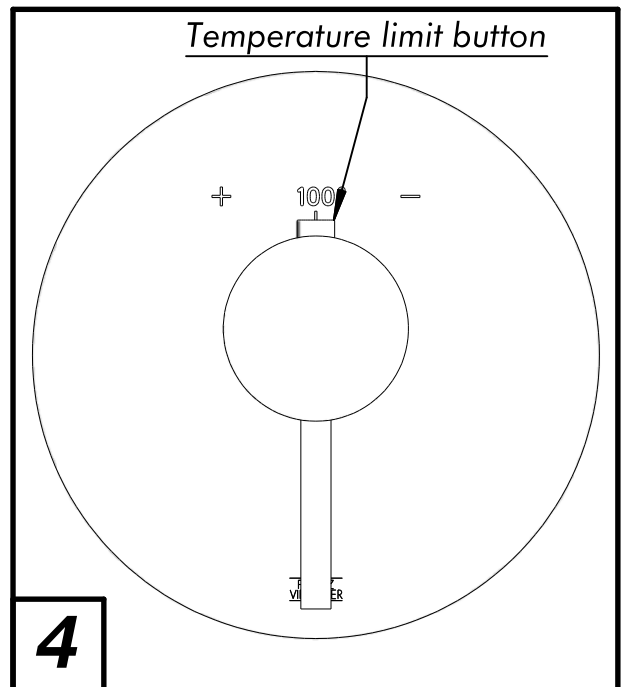
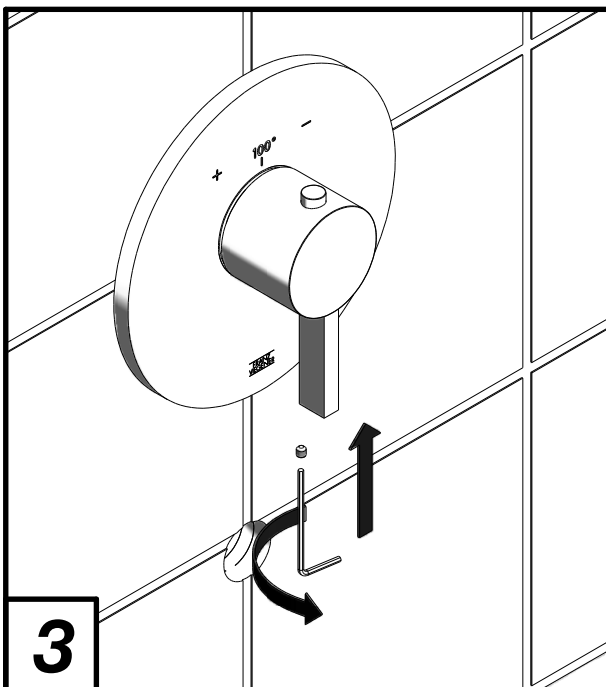
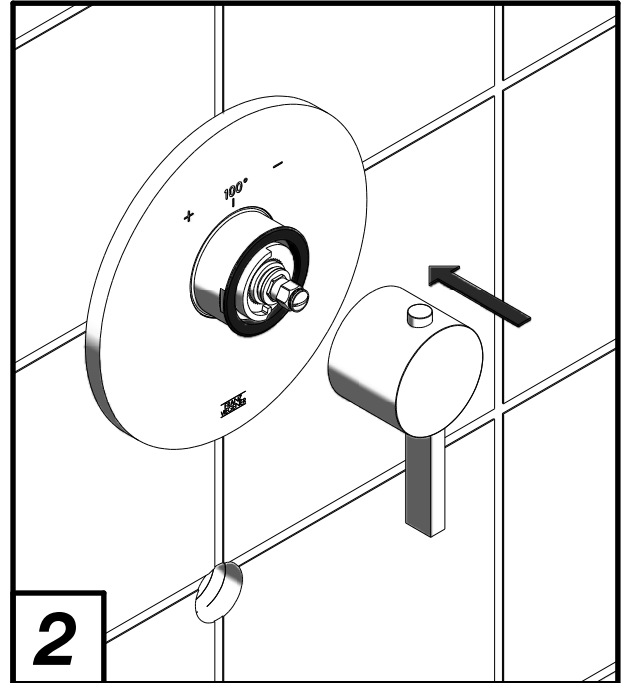
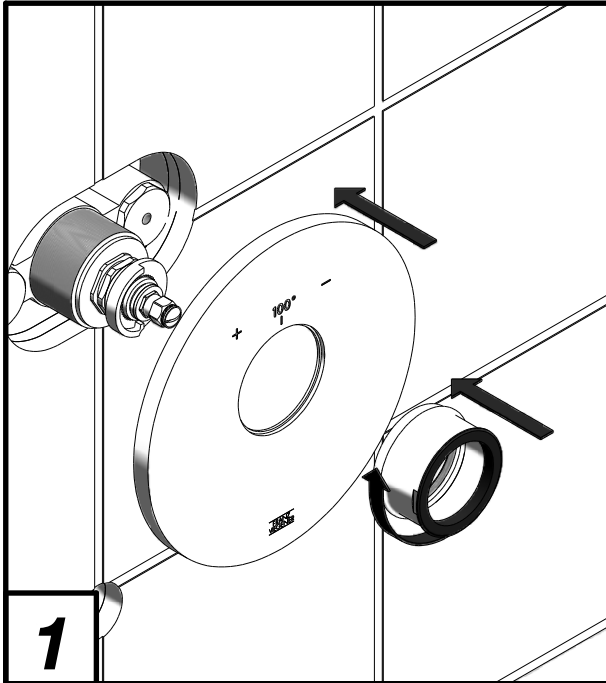


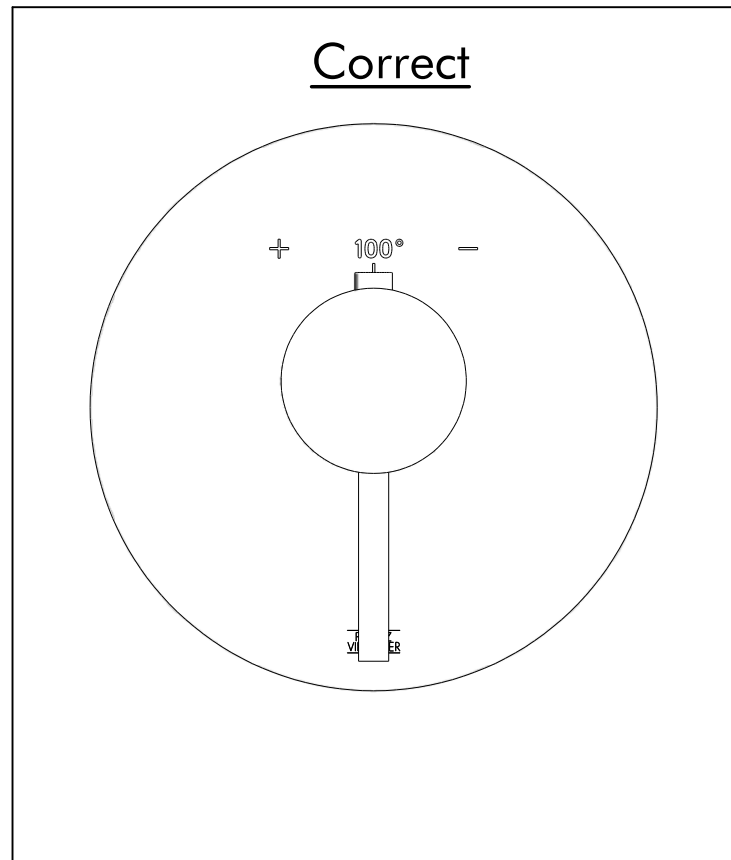
4

STEP THREE once you have the temperature set correctly, remove the plastic guide by pulling it towards you. You will notice a red mark on the guide. Reinstall the guide with the red mark pointing to the twelve o'clock positions. This will indicate the correct setting for your valve to function at the dialed setting indicated.

If rough valve is installed too far in the wall, we have an extension kit available. Please contact your dealer

Installation view





Cleaning and care instructions

It is recommended to wipe faucets dry with a soft cloth after use to avoid spots left by mineral deposits when water evaporates.

Avoid harsh and abrasive cleaners on all faucet surfaces.

Use only a soft damp cloth with mild liquid soap to clean the faucet surfaces.

We recommend applying a thin layer of a non-abrasive liquid car wax or furniture polish to the plated surface of the faucet, to protect the finish from scratches and mineral build up.

FRANZ VIEGENER

a FV S.A. Company

4000 Porett Drive . Gurnee Illinois 60031

Phone 847-244-1234/Fax 847-244-1259

FRANZ VIEGENER reserve the right to make revisions with out notice in the desingn of faucets and bathroom accessories or in packaging.
FOLFV217/J2.0 / Edition N° 1 _ May, 2012