

FRANZ VIEGENER

Lollipop

Installation

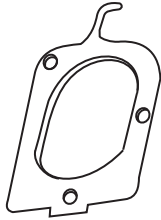
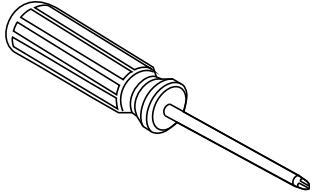
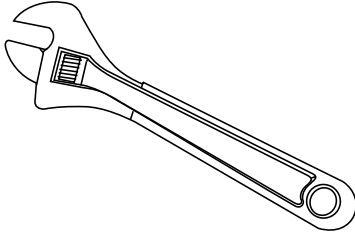
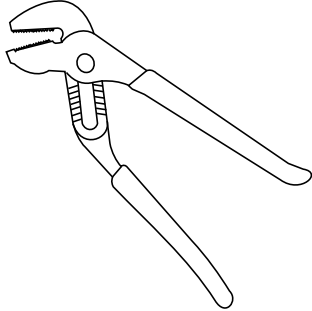
Instalación



Lollipop Faucets - Line J2-J2L-J2K-J2D-J2R-J2V

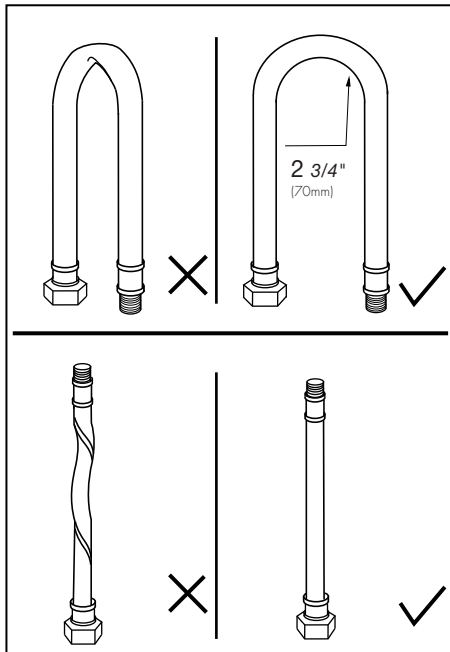
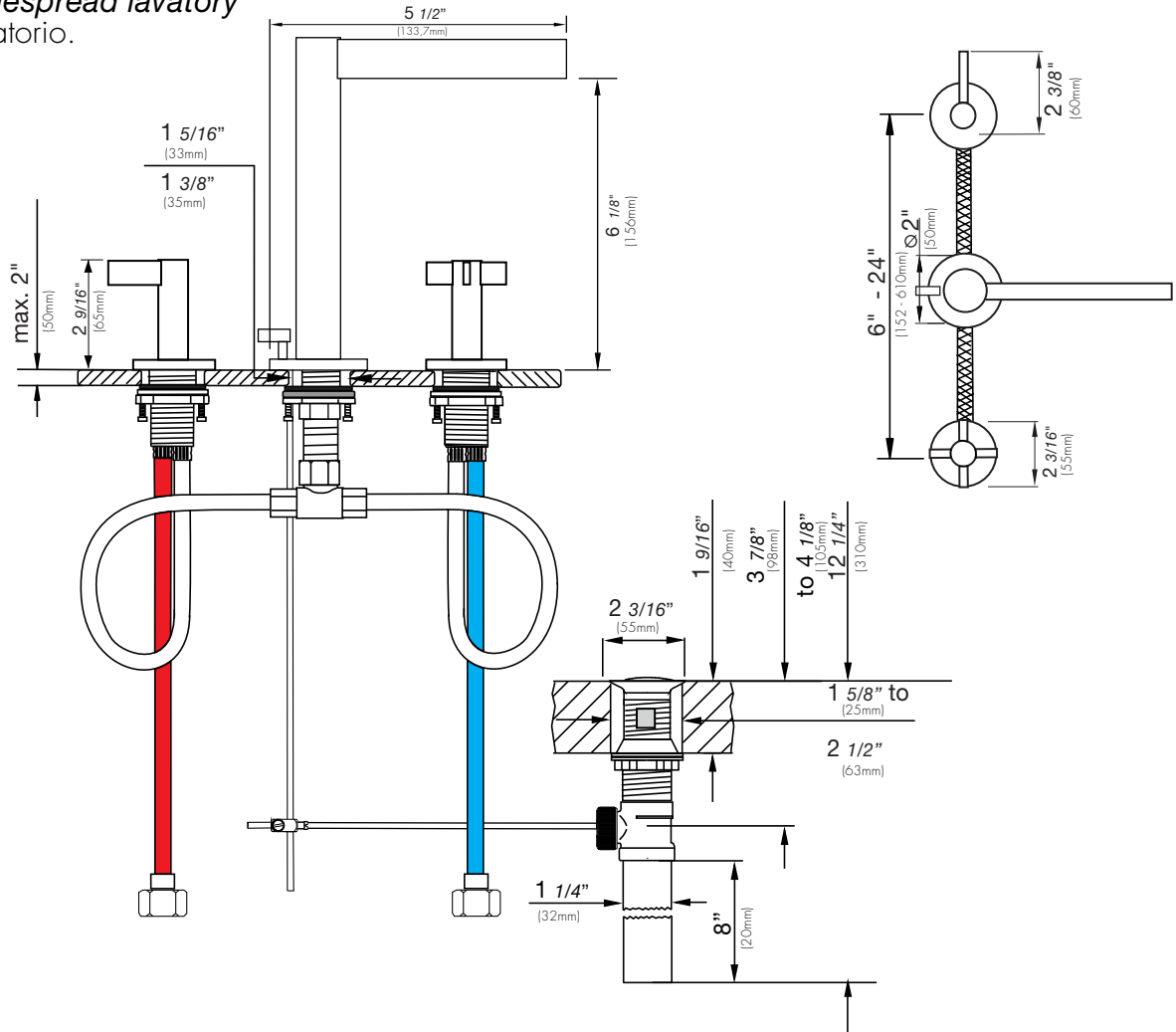
Before connecting the faucet to the water supply, flush the tubing thoroughly to eliminate any residue /
Antes de conectar la grifería a la distribución de agua, purgue muy bien la cañería a fin de eliminar partículas extrañas.

Required installation tools / Herramientas necesarias para la instalación

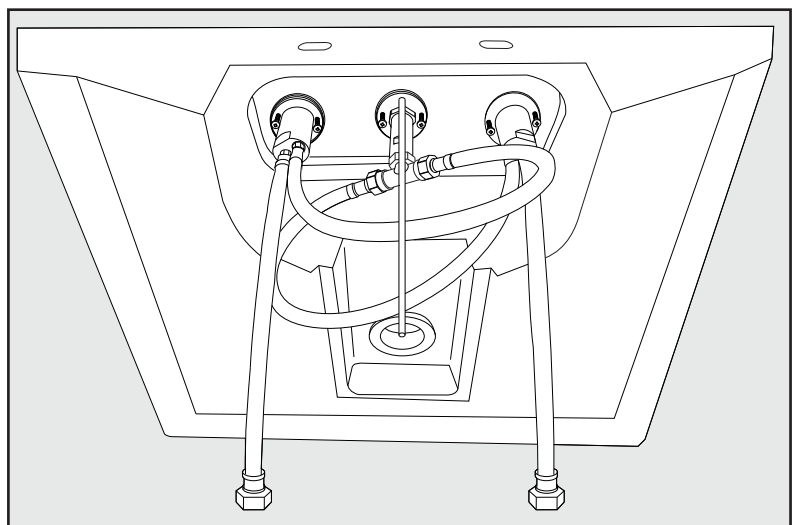
Provided / Provistas	Not Provided / No Provistas
 <p>Aerator Tool Aireador</p>	 <p>Phillips screwdriver Destornillador Phillips</p>
	 <p>Adjustable wrench Llave francesa</p>
	 <p>Channellock Llave pico de loro</p>

Lollipop Faucets - Line J2-J2L-J2K-J2D-J2R-J2V

FV201/J2-J2L-J2K-J2D-J2R-J2V
 Widespread lavatory
 Lavatorio.



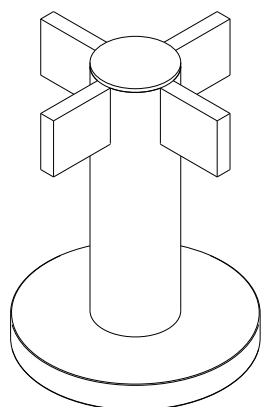
Minimum flow rate out at required constant pressure, 20 PSI and minimum flow rate for feed from 5.3 gal per min (for hot and cold connections): 2.2 gal per min



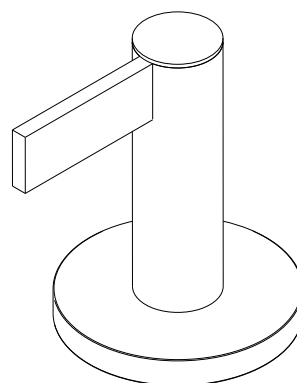
Lollipop Faucets - Line J2-J2L-J2K-J2D-J2R-J2V

Handle models

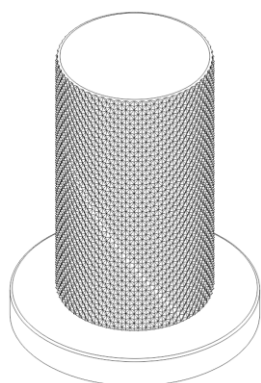
Modelos de volante



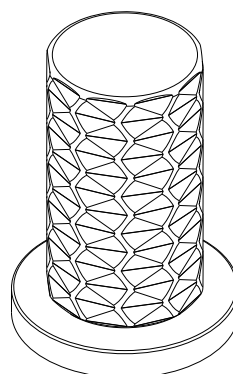
FV201/J2



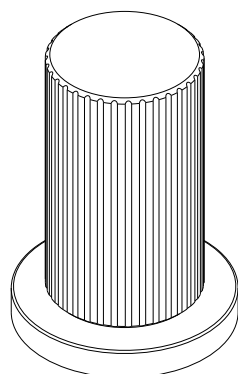
FV201/J2L



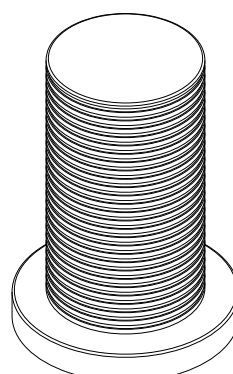
FV201/J2K



FV201/J2D

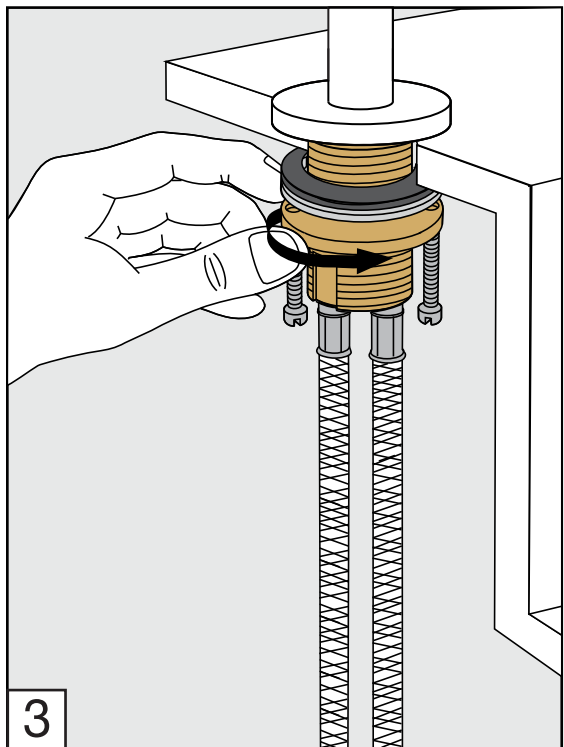
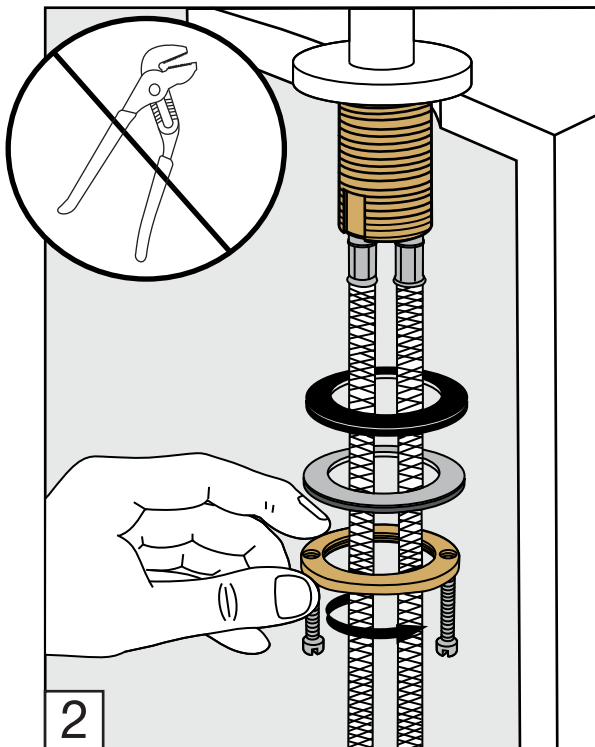
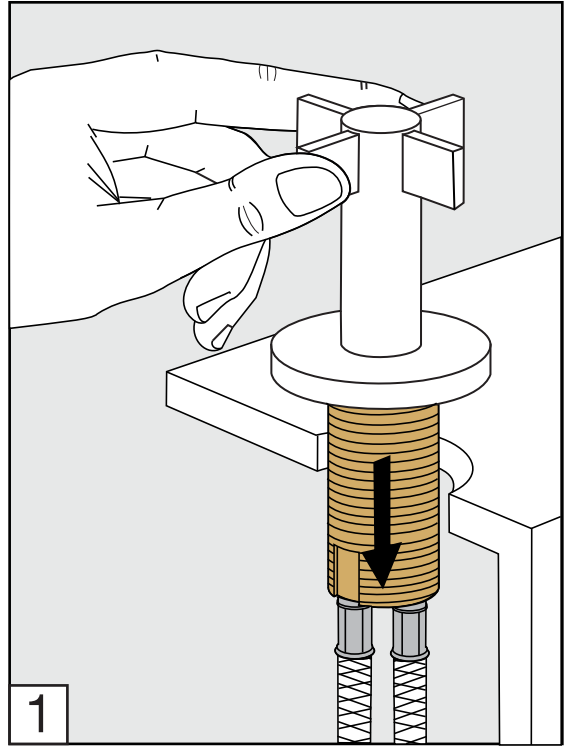
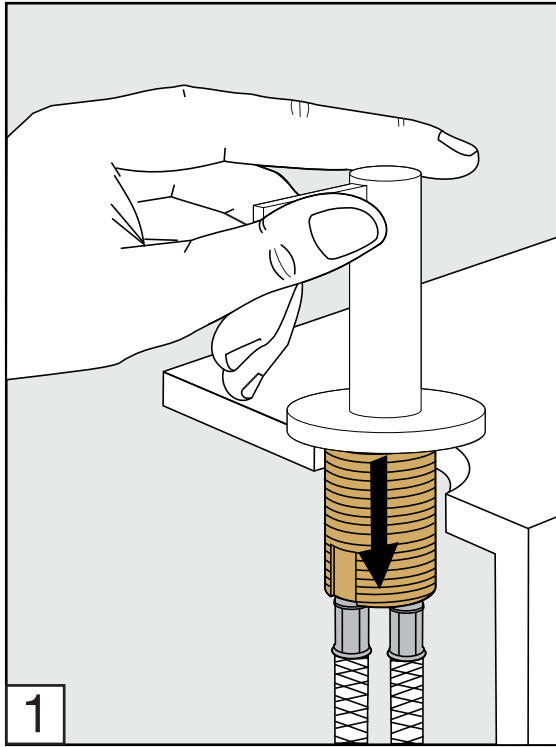


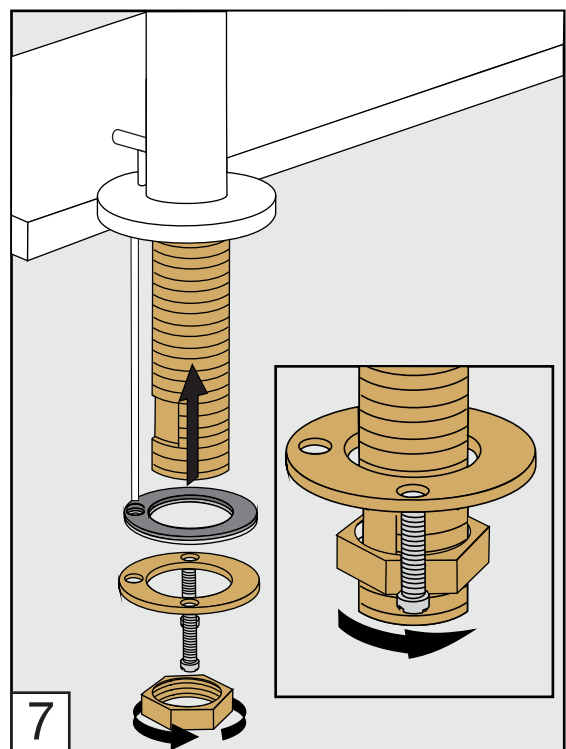
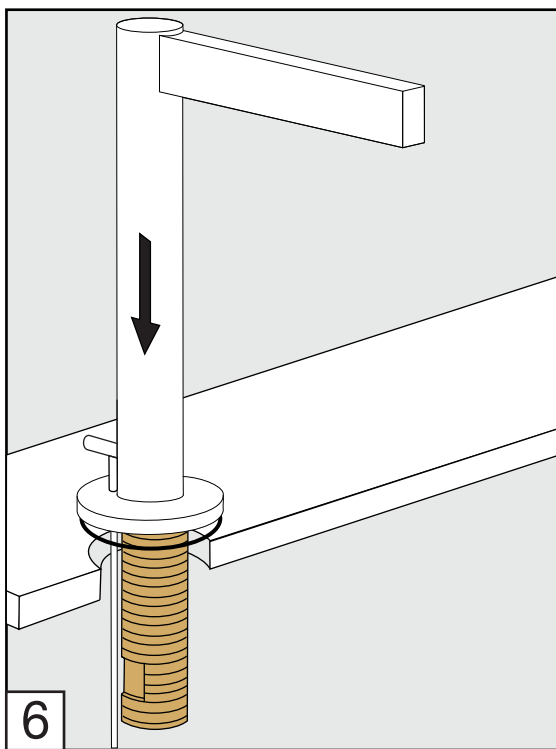
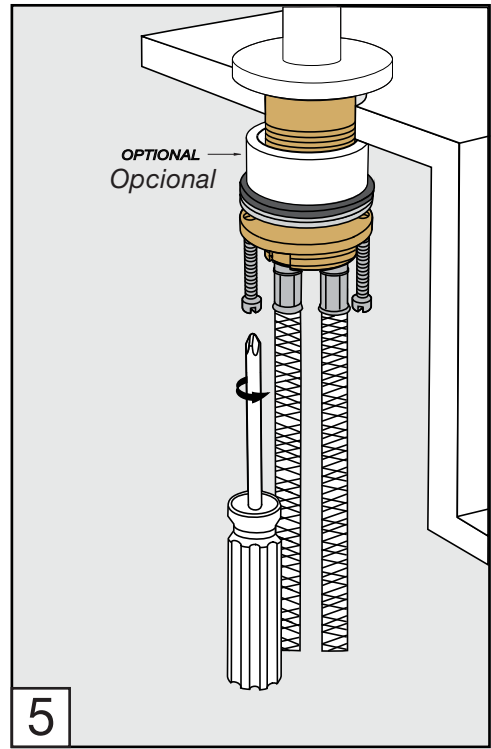
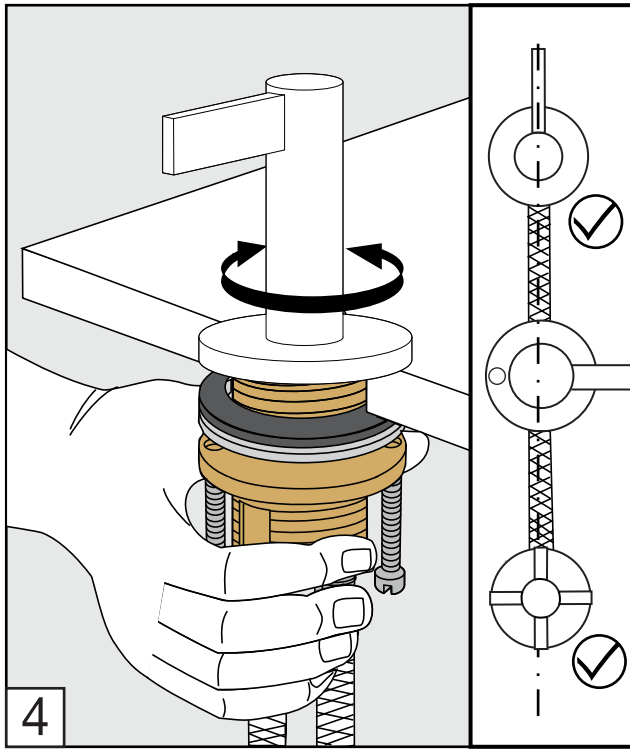
FV201/J2V



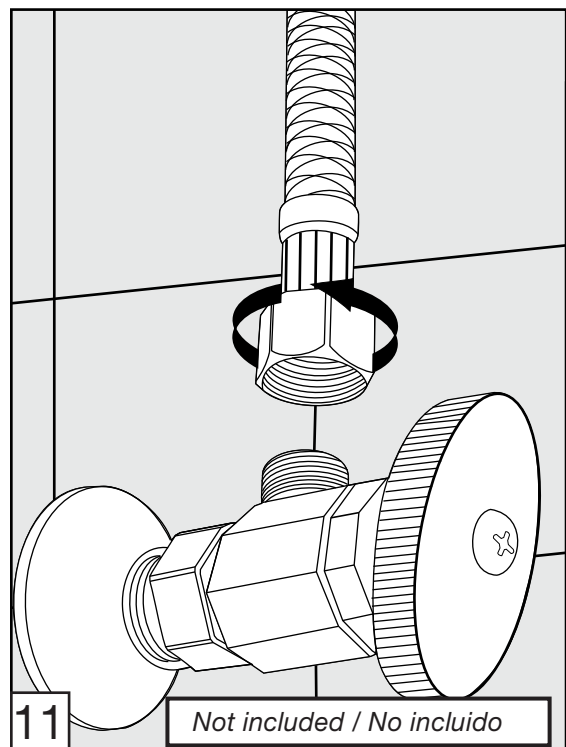
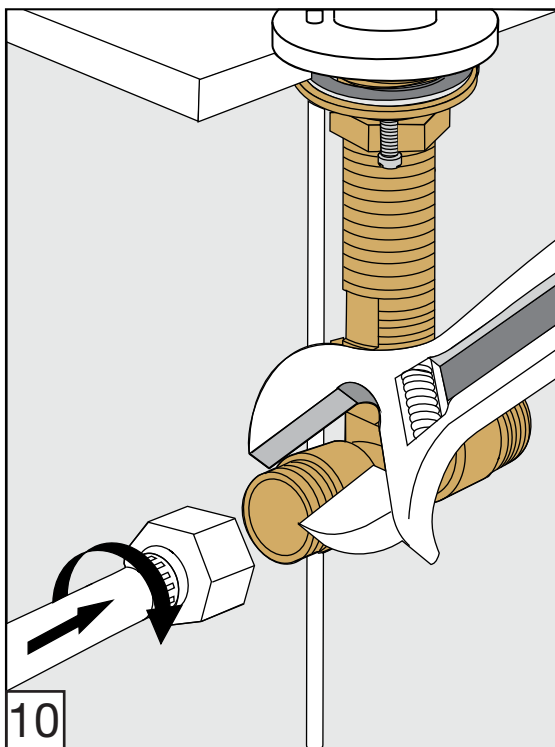
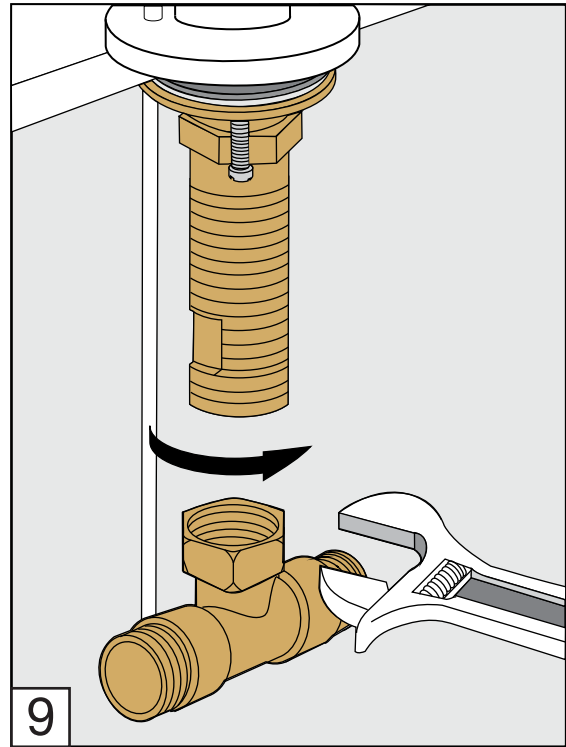
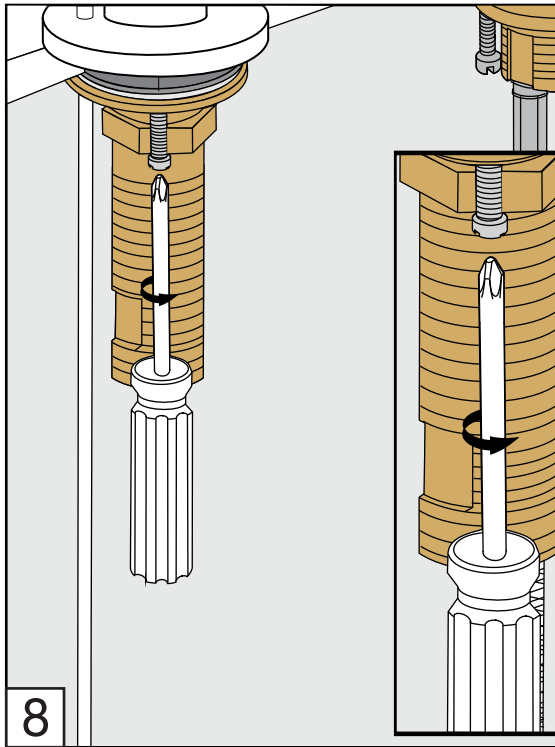
FV201/J2R

Installation / Instalación

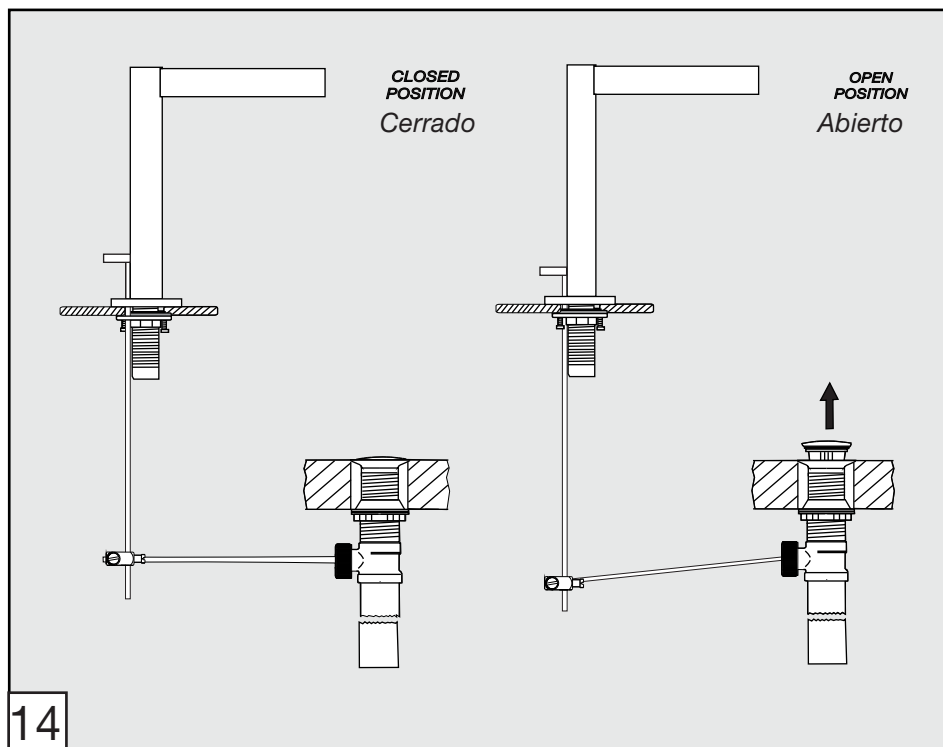
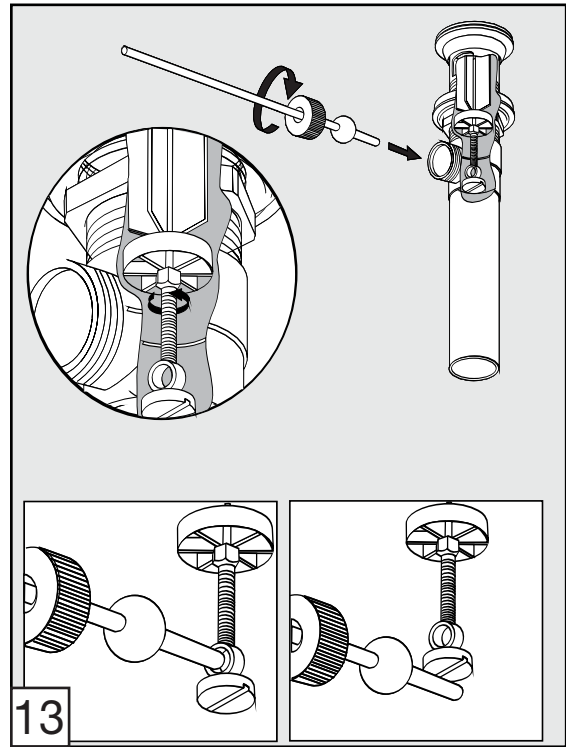
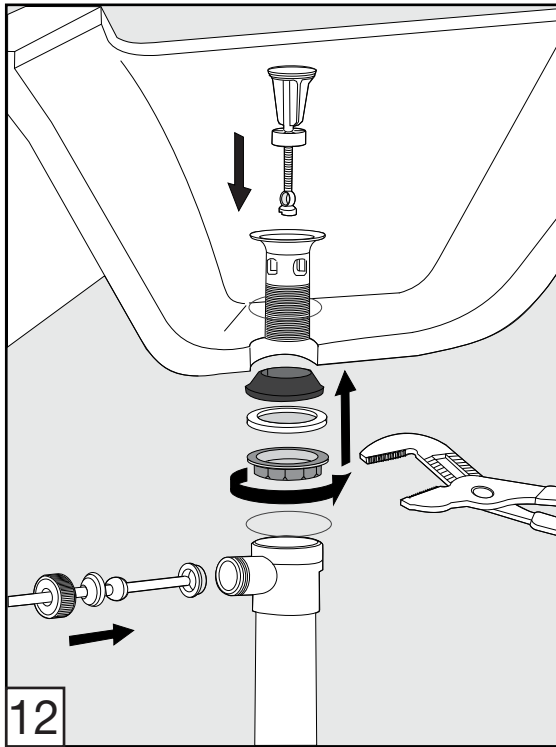




Installation / Instalación

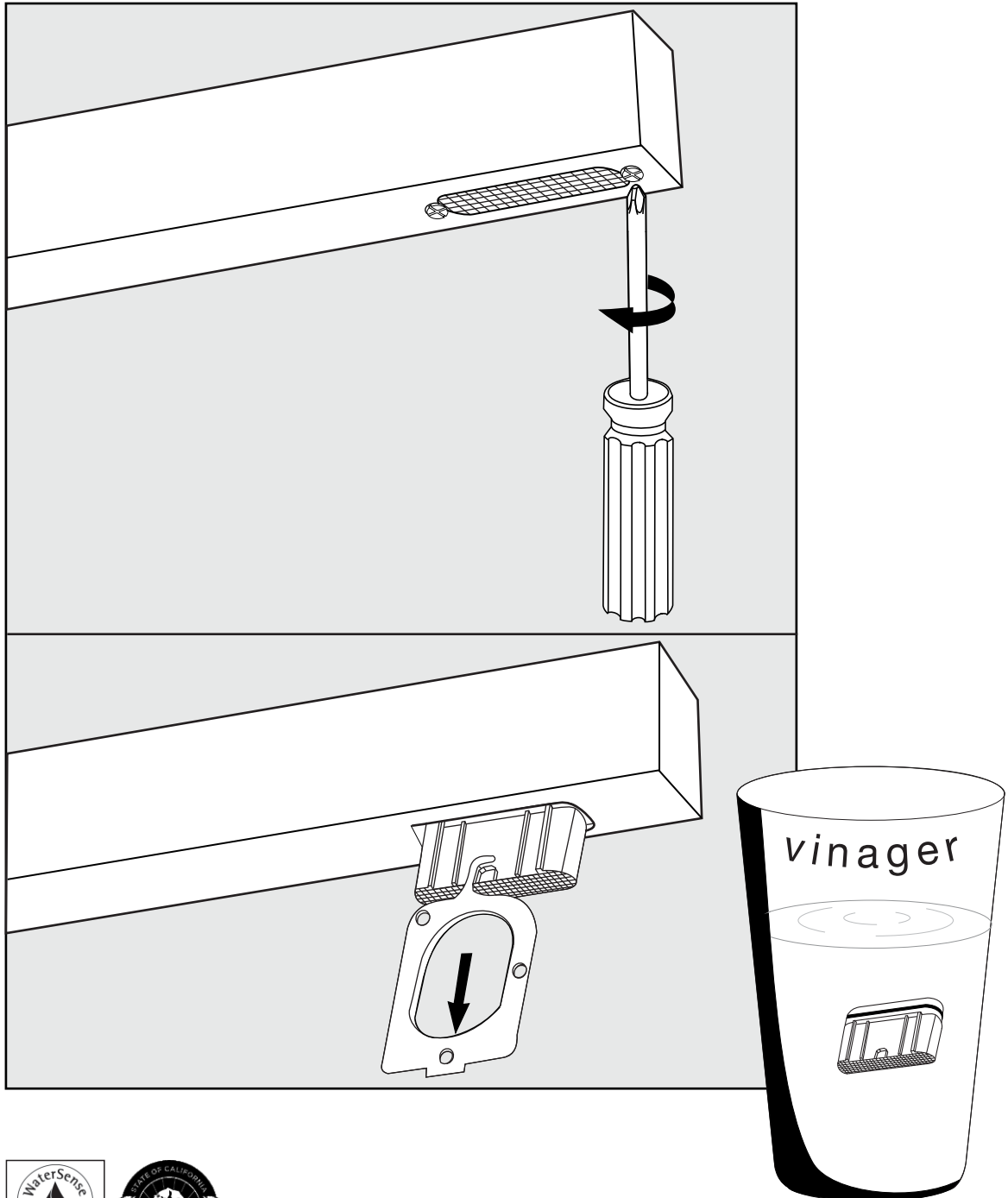


Installation / Instalación



Installation / Instalación

Aerator cleaning / Limpieza de aireador



FRANZ VIEGENER

A FV S.A. company.

4000 Porett Drive • Gurnee Illinois 60031

Phone 847-244-1234 / Fax 847-244-1259



Scan the code
to get more
information
about this line.

www.franzviegener.com

FRANZ VIEGENER reserve the right to make revisions without notice in the design of faucets and bathroom accessories or in packaging.
FOLLFV201/J2 _ Edition No 1 _ Diciembre, 2011.