

FRANZ VIEGENER

Nerea lever *plus*

i n s t a l l a t i o n a n d m a i n t e n a n c e



Nerea lever *plus* Wall-mounted lavatory set - Line 59L

CONGRATULATIONS !

This product has been subjected to stringent tests for its quality, performance and finish. We guarantee years of trouble free operation. We thank you for your choice and above all for the trust you are placing in us. This trust is what motivates us to improve every day.

Before connecting the faucet to the water supply, flush the tubing thoroughly to eliminate any residue.

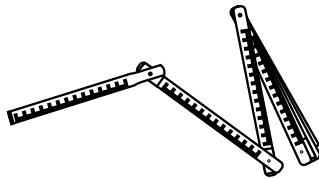
Required instalation tools

Provided

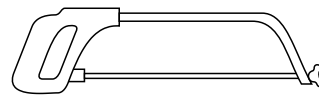


Allen wrench
(two different sizes)

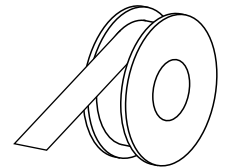
Not provided



Ruler

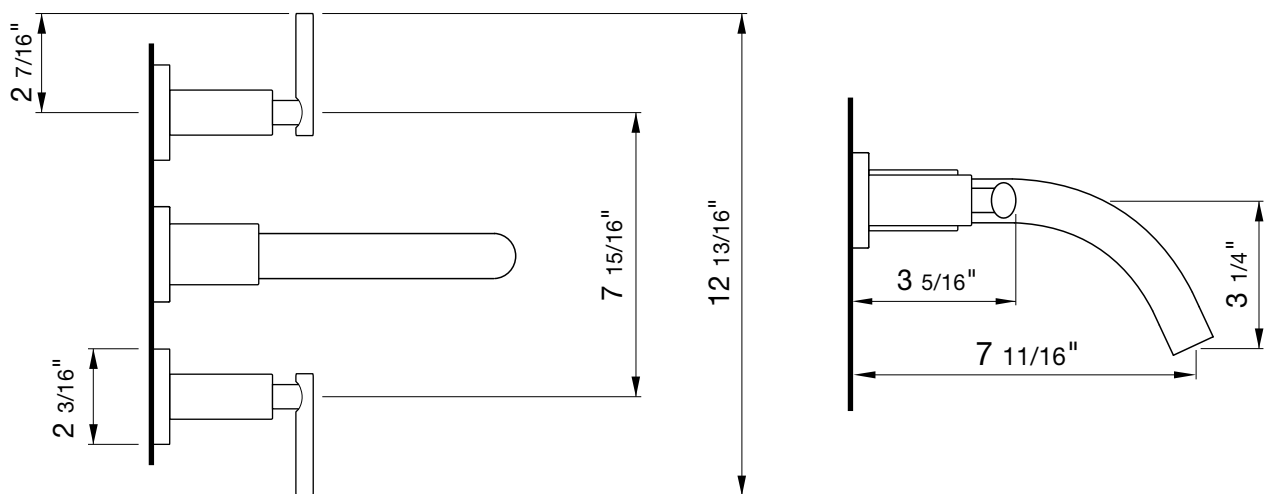


Hacksaw

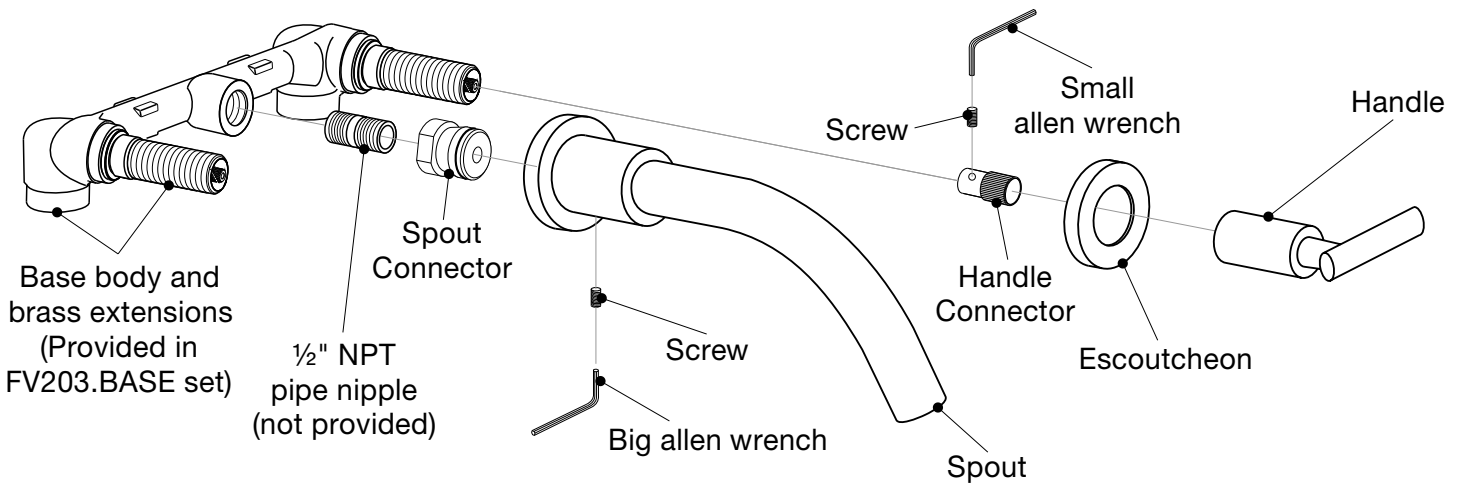


Teflon tape

FV203/59L.0



Nerea lever *plus* Wall-mounted lavatory set - Line 59L



Installation Instructions

1- Make sure to place the valve with supply inlets pointed downward. The brass extension is already threaded onto the FV203.BASE body. It can be removed and trimmed using a saw along the provided groove, if necessary.

Handle installation:

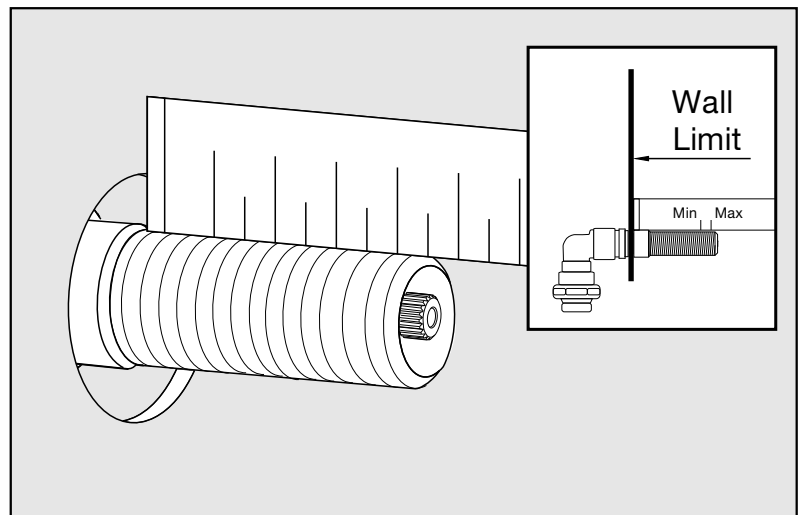
2 - Once the valve's placed, use a ruler to check and measure the maximum and minimum distances.

MIN : 7/8" (22,2 mm)

MAX : 1" (25,4 mm)

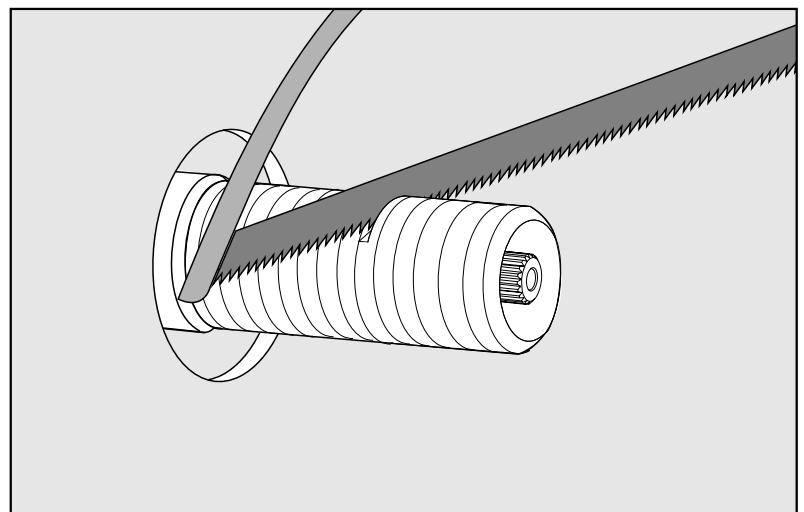
If the min/max is correct continue directly to point 4.

*Maximum and minimum distances are in millimeters, measurements in inches are for reference only.



3 - If the measured distance exceeds the "max" value it's necessary to trim brass extension and valve stem (together).

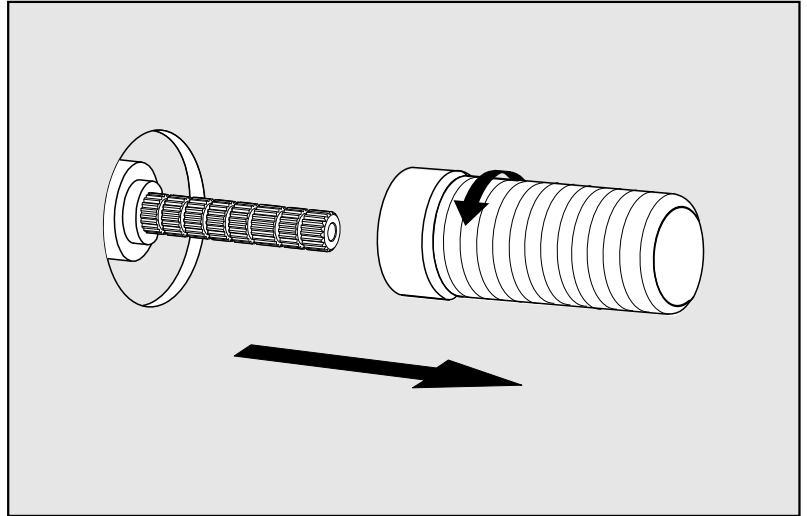
Both parts are trimable with hacksaw.



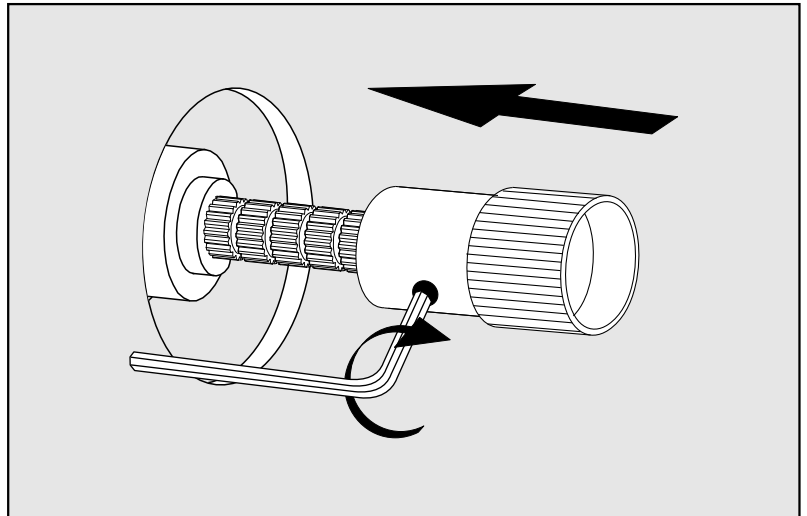
*Optional extension kit (not included) to use when valve is installed deeper than normal. Contact your dealer to purchase extension kit.

Nerea lever *plus* Wall-mounted lavatory set - Line 59L

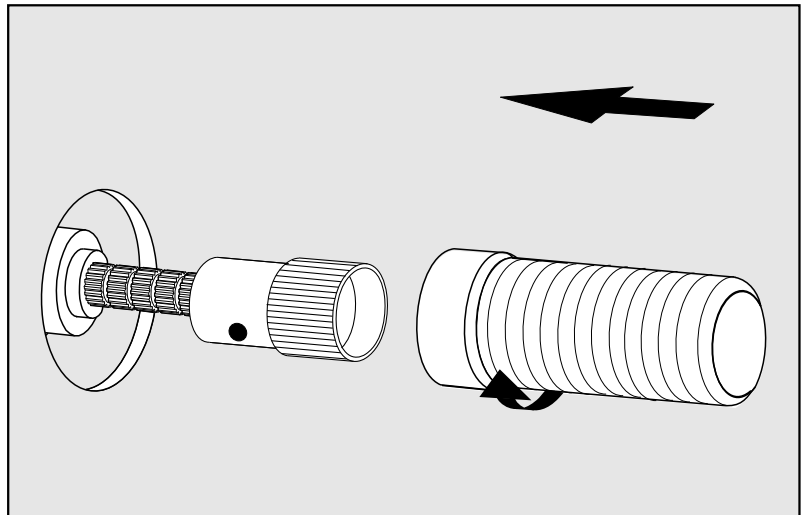
4 - Remove the brass extension.



5- Place the connector and tight it with provided small allen wrench as shown in the picture.



6 - After tightening the connector, place the brass extension.

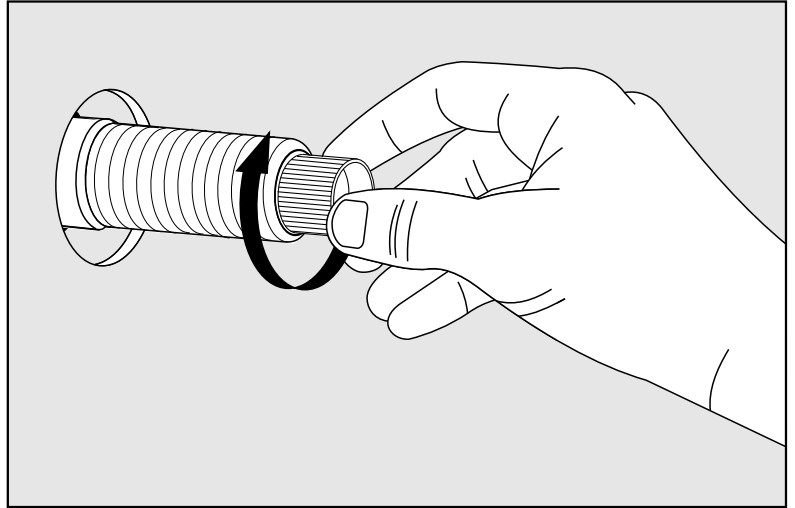


Nerea lever *plus* Wall-mounted lavatory set - Line 59L

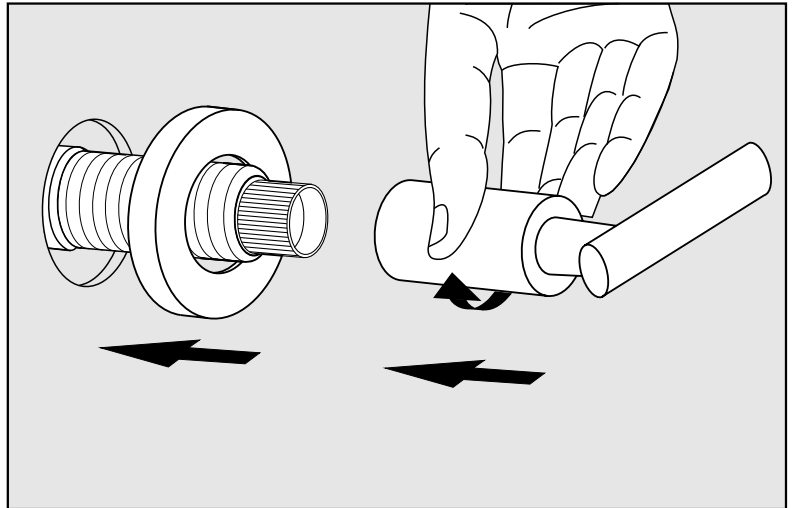
7 - Once adjusted the brass extension, put the valve on its "off" position.

-To close "hot" valve turn clockwise

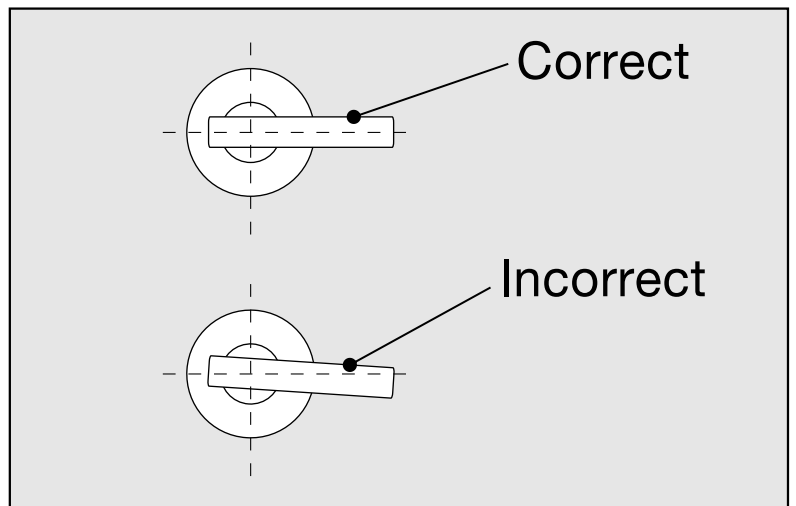
-To close "cold" valve turn counter clockwise



8- Place the handle by threading it's body on the brass extension.



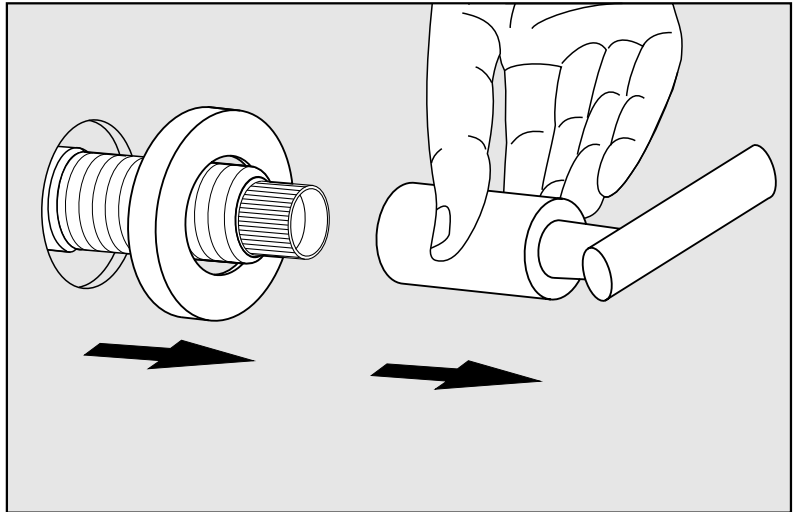
9 - After placing the handle you must control the instalation position (see picture).



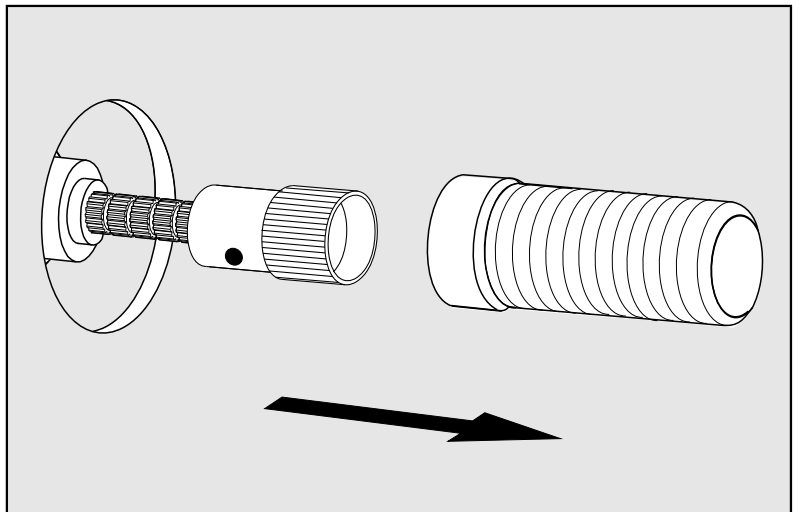
Nerea lever *plus* Wall-mounted lavatory set - Line 59L

To correct handle position:

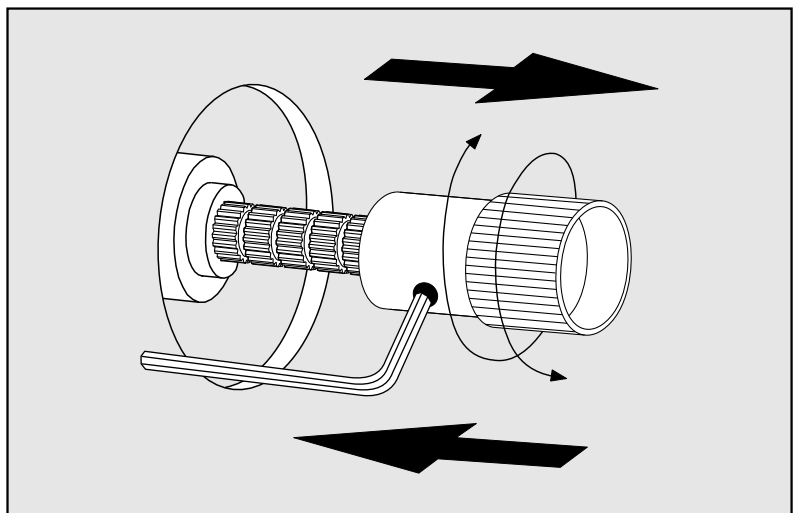
10 - If the handle isn't in the correct position remove it.



11- Remove also the brass extension.



12- Remove, rotate, and reinstall the connector. And restart since point 6.

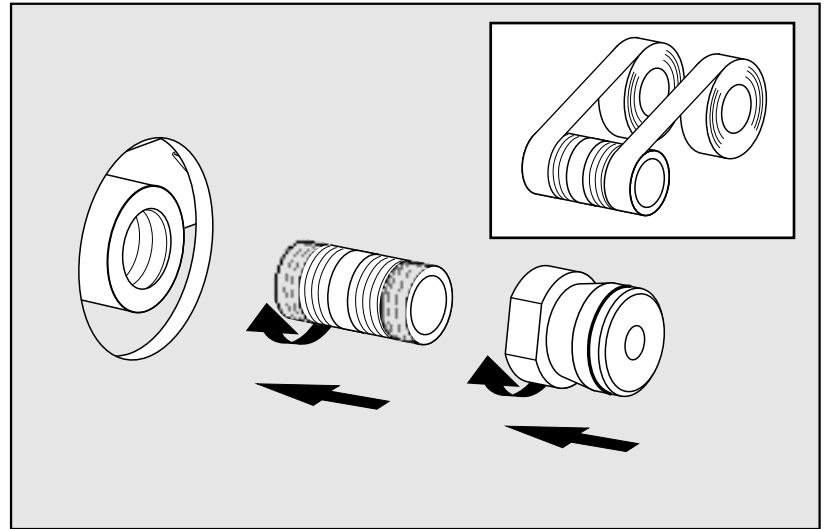


Nerea lever *plus* Wall-mounted lavatory set - Line 59L

Spout instalation:

13 - Use the ½" NPT pipe nipple connector to engage the FV203.BASE body with the spout connector.

Remember to apply sealant tape to the pipe niple.



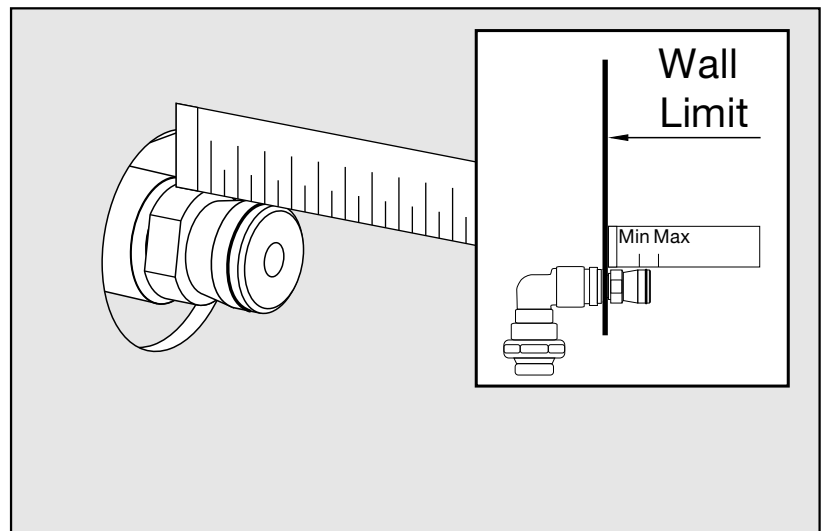
14 - Once placed the spout connector use a ruler to check the instalation distance against the wall.

MIN: 1 ¼" (31 mm)

MAX: 1 ¾" (44 mm)

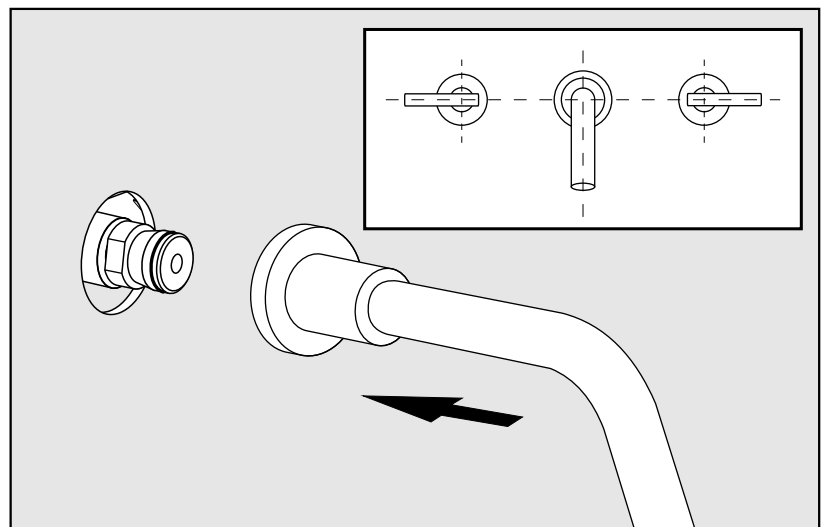
Acording to the measured distance could be necessary to choose other size of the "NPT pipe niple" (not provided).

*Maximum and minimum distances are in millimeters, measurements in inches are for reference only.



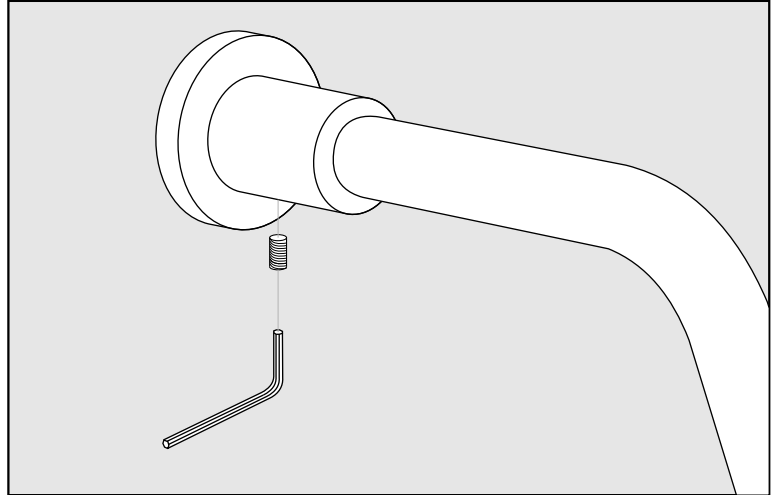
15 - To install the spout place it on the spout connector (is not necessary to thread it).

Make sure the spout matches paralely with the horizontal and vertical lines wich were used to place all the pieces of the FV203/59L.0 set.



Nerea lever *plus* Wall-mounted lavatory set - Line 59L

16- Once the spout is on the wished position, tight it with the big allen wrench.

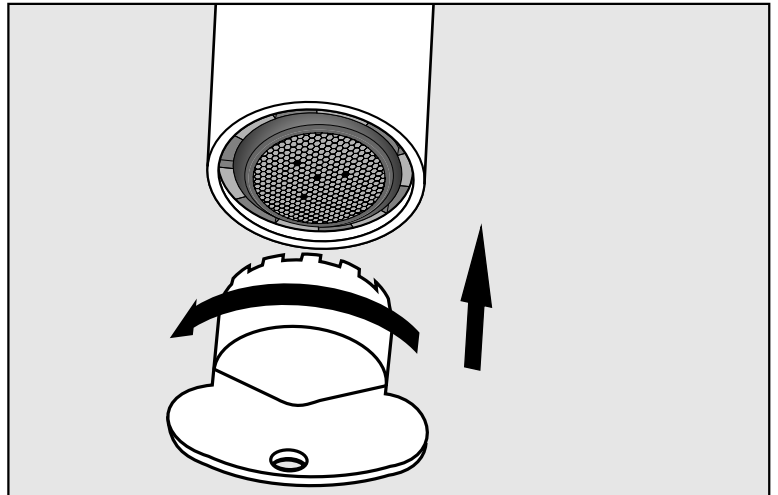


Nozzle usage instructions:

To clean the nozzle use the provided key to take it out.

Cleaning loose leftovers: Wash the nozzle under a strong water jet.

Cleaning tartar sediments: Put the nozzle in a glass of vinegar along one entire night.



Cleaning recommendations

It is recommended to wipe faucets dry with a soft cloth after use to avoid spots left by mineral deposits when water evaporates.

Avoid harsh and abrasive cleaners on all faucet surfaces.

Use only a soft damp cloth with mild liquid soap to clean the faucet surfaces of all finishes including coated polished brass, gold, pewter, etc.

Painted and plated surfaces alike, should be coated regularly with a thin protective film. Non-abrasive liquid car wax is recommended.

FRANZ VIEGENER

a FV S.A. Company

4000 Porett Drive • Gurnee Illinois 60031

Phone 847-244-1234 / Fax 847-244-1259

FRANZ VIEGENER reserve the right to make revisions without notice in the design of faucets and bathroom accessories or in packaging.
FOLFV203/59L0 / Edition No 1 _ June, 2010.