

FRANZ VIEGENER

---

**Nerea lever *plus***

---

*i n s t a l l a t i o n a n d m a i n t e n a n c e*


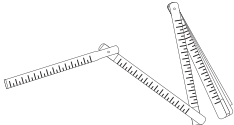



# Nerea lever *plus* Volume Control Trim

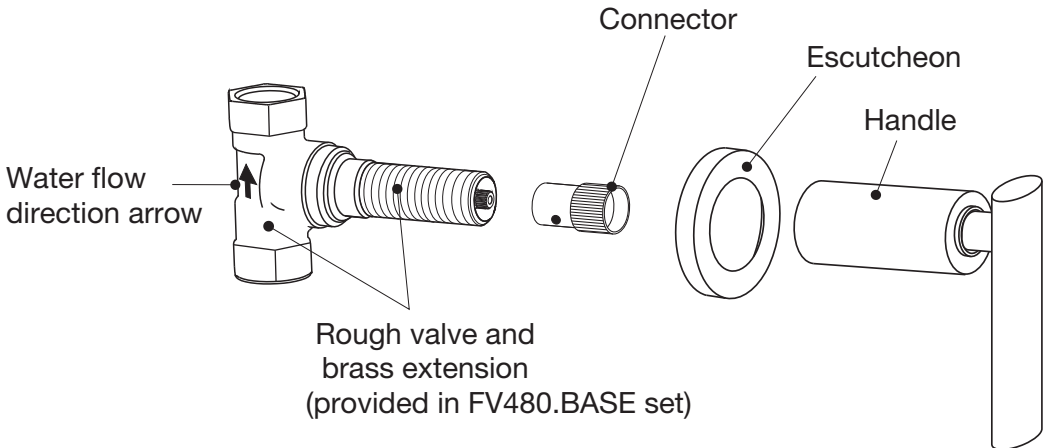
## CONGRATULATIONS !

This product has been subjected to stringent tests for its quality, performance and finish. We guarantee years of trouble free operation. We thank you for your choice and above all for the trust you are placing in us. This trust is what motivates us to improve every day.

## Required instalation tools

Provided	Not provided	
 Allen wrench	 Ruler	 Hacksaw

## FV480/59L.0



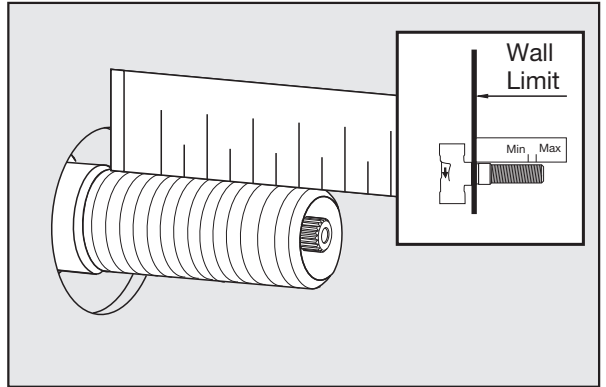
## Installation Instructions

1- When installing valve to pipe connections make sure the valve is positioned with the arrow pointing in the direction of the water flow.

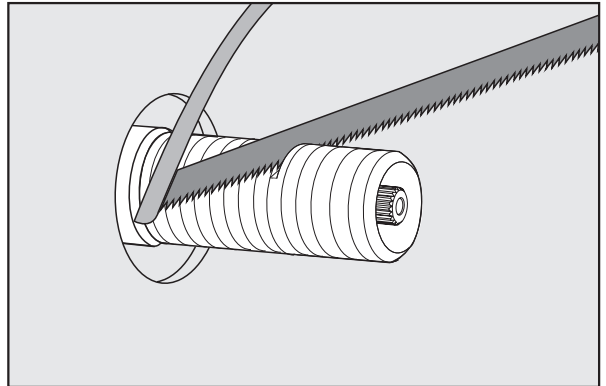
## Nerea lever *plus* Volume Control Trim

2 - Once the valve is in place, the wall is closed and the tile installation is completed, measure the valve extension that is protruding through the wall. Your finished dimension should be between 7/8" to 1".

If your finished dimension is correct, continue to step 4.

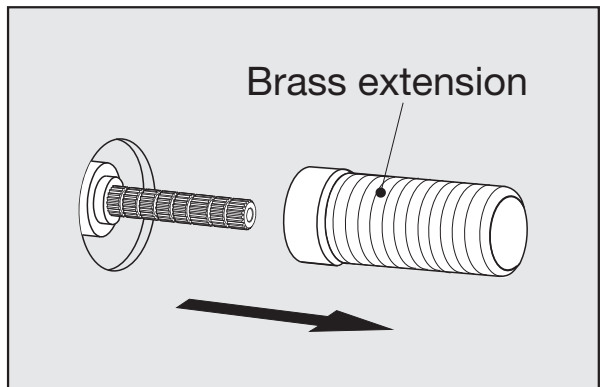


3 - ***If the dimension exceeds the 1" "maximum" distance, you must cut the brass extension tube and valve stem together as shown in the picture.***



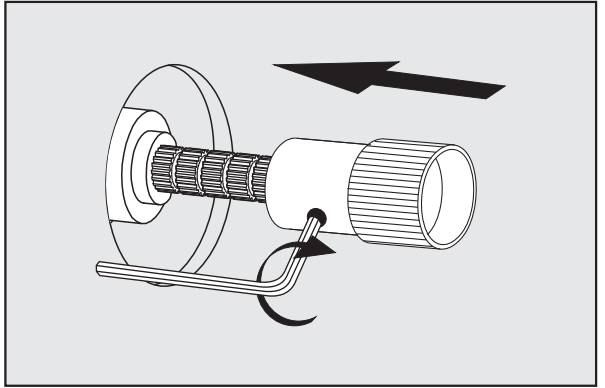
*Optional extension kit (not included) to use when valve is installed deeper than normal. Contact your dealer to purchase extension kit.*

4 - Remove the brass extension.

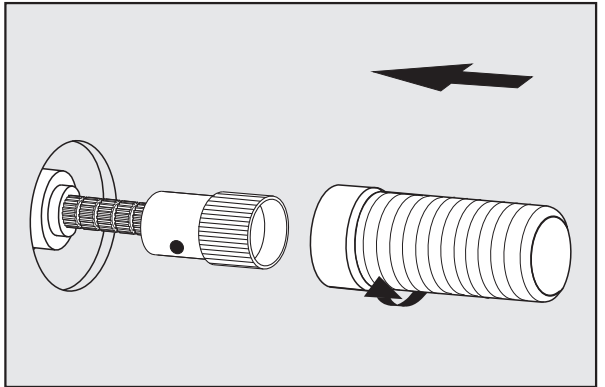


## Nerea lever *plus* Volume Control Trim

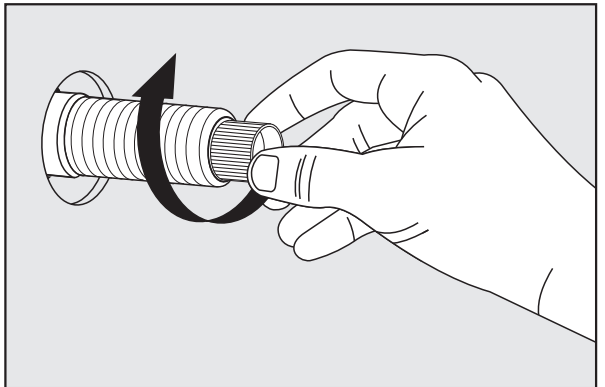
5- Place the connector on the stem and tighten with the provided allen wrench as shown in the picture.



6 - After the connector is in place, re-mount the brass extension tube back onto the valve.

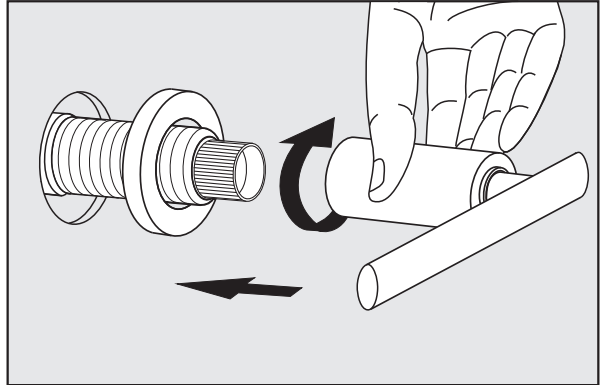


7 - Turn the connector clockwise until it stops. This is the "OFF" position.

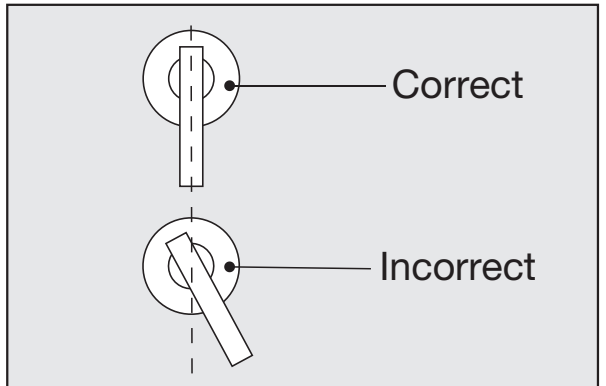


## Nerea lever *plus* Volume Control Trim

8- Slide the escutcheon onto the valve assembly. Slide the handle assembly onto the valve with the handle in the desired off position. Hold the handle in place and tighten the assembly by threading the escutcheon tube clockwise onto the connector.



9 - Make sure the lever position is facing downward (6 o'clock position).



## Nerea lever *plus* Volume Control Trim

10- If you are unable to achieve the proper position, remove the handle and escutcheon from the valve, loosen the allen screw on the connector and remove it from the valve stem. Reposition the connector on the valve stem one notch to the right or left, as needed to position your handle correctly. Tighten the connector and re-install the escutcheon and handle assembly.

