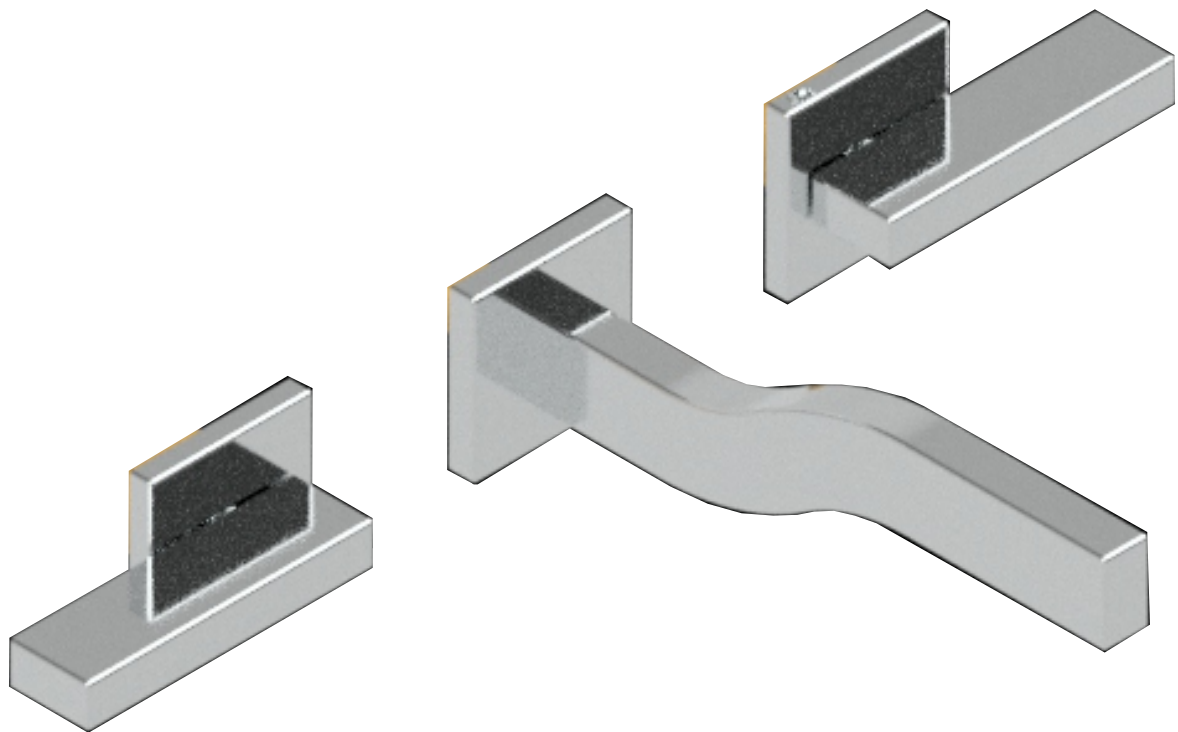


FRANZ VIEGENER

Shoreline

i n s t a l l a t i o n



FV203/K2.0

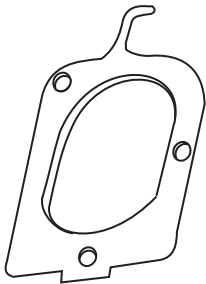
CONGRATULATIONS !

THIS PRODUCT HAS BEEN SUBJECTED TO STRINGENT TESTS FOR ITS QUALITY, PERFORMANCE AND FINISH. WE GUARANTEE YEARS OF TROUBLE FREE OPERATION. WE THANK YOU FOR YOUR CHOICE AND ABOVE ALL FOR THE TRUST YOU ARE PLACING IN US. THIS TRUST IN WHAT MOTIVATES US TO IMPROVE EVERY DAY.

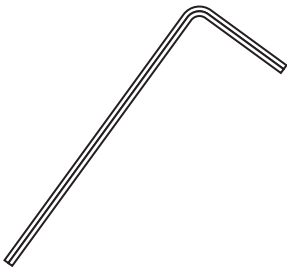
BEFORE CONNECTING THE FAUCET TO THE WATER SUPPLY, FLUSH THE TUBING THOROUGHLY TO ELIMINATE ANY RESIDUE.

REQUIRED INSTALLATION TOOLS.

PROVIDED

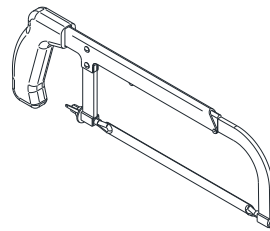


Aerator Tool

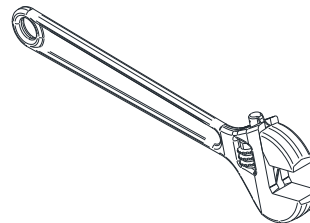


Allen wrench

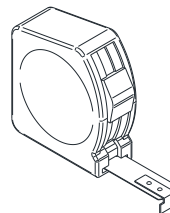
NOT PROVIDED



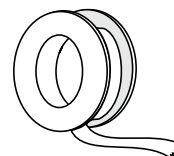
Hacksaw



Adjustable wrench



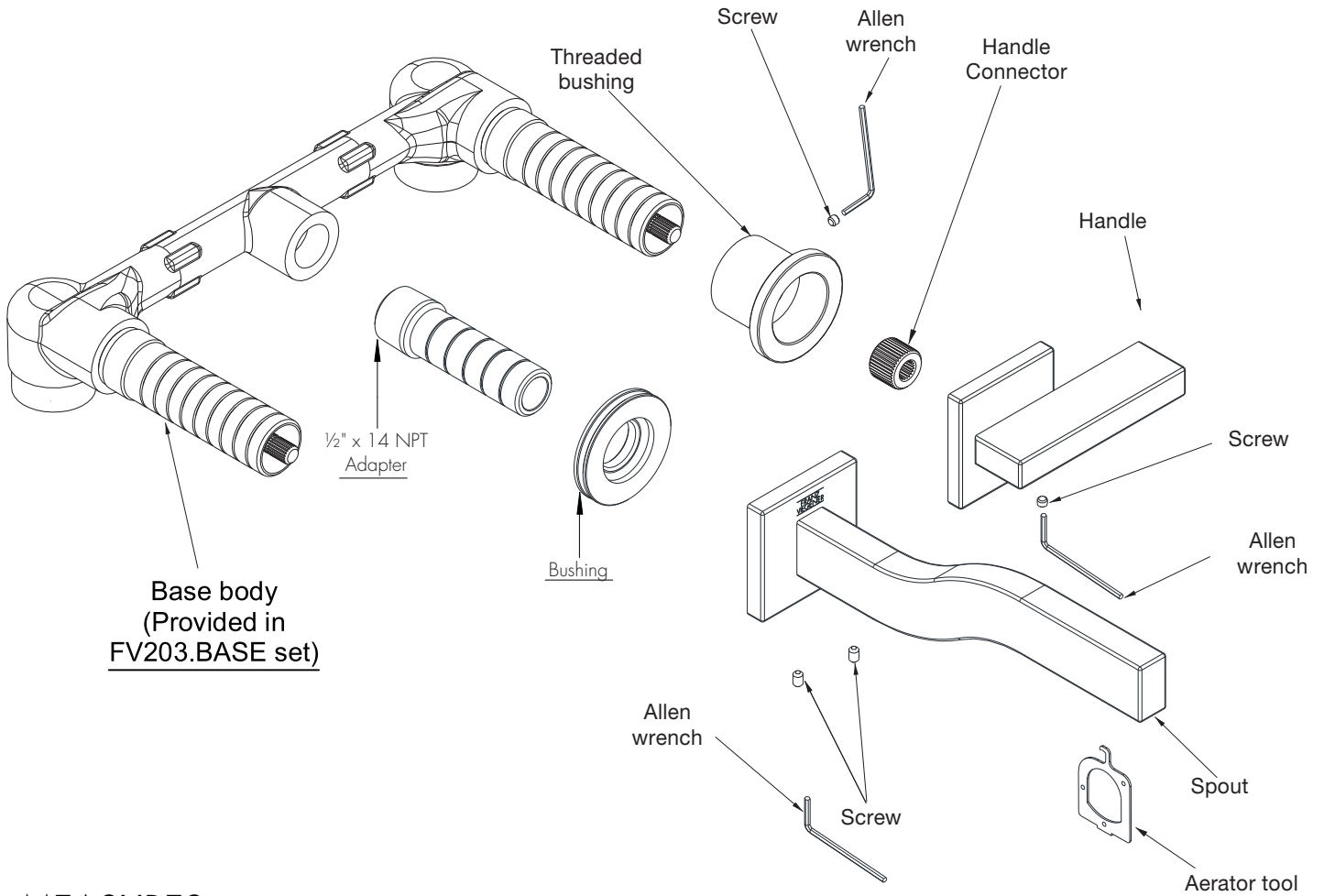
Measure Tape



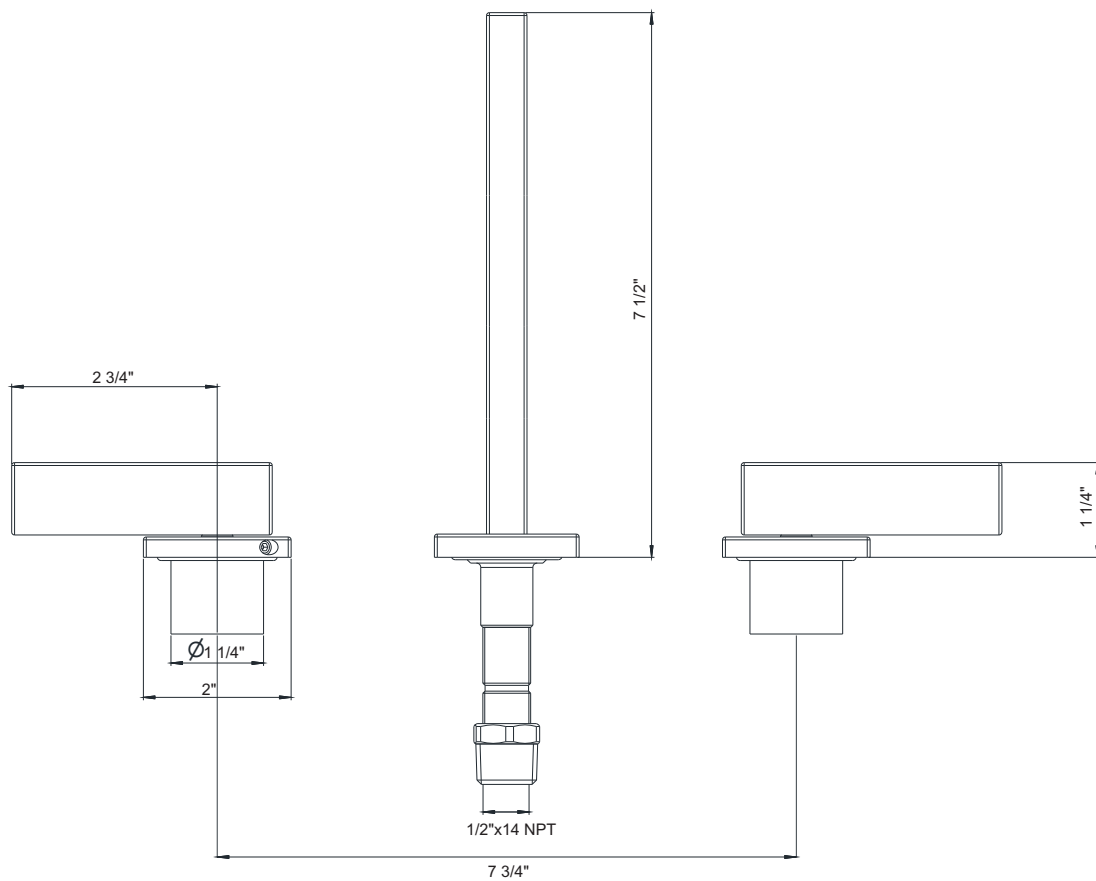
Sealant tape

FV203/K2.0

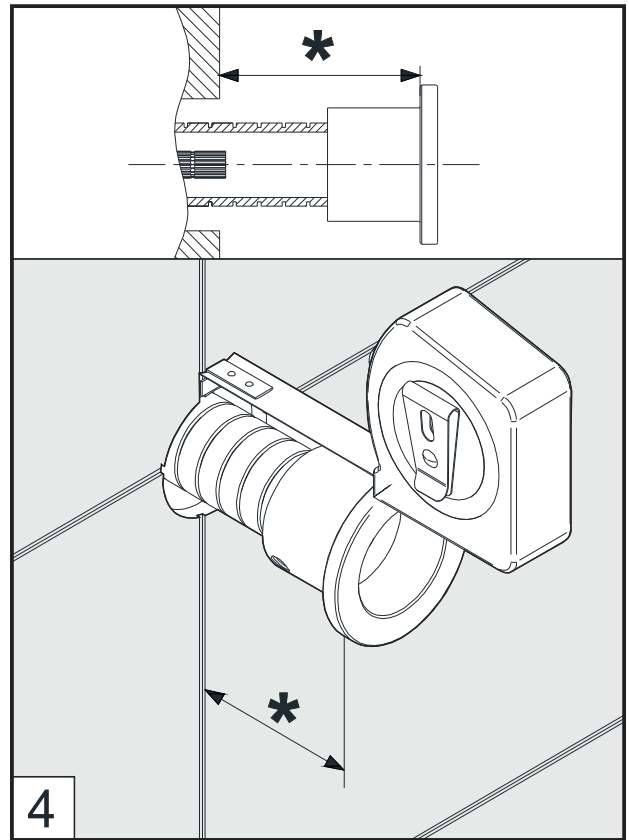
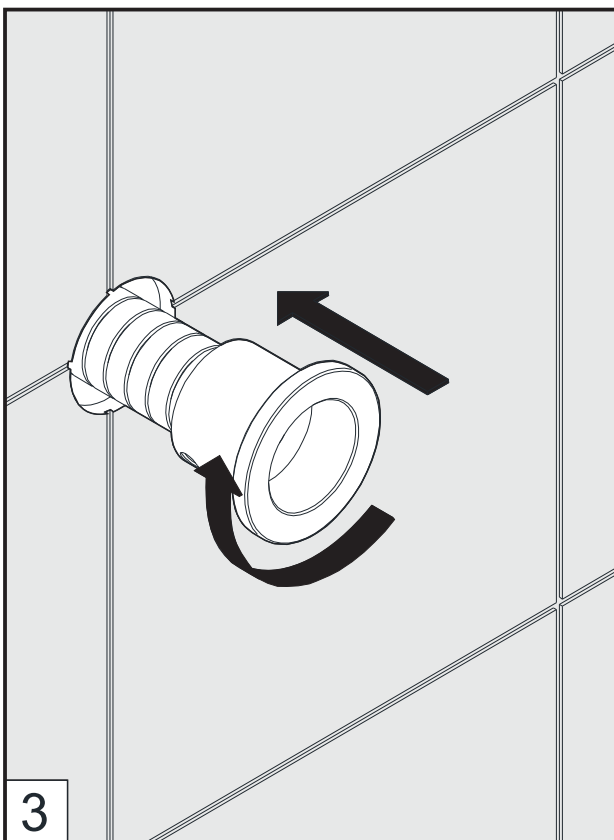
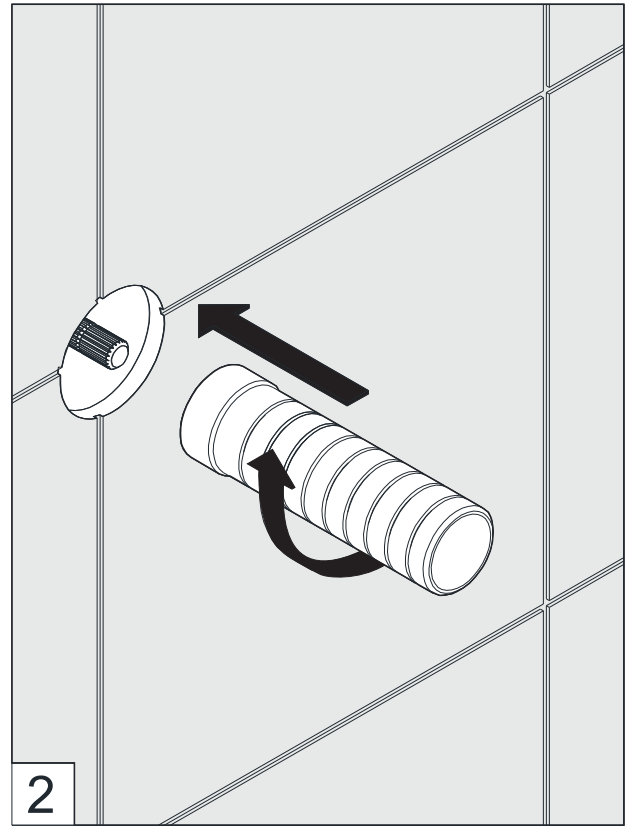
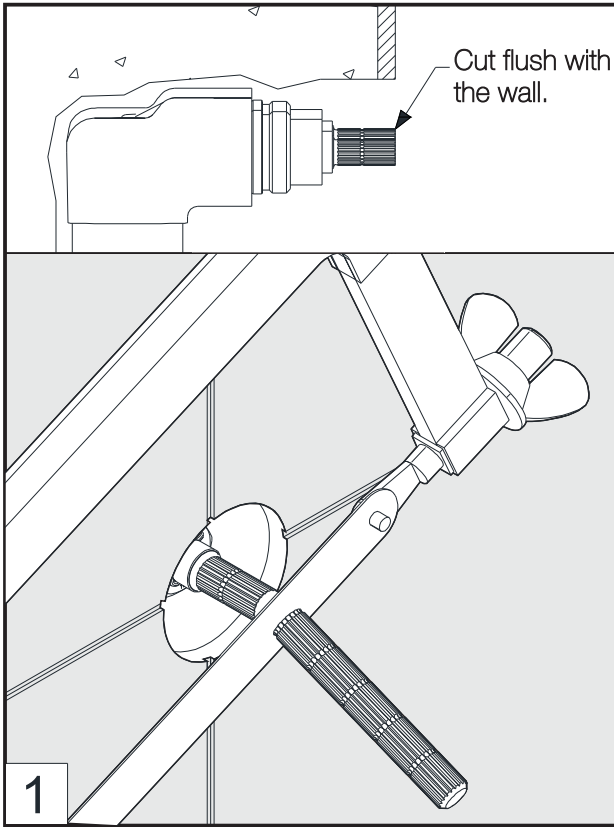
Wall-mounted lavatory set. Trim only

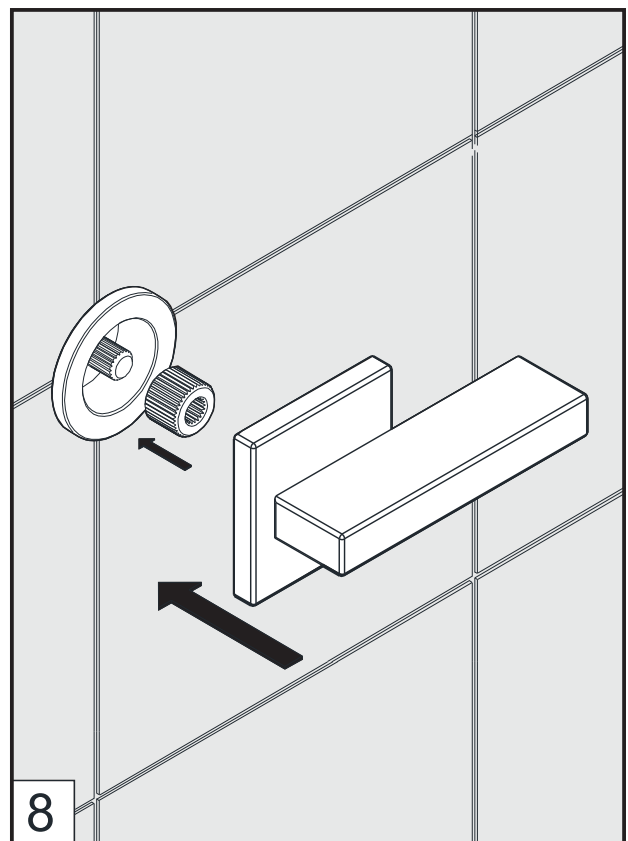
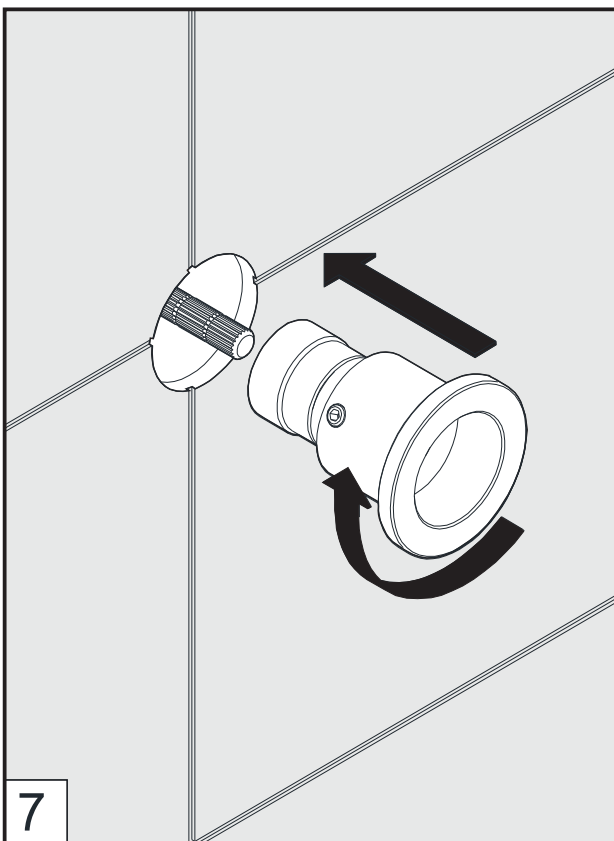
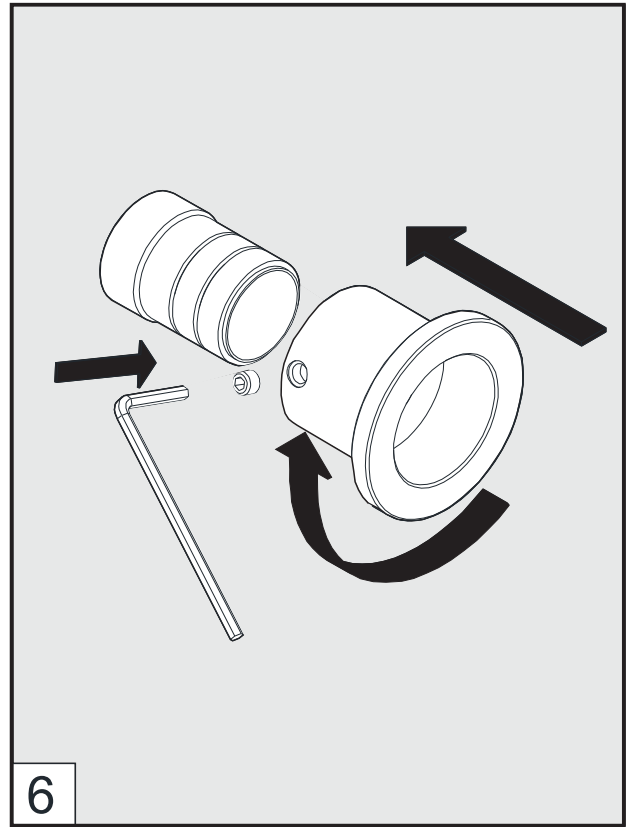
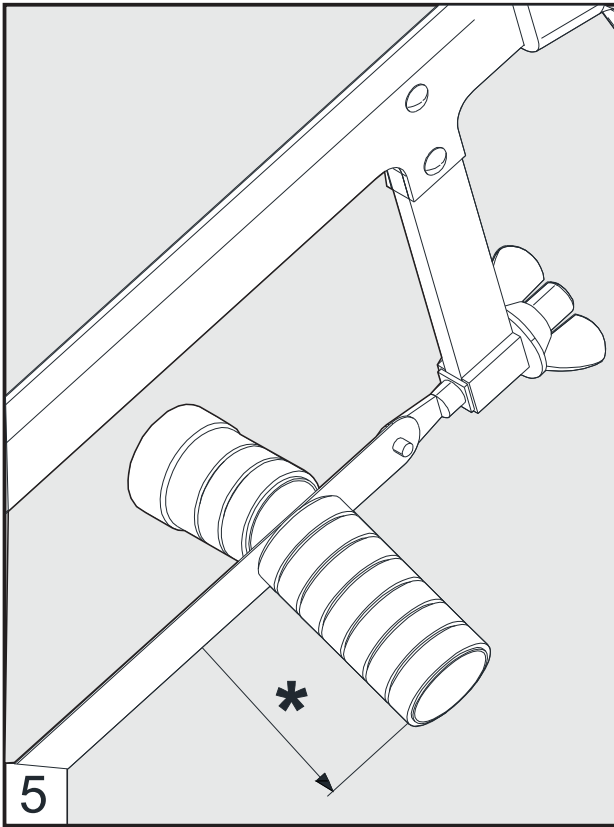


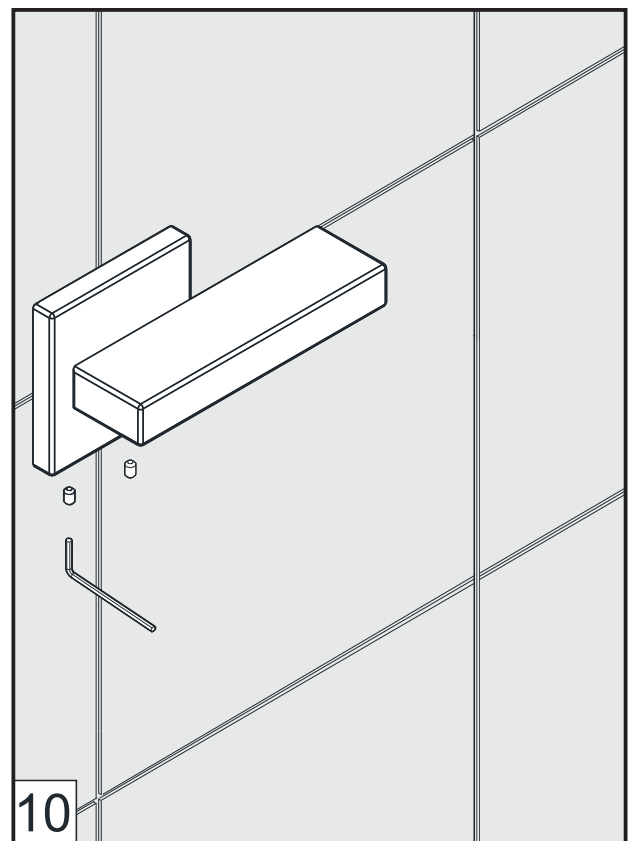
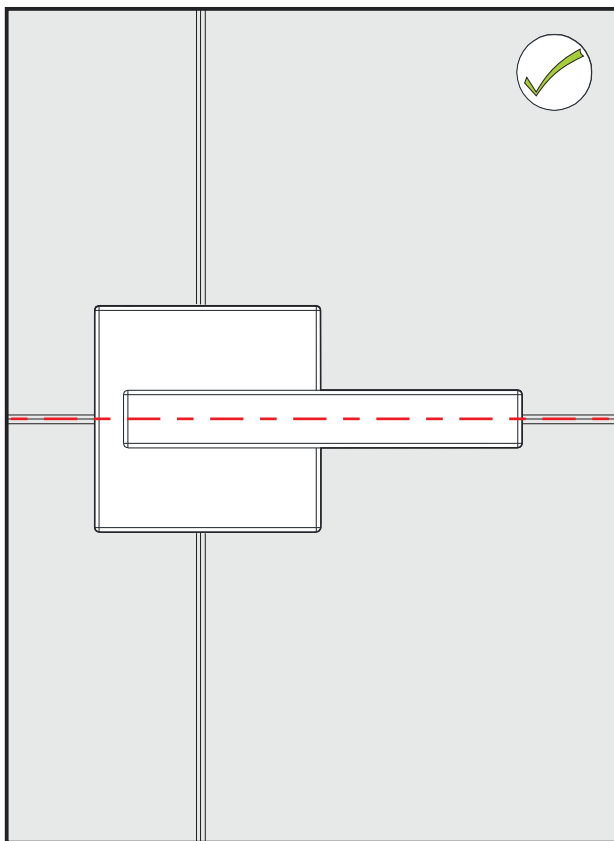
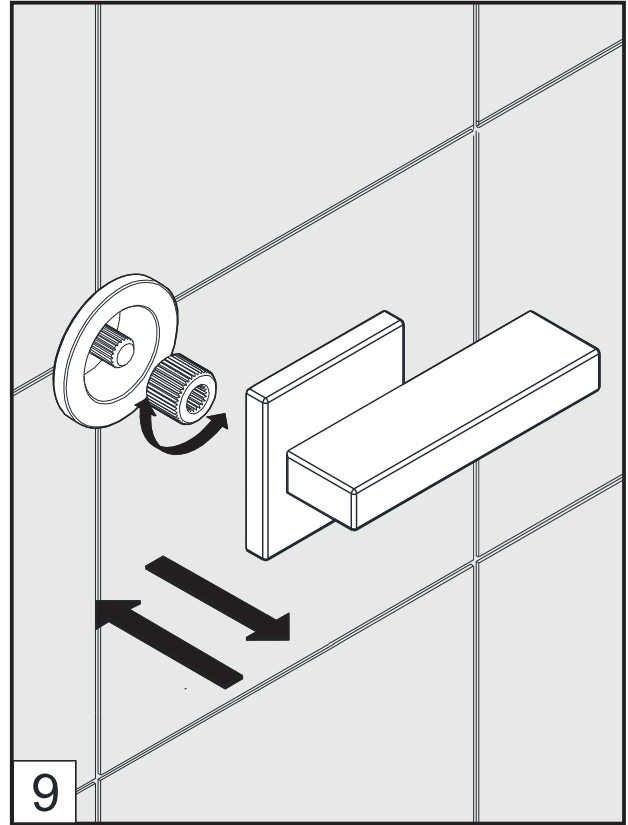
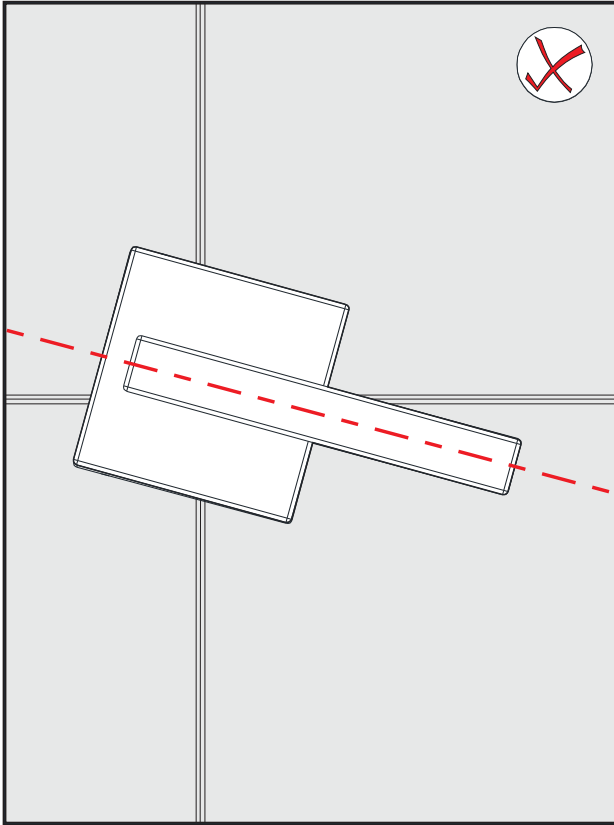
MEASURES



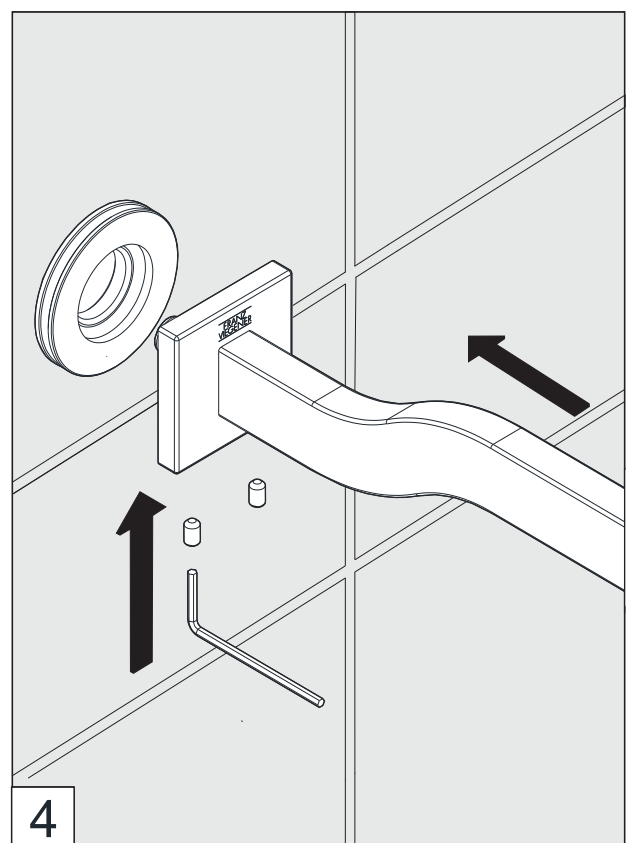
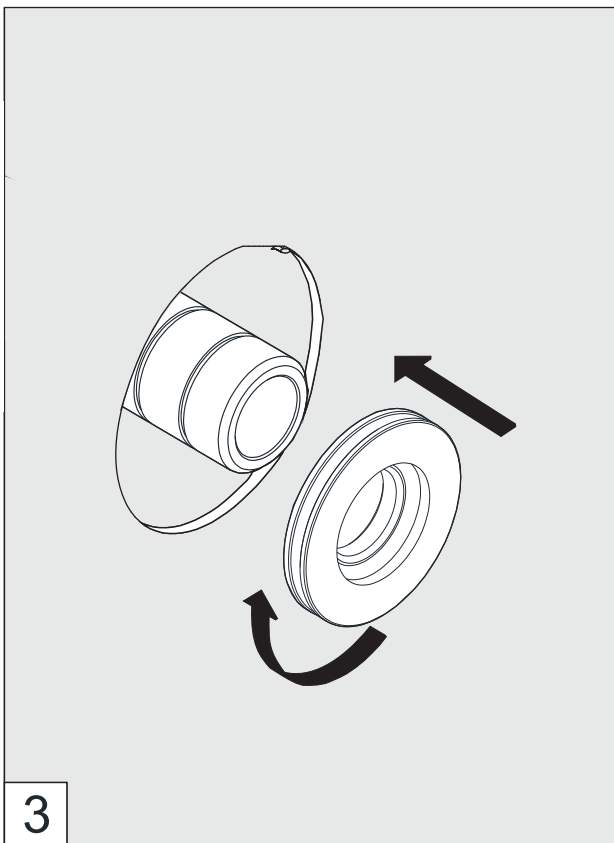
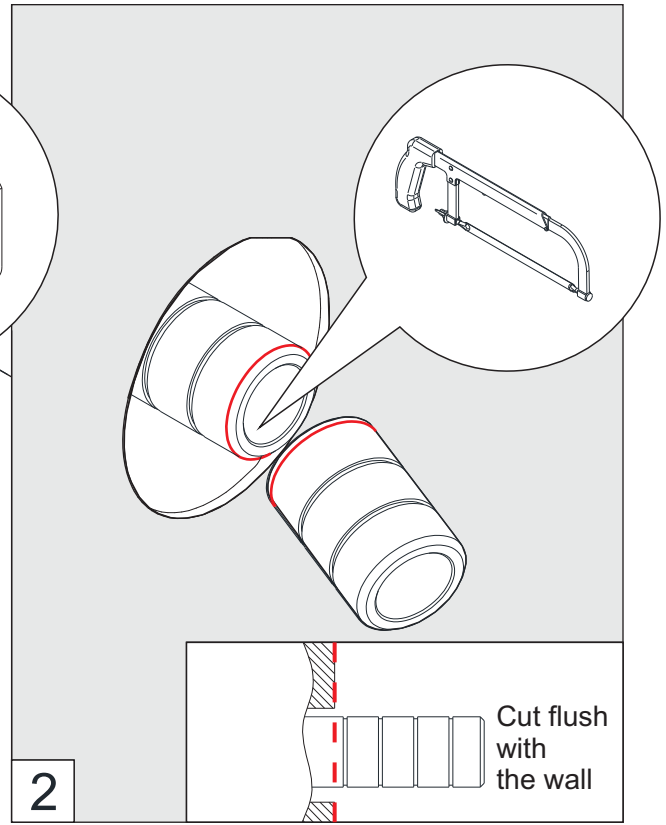
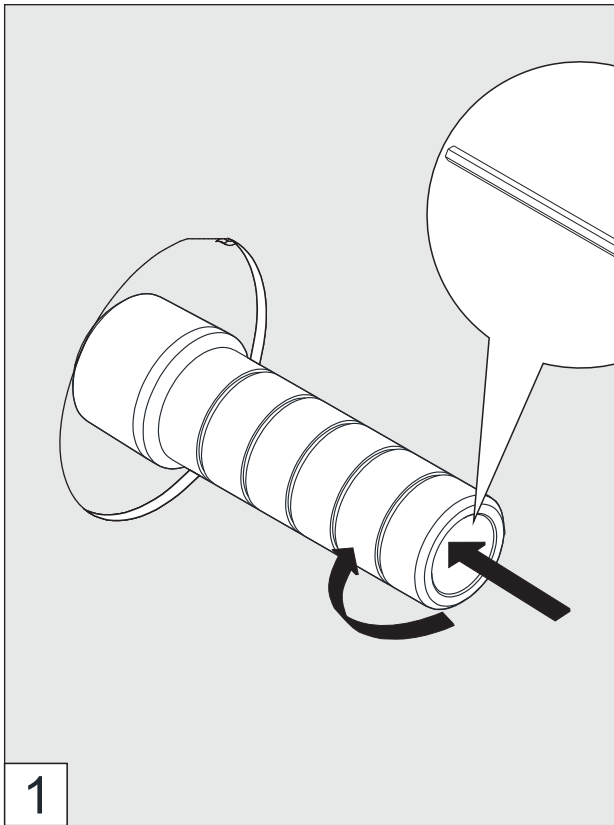
Handle installation.

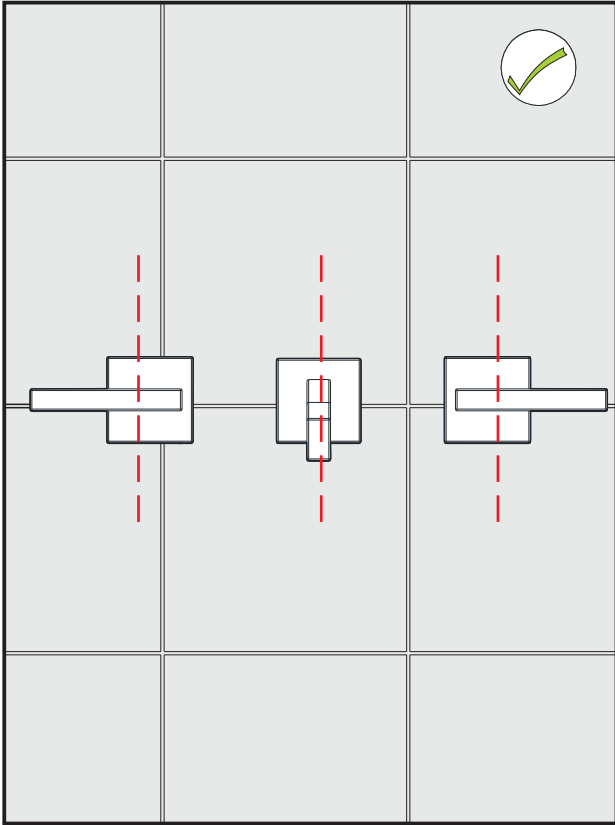
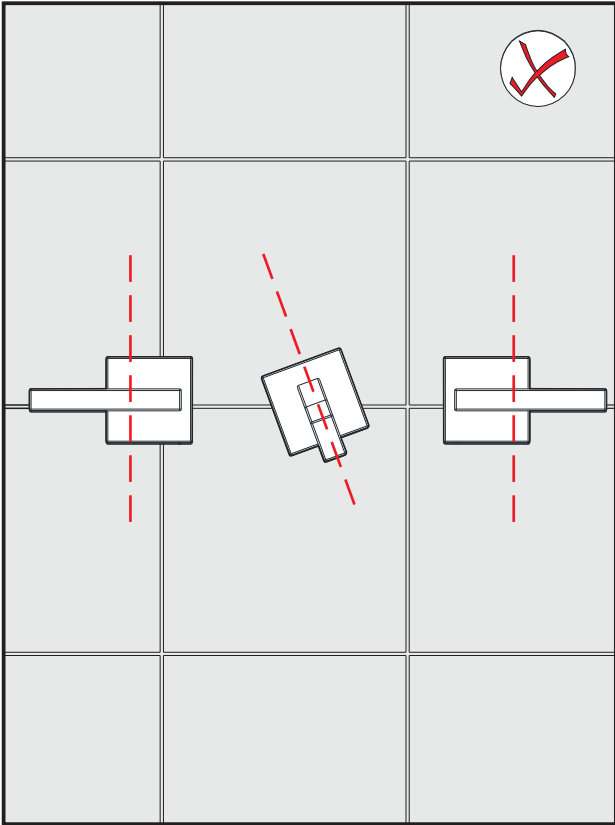




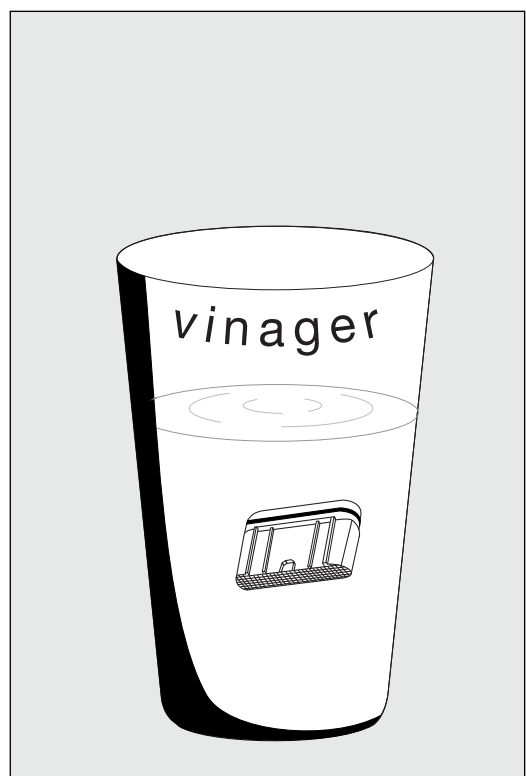
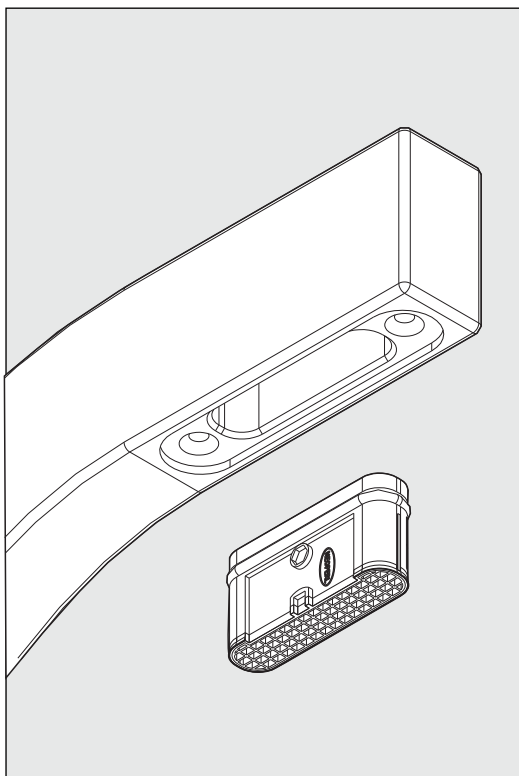
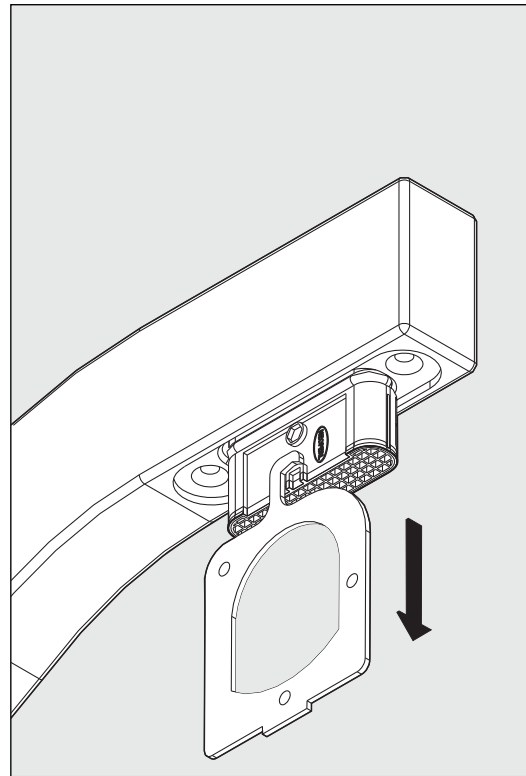
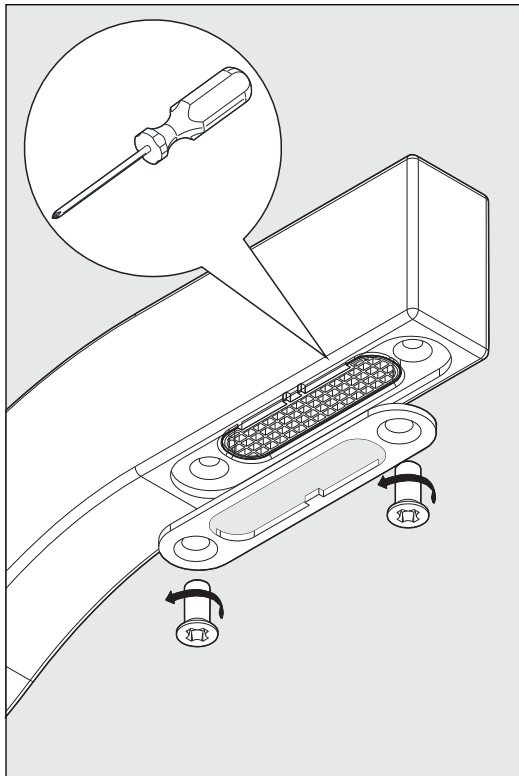


Spout installation.





Nozzle usage instructions and cleaning



Finished Installation.



Notes

FRANZ VIEGENER

a FV S.A. Company

4000 Porett Drive • Gurnee Illinois 60031

Phone 847-244-1234 / Fax 847-244-1259

FRANZ VIEGENER reserve the right to make revisions without notice in the design of faucets and bathroom accessories or in packaging.
FOLFV203/K2 / September, 2015.