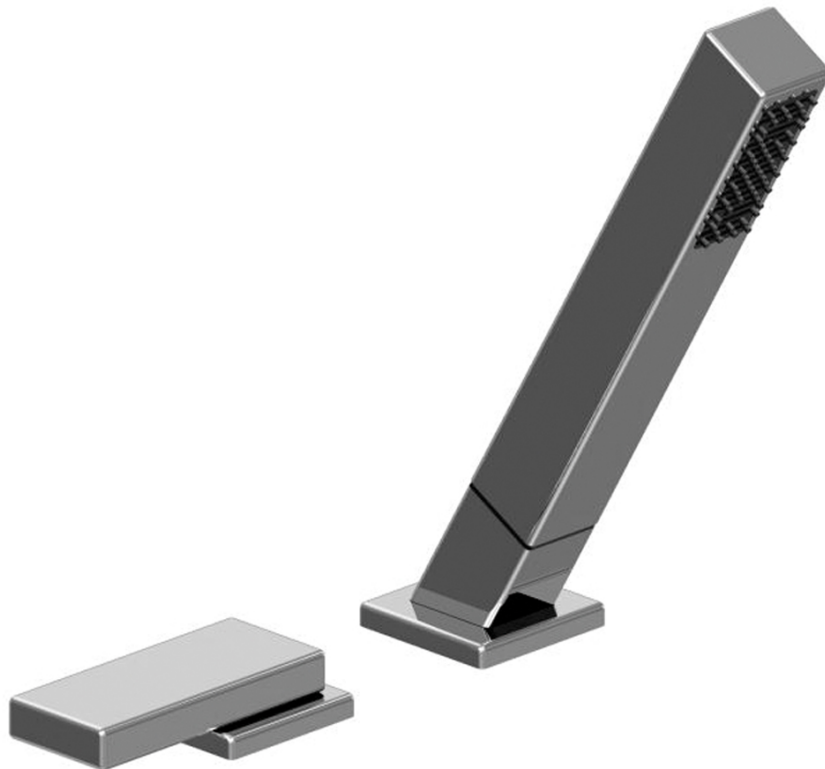


FRANZ VIEGENER

Skyline

i n s t a l l a t i o n



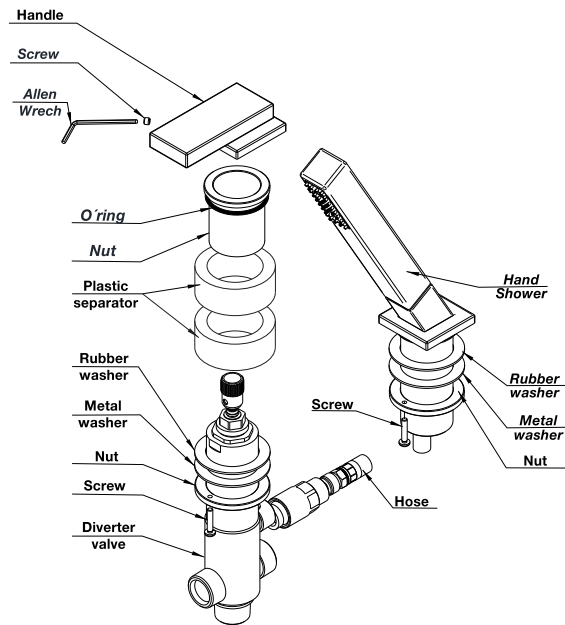
FV133/J9.0

Exploded view

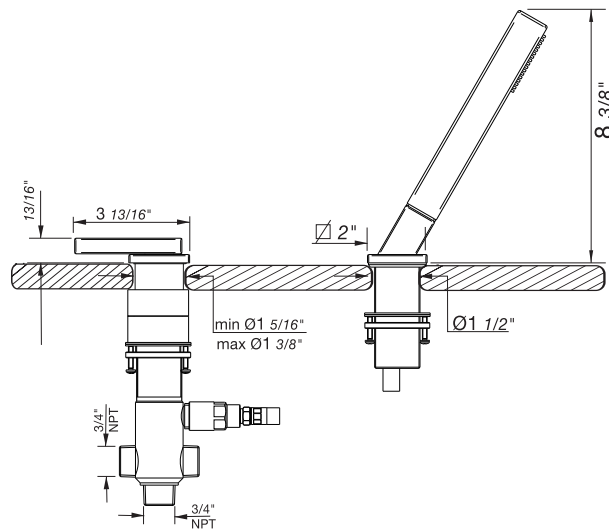
Line J9

FV133/J9.0

Hand shower, diverter valve
with complete handle.



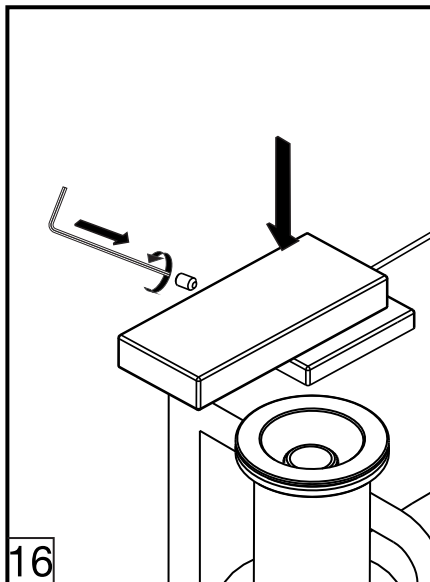
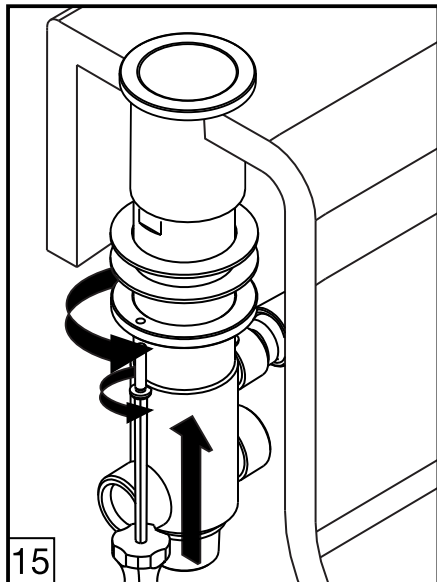
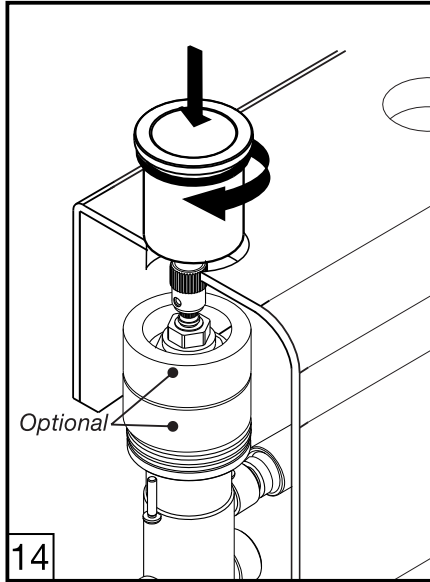
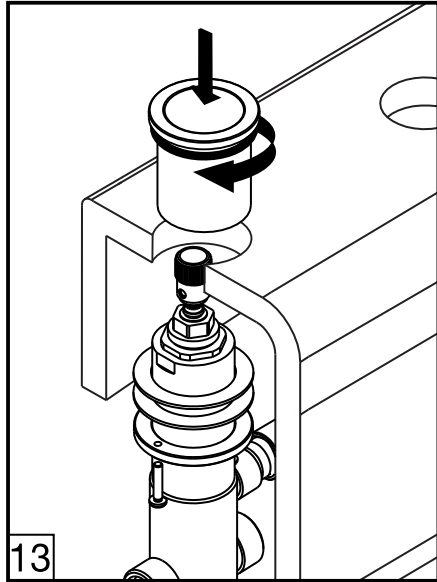
Measures



Installation

Line J9

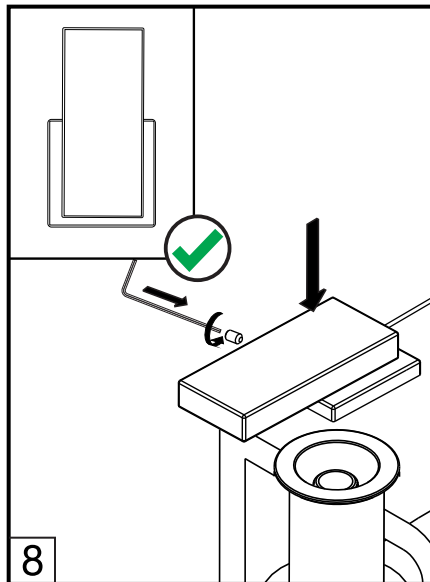
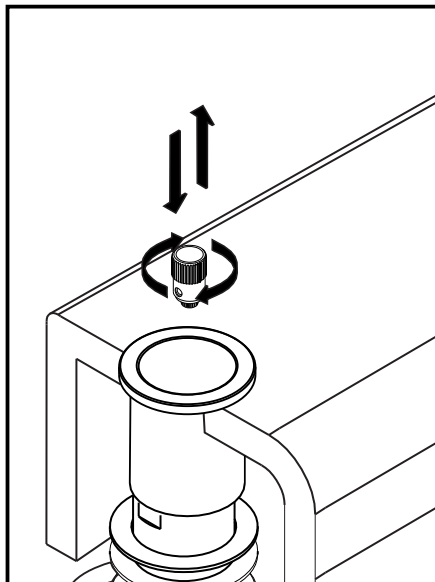
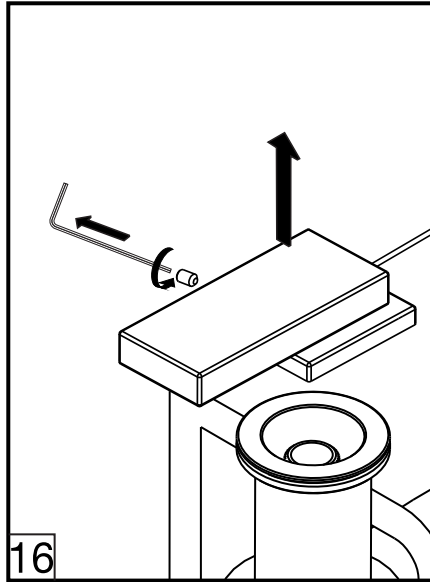
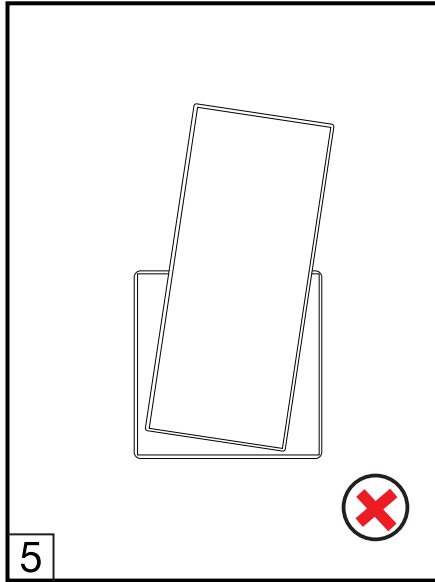
Valve and handle installation



Installation

Line J9

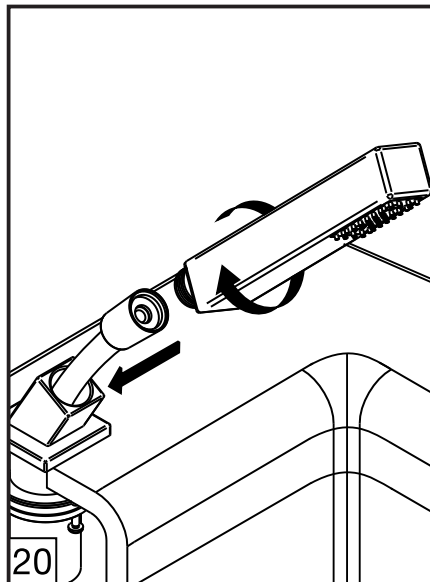
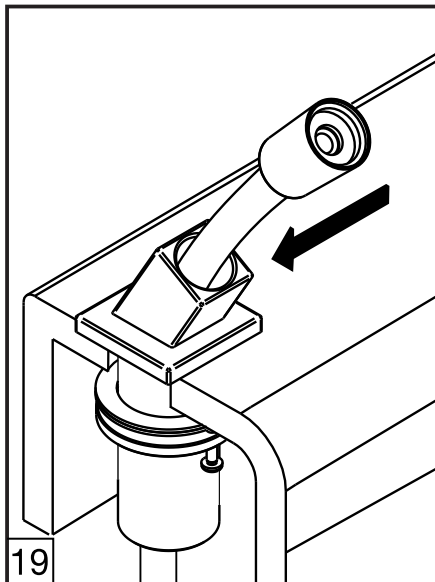
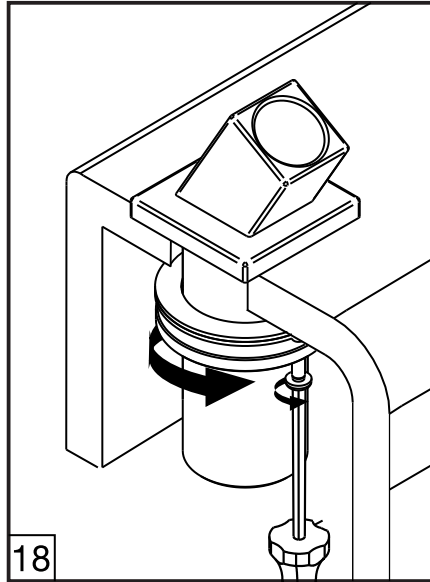
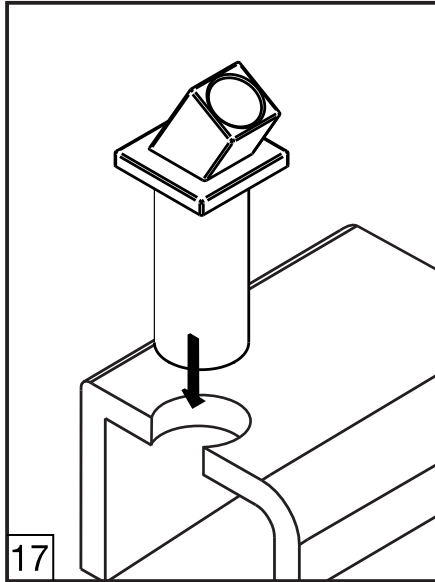
Valve and handle installation



Installation

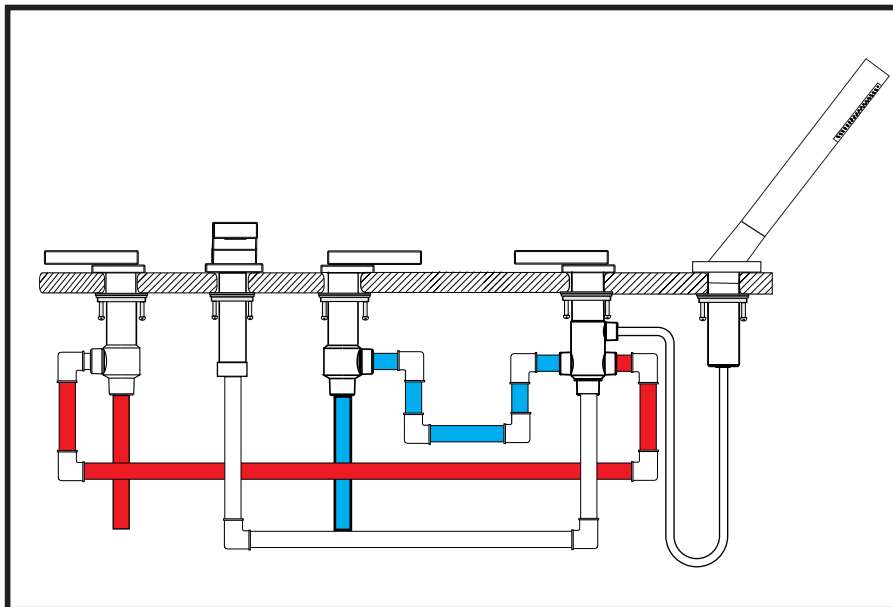
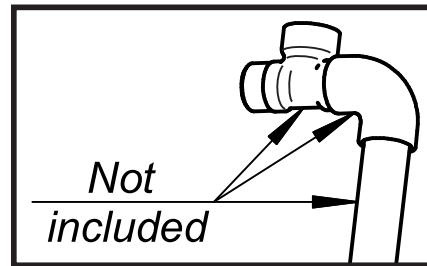
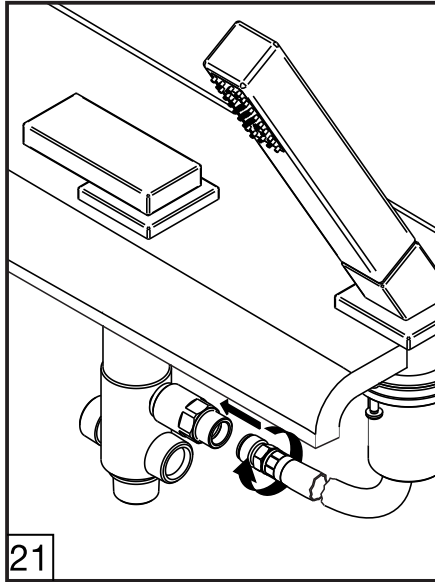
Line J9

Handle shower installation

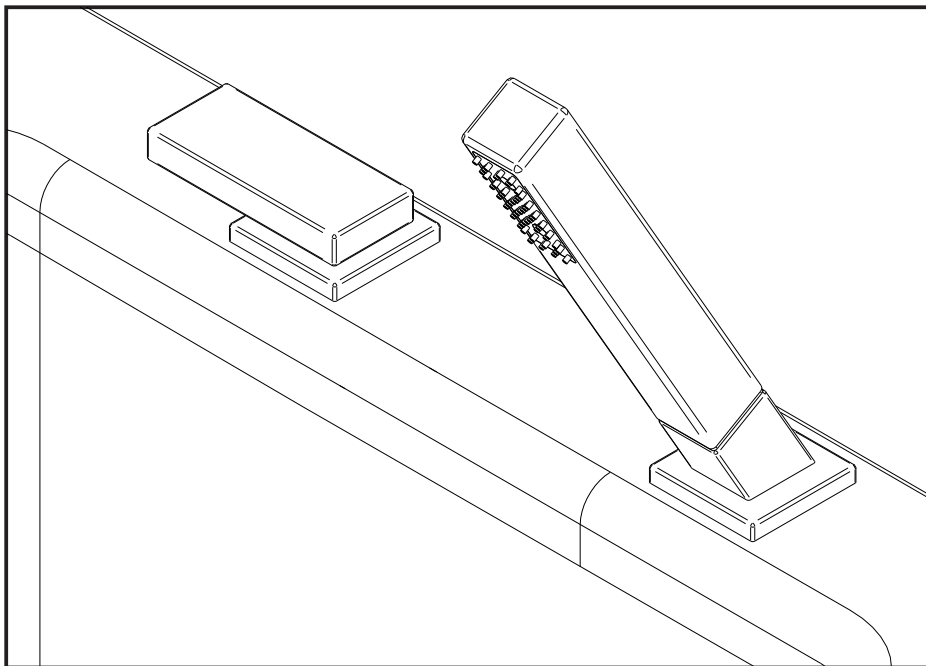


Installation

Line J9



Finished installation



FRANZ VIEGENER

A FV S.A. company.

4000 Porett Drive • Gurnee Illinois 60031

Phone 847-244-1234 / Fax 847-244-1259

FRANZ VIEGENER reserve the right to make revisions without notice in the design of faucets and bathroom accessories or in packaging.
FOLLFV210/J9 / Edition N° 1 _ December, 2013.
