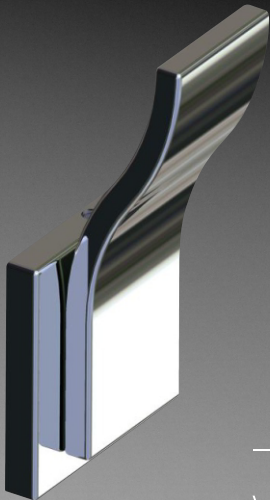


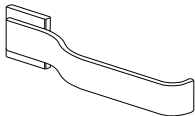
accessories skyline

Installation

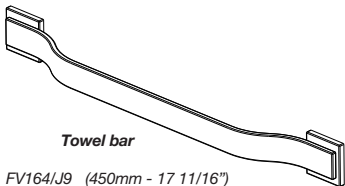


FRANZ
VIEGNER

Accessories



Towel holder
FV163/J9

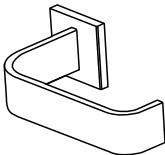


Towel bar

FV164/J9 (450mm - 17 11/16")
FV164.01/J9 (600mm - 23 5/8")
FV164.02/J9 (750mm - 29 1/2")



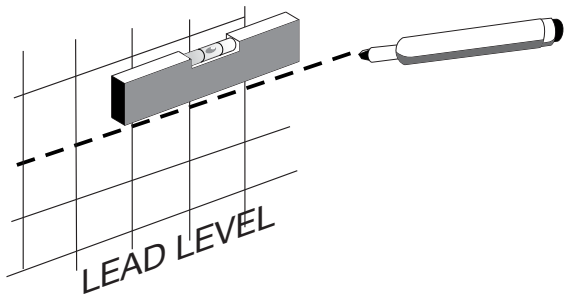
Robe hook
FV166/J9



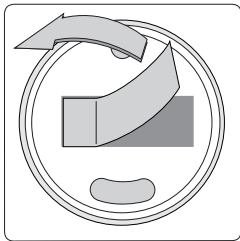
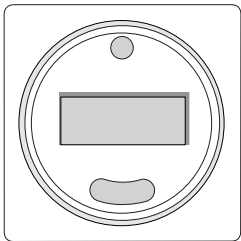
Toilet roll holder
FV167/J9

Accessories Skyline

①

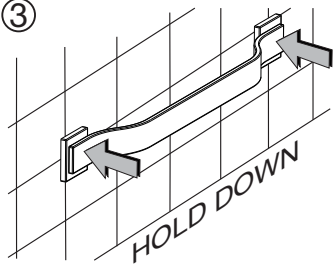


②

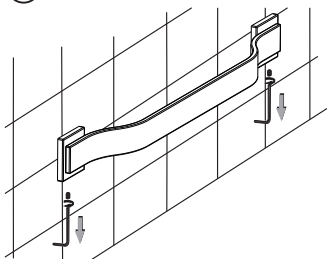


Accessories Skyline

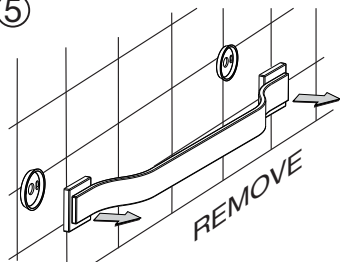
③



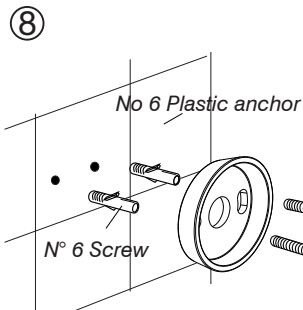
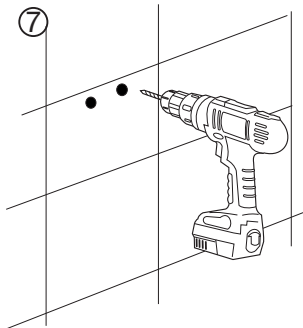
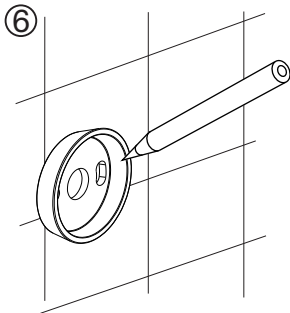
④



⑤



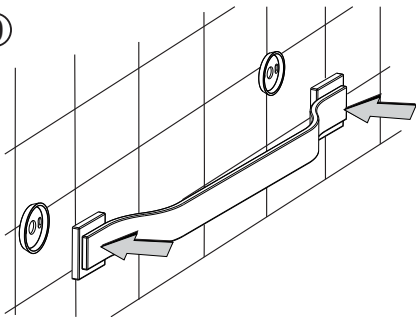
Accessories Skyline



_Affix the support to the wall using the screws and the plastic anchors provided. Repeat the procedure (6,7,8) to complete the fixation of the support.

Accessories Skyline

9



10

