

FRANZ VIEGENER

**FREESTANDING**

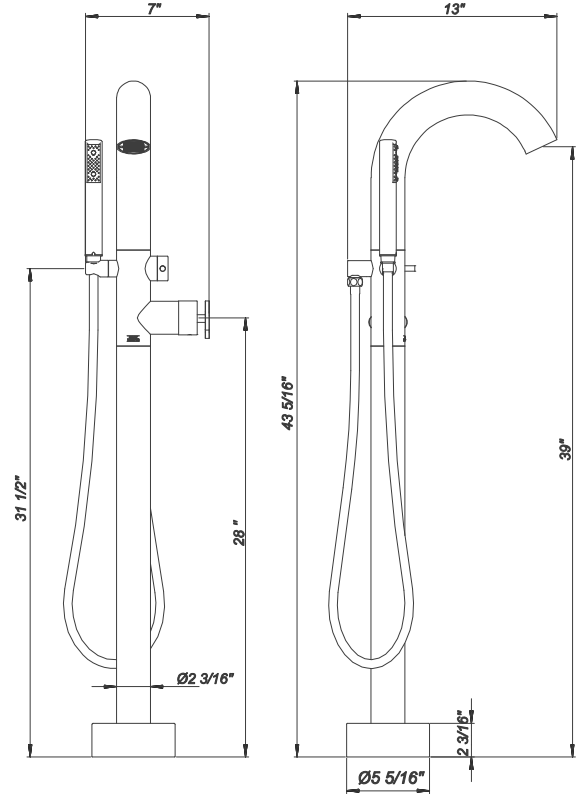
*installation*



**FV215/J1.0**  
**FV215/59.0**

**FREESTANDING TUB FILLER FAUCET - TRIM ONLY**

**FV215/J1.0-59.0**  
Freestanding trim only  
Measures




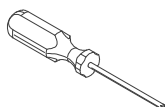
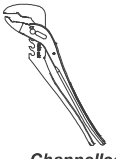


**FREESTANDING TUB FILLER FAUCET - TRIM ONLY**

**CONGRATULATIONS !**

This product has been subjected to stringent tests for its quality, performance and finish. We guarantee years of trouble free operation. We thank you for your choice and above all for the trust you are placing in us. This trust is what motivates us to improve every day.

Before connecting the faucet to the water supply, flush the tubing thoroughly to eliminate any residue.

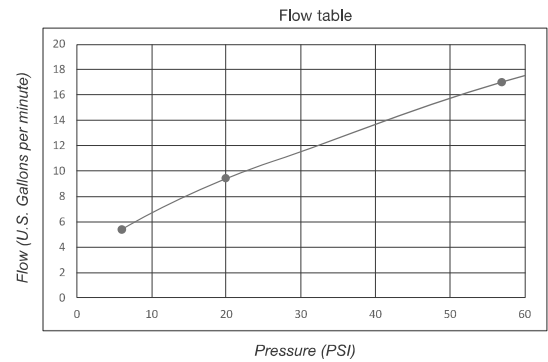
**Required installation tools.**

Provided.	Not provided.	
 <b>Allen wrench.</b> (2,5 mm)	 <b>Phillips Screwdriver</b>	 <b>Channellock.</b>
 <b>Allen wrench.</b> (4 mm)		
 <b>Allen wrench.</b> (6 mm)		

**FREESTANDING TUB FILLER FAUCET - TRIM ONLY**

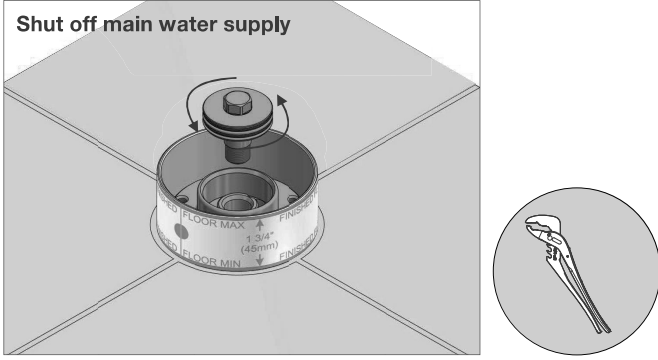
**FV215/J1.0**  
**Technical data**

Minimum outlet flow rate at constant pressure 20 PSI and minimum feed flow rate of 17 gal. per minute: 9,5 gal. per minute

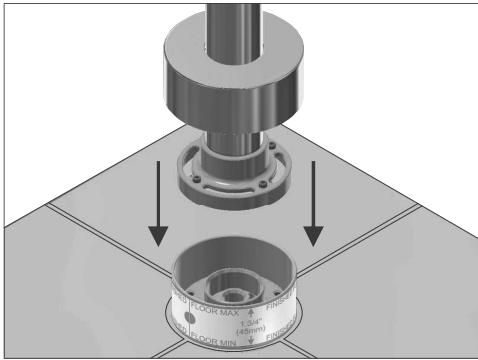
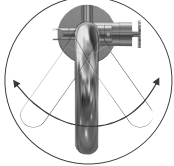


FV215/J1.0  
Mounting Freestanding

Shut off main water supply

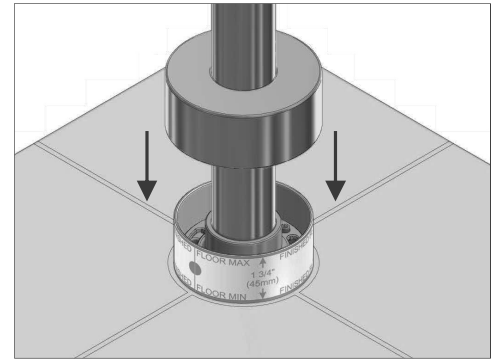
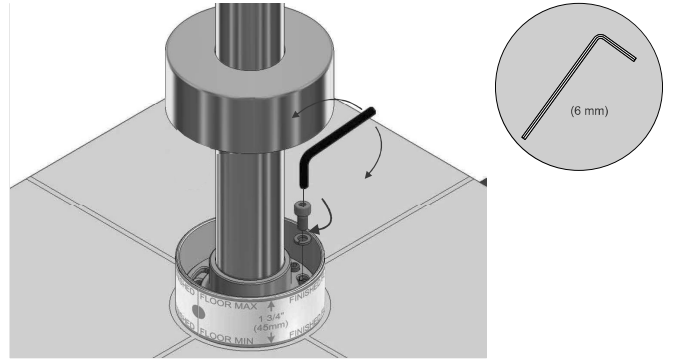


360° Rotating  
Adjustable Position



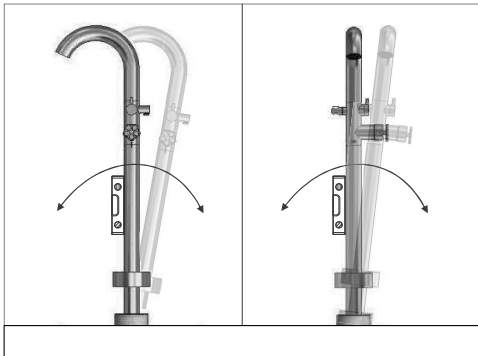
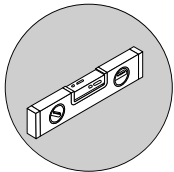
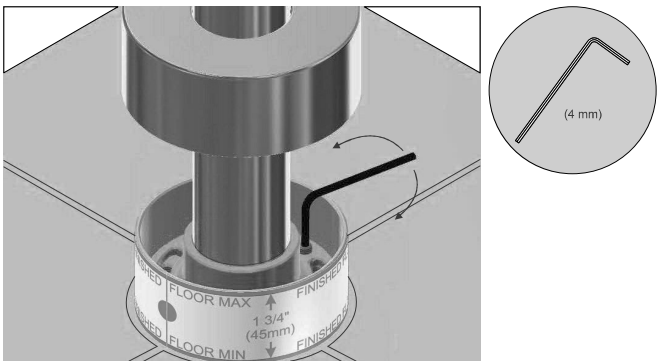
4

Final adjust

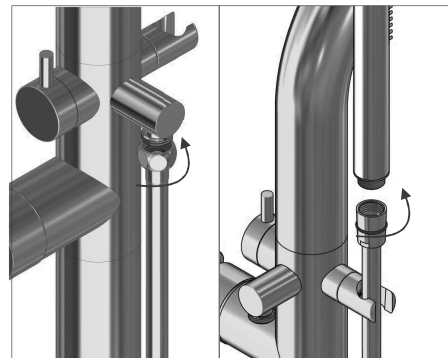


6

Vertical Level



5



Installation is now complete.  
Turn on main water supply

7

