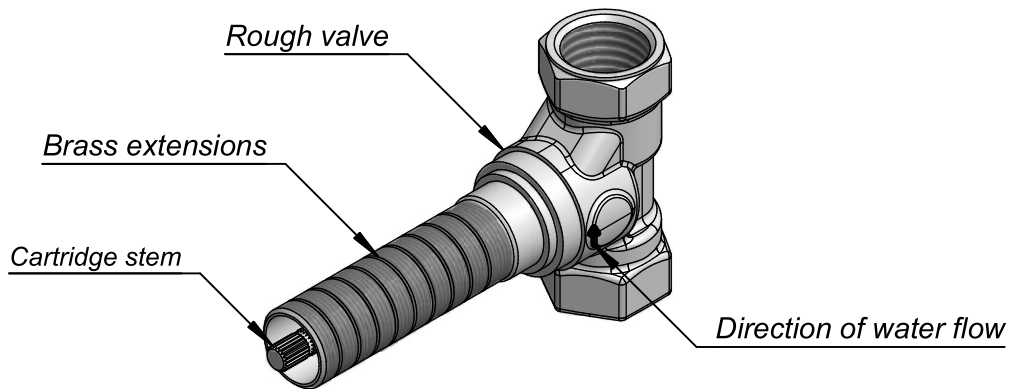
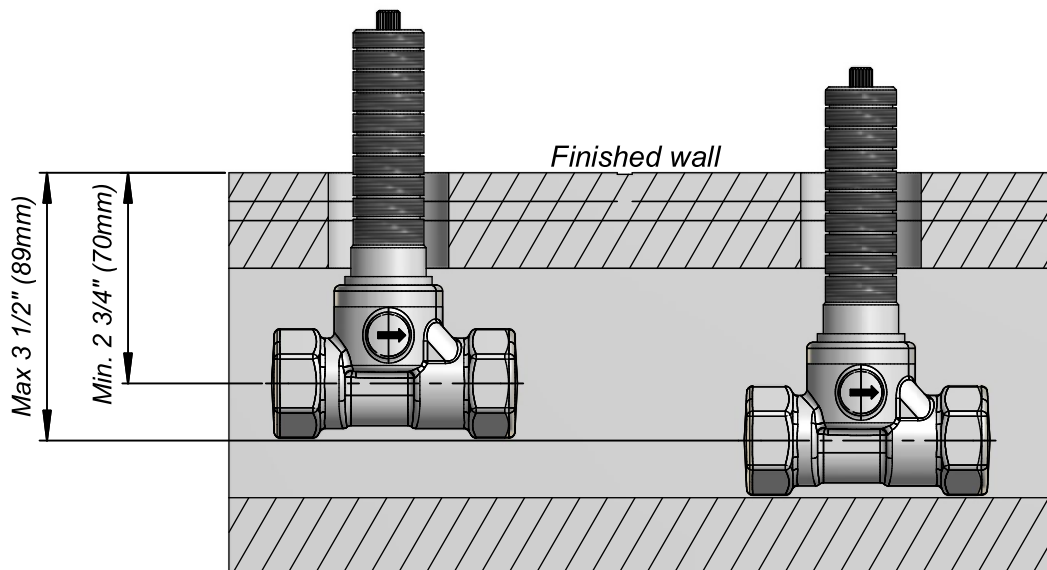


FV480.BASE 19 - 3/4" Stop valve / Volume control



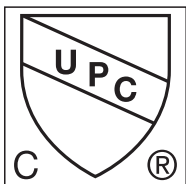
*Installation levels*



*These measures are for lines:*

- |                        |                             |
|------------------------|-----------------------------|
| <i>Libby - 39</i>      | <i>City - 88</i>            |
| <i>Alesia - 49</i>     | <i>Industrial Chic - J1</i> |
| <i>Revere - 58</i>     | <i>Lollipop - J2</i>        |
| <i>Nerea - 59</i>      | <i>Edge - J3</i>            |
| <i>Casablanca - 60</i> | <i>Domino - J4</i>          |
| <i>Dominic - 85</i>    | <i>Skyline - J9</i>         |

*If you have a different line please contact your dealer*



**Warning:**

*To prevent severe damage to valve, any solder/braze process must be performed a min. of 4" from ports.*

**FRANZ VIEGENER**

**a FV S.A. Company**

**4000 Porett Drive . Gurnee Illinois 60031**

**Phone 847-244-1234/Fax 847-244-1259**