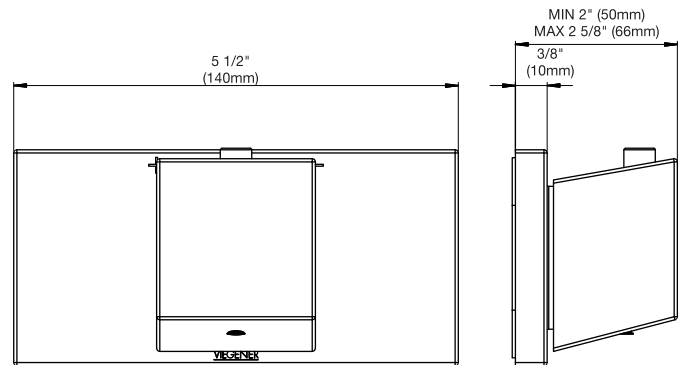
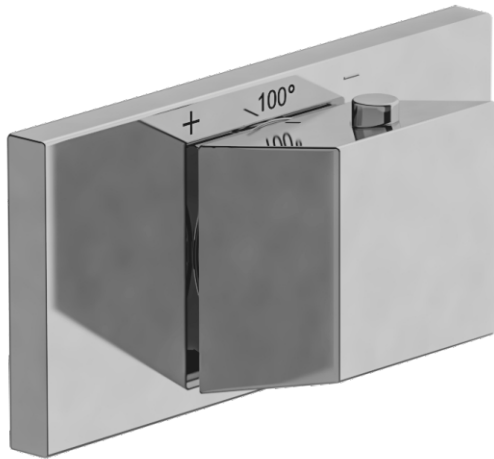


BUZZ - FV217/J8.0

Thermostatic wall valve - trim only.

Conjunto decorativo para juego termostático.

FRANZ
VIEGENER



FEATURES

CARACTERÍSTICAS

- All brass construction.
Producto realizado íntegramente en latón.
- Safety stop devicde (100°F)
Dispositivo de detencion segura (38°C).

FLOW RATE

CAUDAL

COLOR / FINISHES

COLOR / ACABADOS



PC
Polished Chrome.



PN
Polished Nickel - PVD



BN
Brushed Nickel - PVD



BG
Brushed Gold - PVD



PG
Polished Gold - PVD



RG
Rose Gold - PVD



FB
Flat Black.



BK
Black - PVD



SGR
Satin Greystone - PVD



UPB
*Unlacquered
Polished Brass.*



BB
Brushed Brass - PVD



PB
Polished Brass - PVD

ITEM DETAILS

DETALLE DE PRODUCTO

COMPLIANCE

CERTIFICACIONES



C