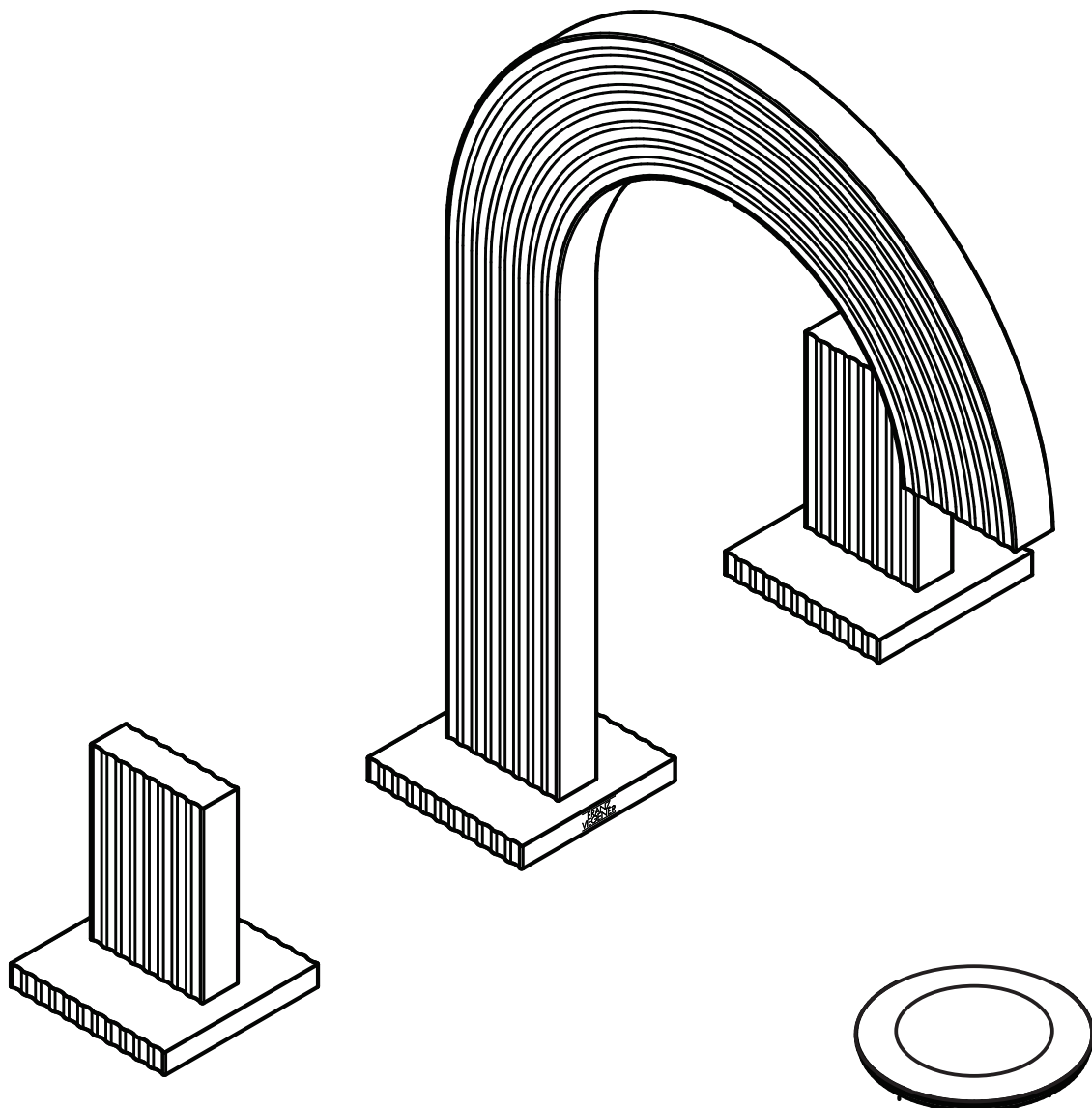


Installation and maintenance / Instalación y mantenimiento

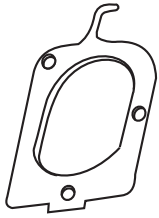
Before connecting the faucet to the water supply flush the tubing thoroughly to eliminate any residue/
Antes de conectar la grifería a la distribución de agua, purgue muy bien la cañería a fin de eliminar partículas extrañas.

FV207/F4 - Widespread lavatory/ Juego de lavatorio.

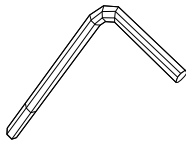


Required installation tools

Provided

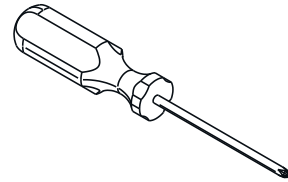


Aerator Tool

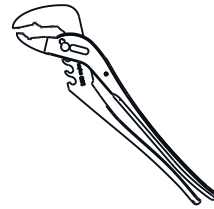


Allen Wrench

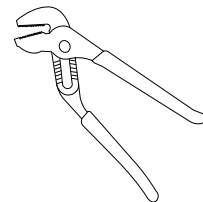
Not Provided



Phillips screwdriver

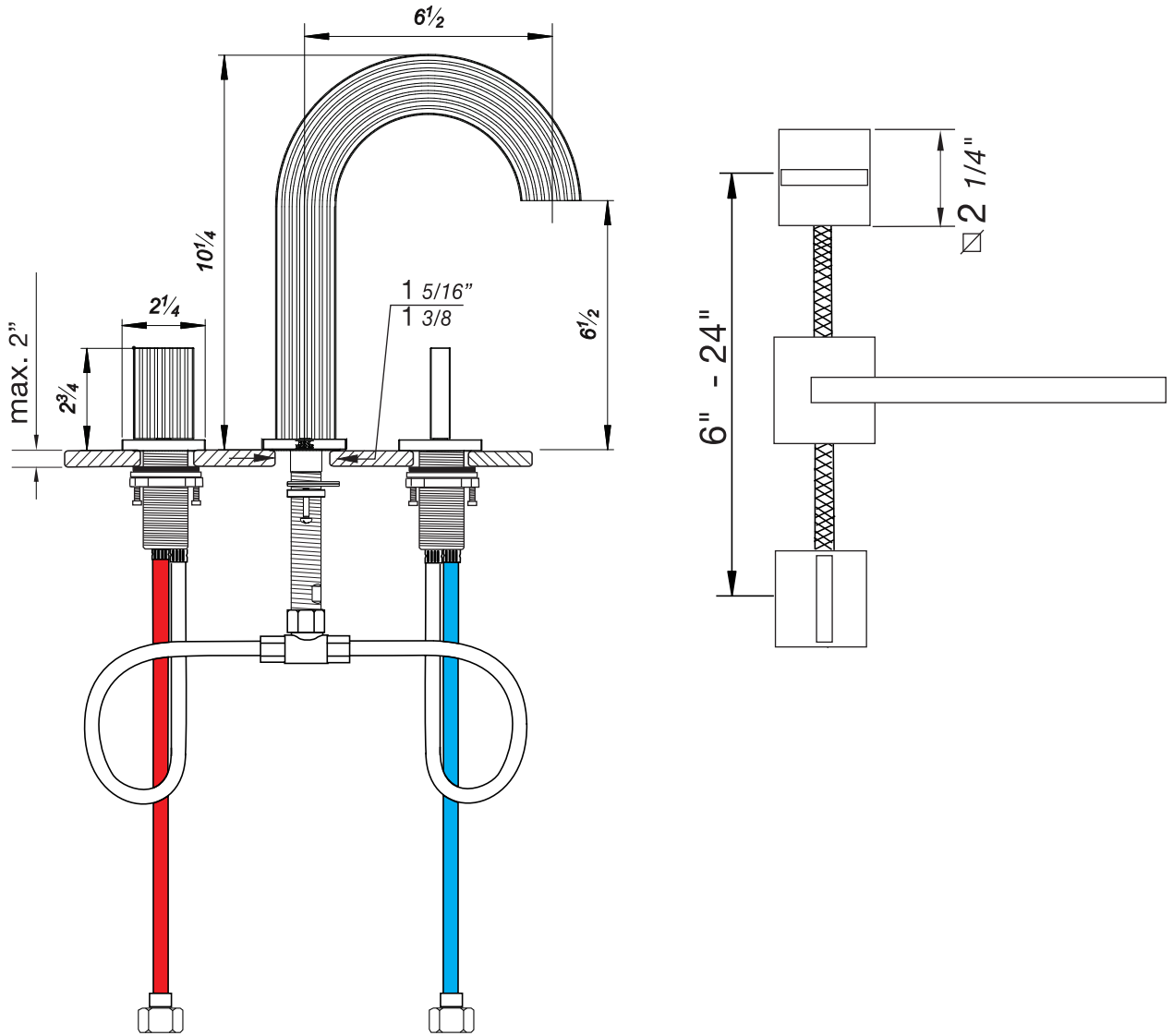


Channellock

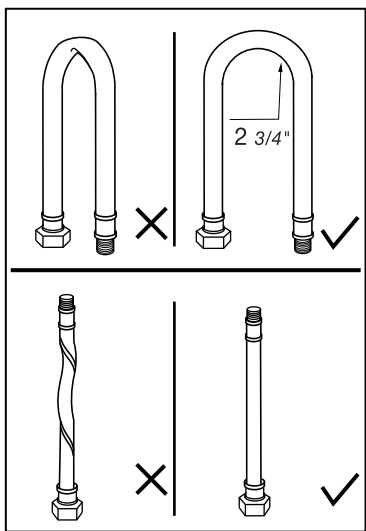
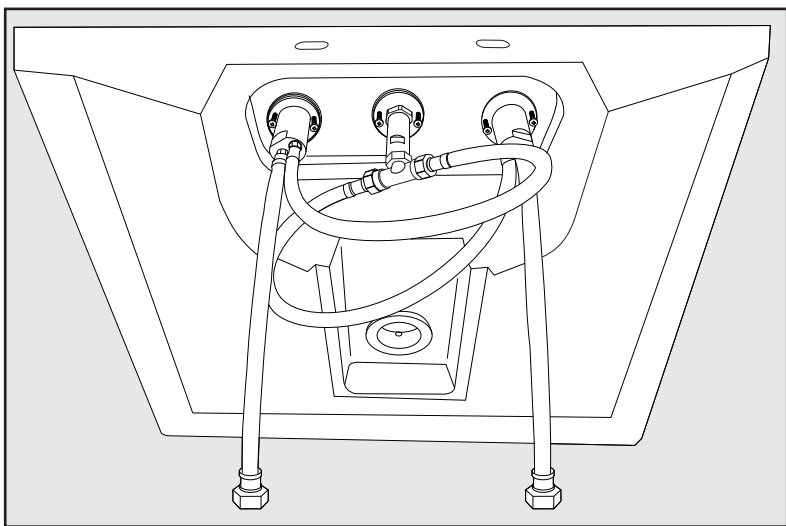


Adjustable Wrench

Measures

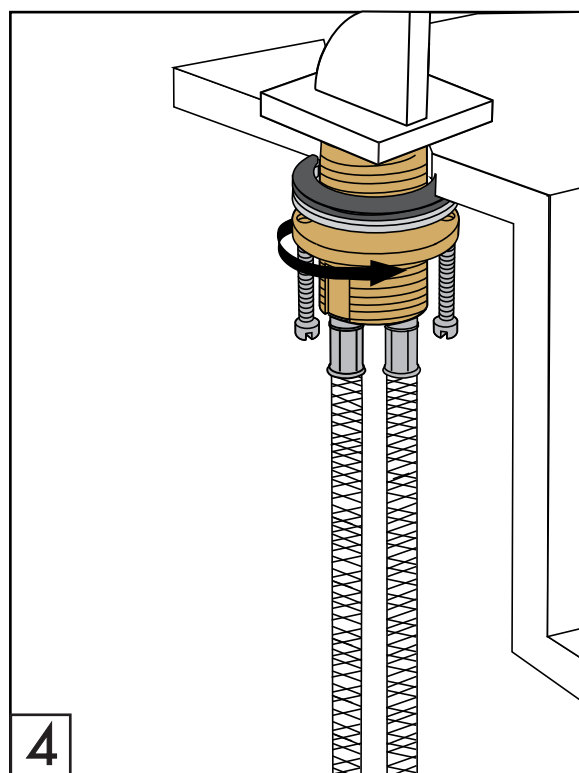
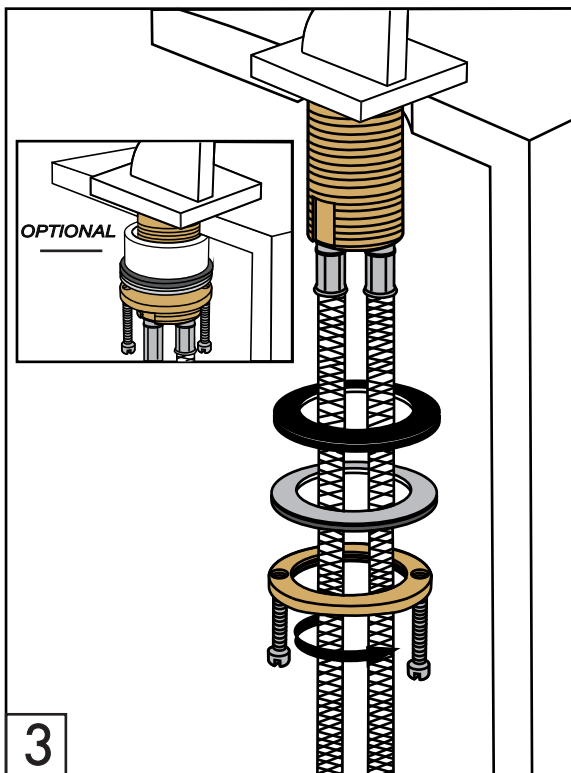
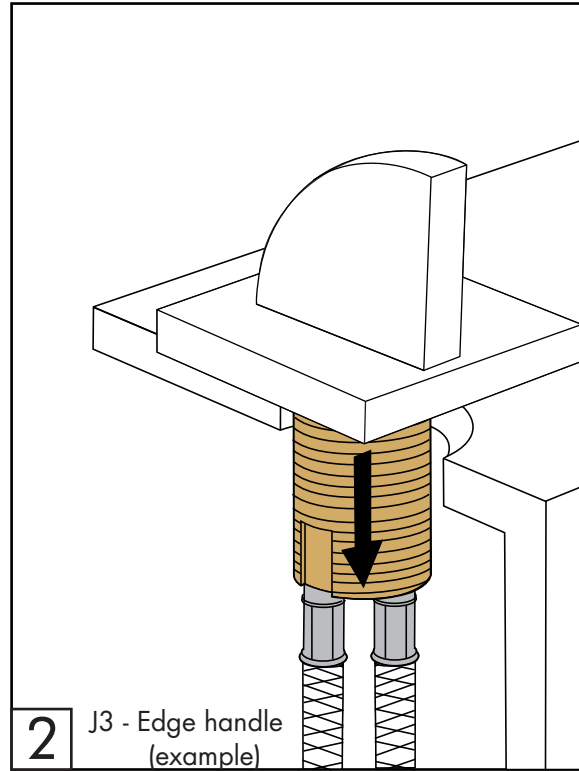
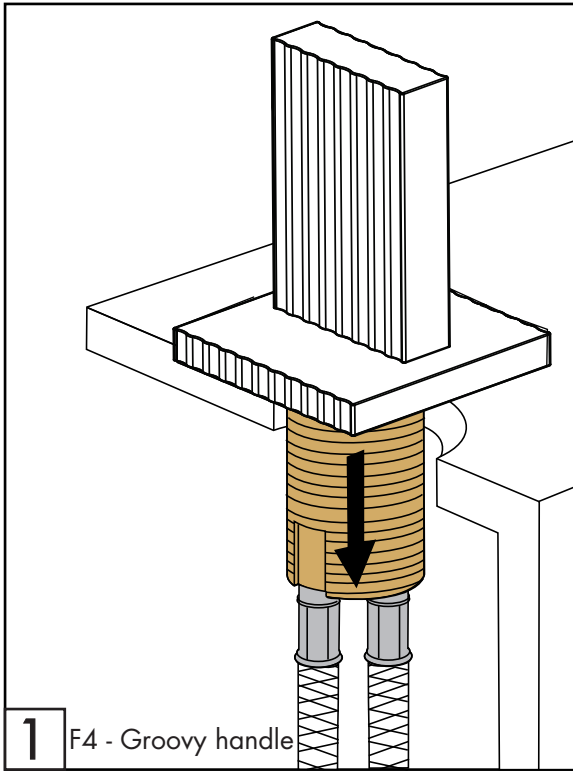


Minimum flow rate out at required constant pressure, 20 PSI and minimum flow rate for feed from 5.3 gal per min (for hot and cold connections): 2,2 gal per min



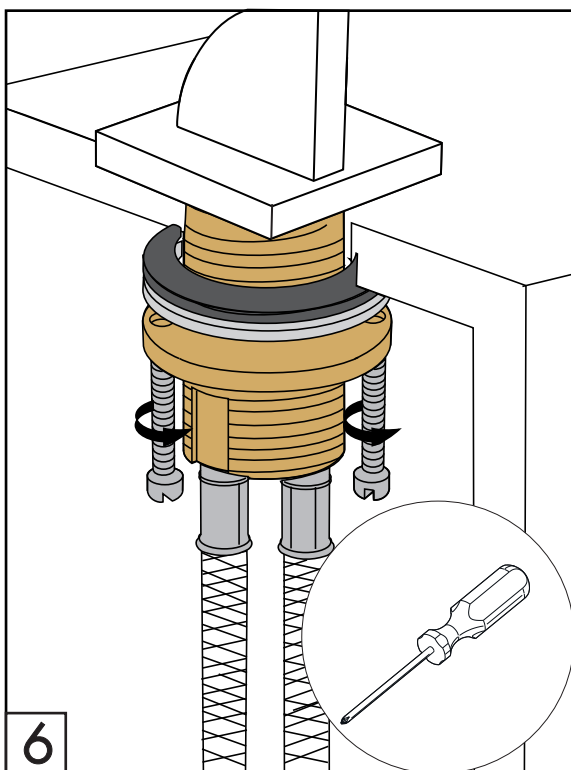
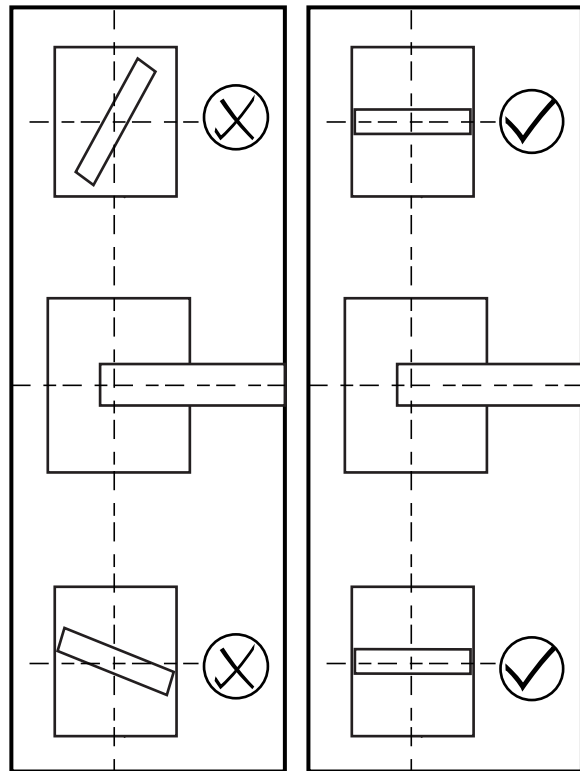
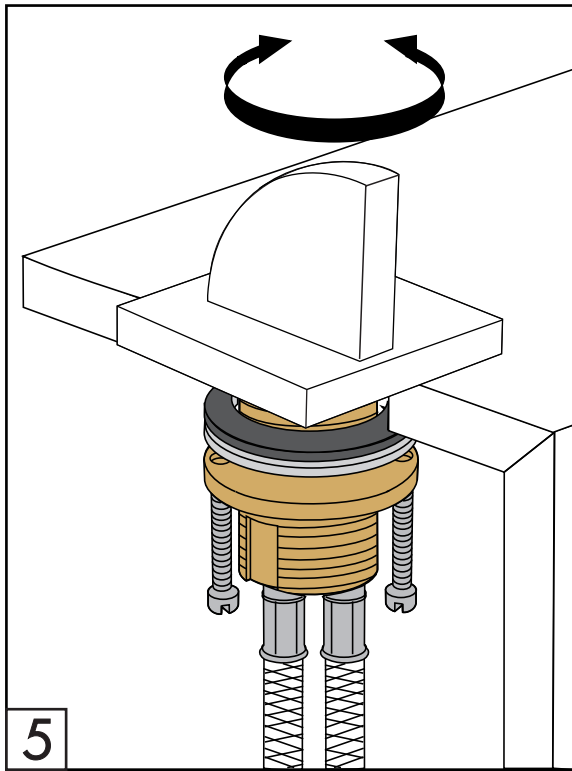
Installation

Handle installation.



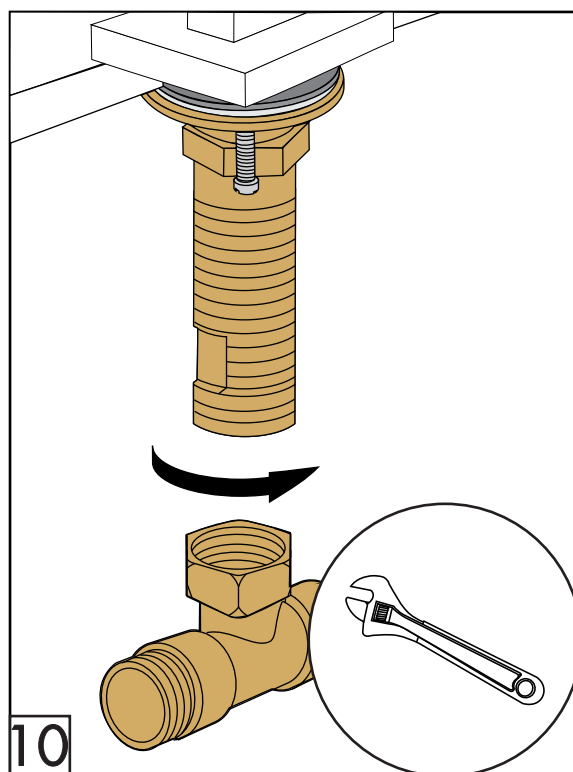
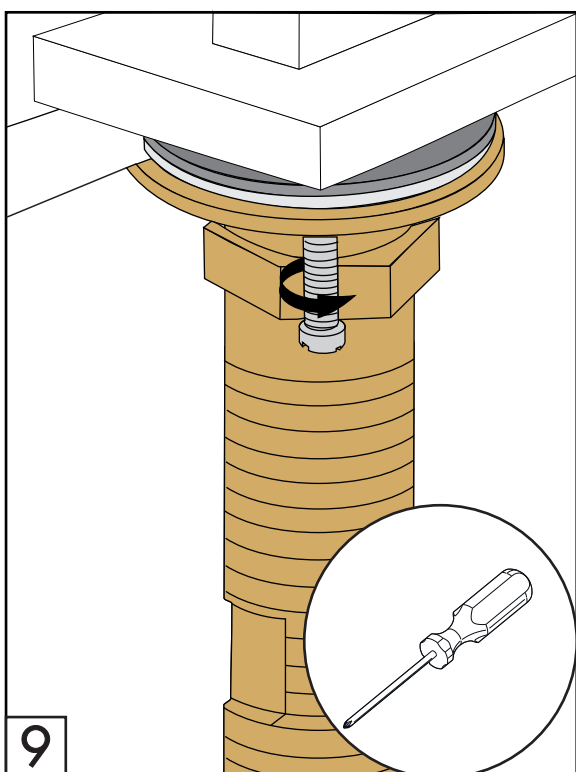
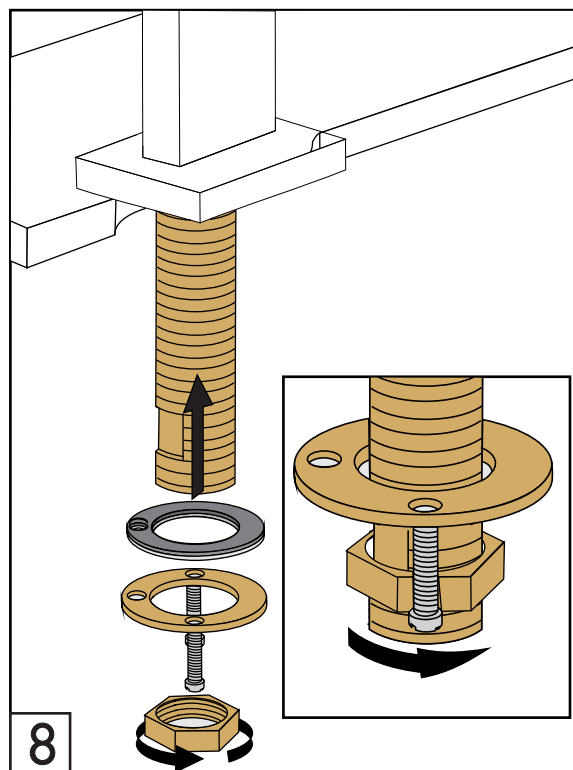
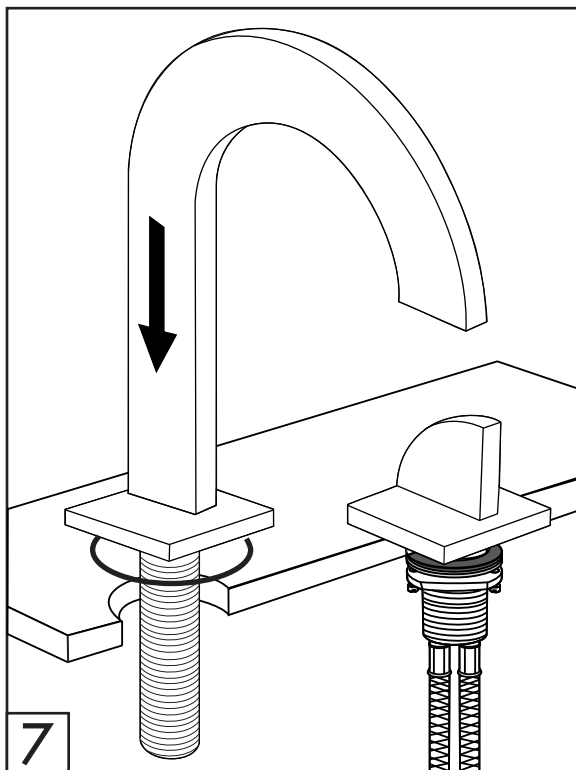
Installation

Handle installation.



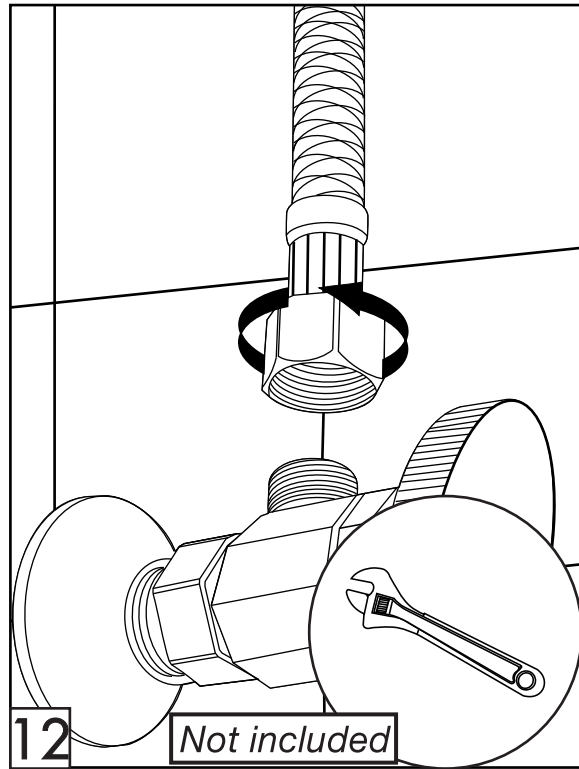
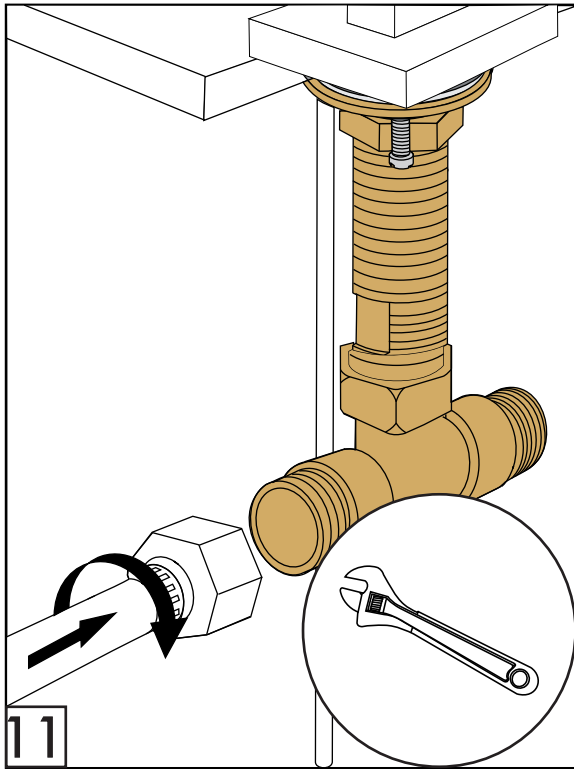
Installation

Spout installation.

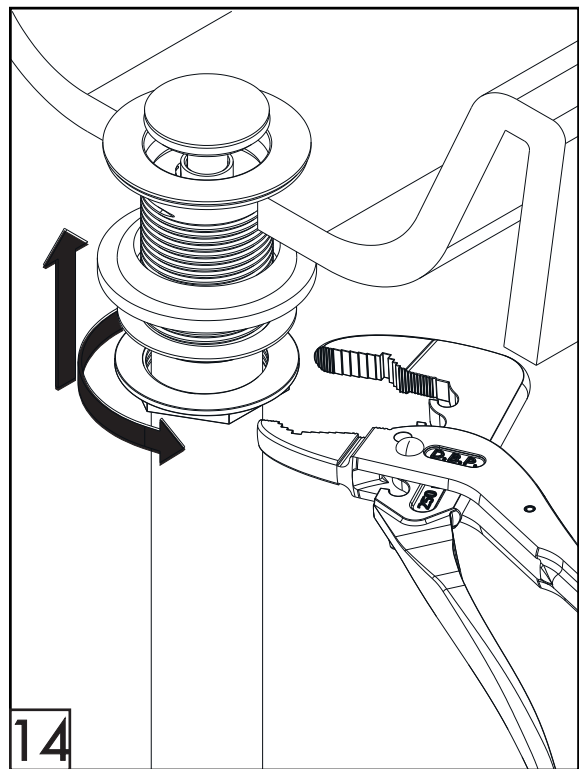
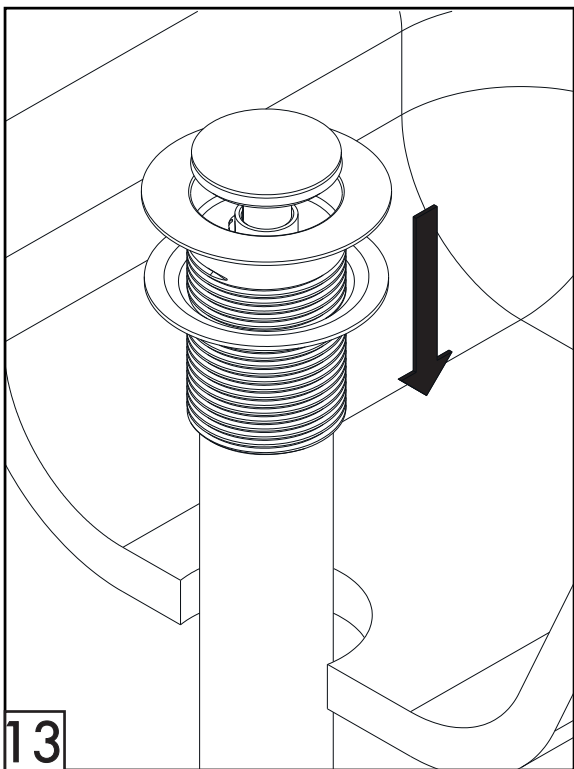


Installation

Spout installation.



Drain installation.



Franz Viegener, striving to produce the very best, high quality product offers consumers a lifetime limited warranty on our Franz Viegener branded products. This warranty is limited to products manufactured by us and branded as Franz Viegener that were purchased from a Franz Viegener Authorized Dealer by a consumer in North America after August 1, 2021, and installed according to the installation instructions, subject to the below terms.

Warranty

Franz Viegener warrants to the original consumer purchaser the products to be free from defects in material and workmanship for as long as the original consumer purchaser owns both the product and the home in which the product was originally installed, except that powder coated paint finishes are limited to three (3) years from the date of [purchase]. For commercial purchasers the warranty period applicable to all covered products is three (3) years from the date of purchase. Any applicable implied warranties that cannot be disclaimed are limited to the same duration as the express warranty herein. This warranty is non-transferable.

Franz Viegener's Response

Franz Viegener, at its option, will replace any product or part of any product that proves to be defective in material and/or workmanship, under normal installations, use, service, and maintenance. If Franz Viegener is unable to provide a replacement product or part and repair is not practical or cannot be made in a timely fashion, Franz Viegener may elect to refund the purchase price in exchange for the return of the defective product. REPAIR OR REPLACEMENT (OR, IN LIMITED CIRCUMSTANCES, REFUND OF THE PURCHASE PRICE) AS PROVIDED UNDER THIS LIMITED WARRANTY IS THE EXCLUSIVE REMEDY OF THE PURCHASER.

What is Not Covered by the Warranty

- All finishes on drain assemblies.
- Any wood, leather, and other non-metallic components.
- Unlacquered brass and other living finishes.
- Unless prohibited by law, Franz Viegener products purchased from unauthorized sources. The complexity and control of the open markets with regards to resellers, e-commerce and online trading of secondhand goods force Franz Viegener to only offer this warranty for products purchased from *Franz Viegener Authorized Dealers* as listed on the Franz Viegener website, www.franzviegener.com.
- Labor and other expenses for disconnection, deinstallation, or return of the product for warranty service, as well as packaging and shipping, or for installation or reinstallation of the product.
- Accessories, connected products and materials, or related products not manufactured by Franz Viegener.

Franz Viegener shall not be liable for any damage to the product resulting from reasonable wear and tear, outdoor use, misuse including use of the product for unintentional applications, freezing, excessive water pressure, pipe corrosion and extreme hard water in the home in which its installed, abuse, neglect, improper installation or installations inconsistent with Franz Viegener's instructions, maintenance or repair, including the use of abrasive or caustic cleaning agents, ammonia and no-rinse cleaning products.

Necessary maintenance or repairs on Franz Viegener products can be performed by any company. However, damage caused to products by you or any non-authorized third party may void this warranty.

This is Franz Viegener's exclusive warranty. TO THE EXTENT ALLOWED BY LAW, FRANZ VIEGENER PROVIDES THIS WARRANTY IN LIEU OF ALL OTHER WARRANTIES, EXPRESSED OR IMPLIED. FRANZ VIEGENER DISCLAIMS ALL LIABILITY FOR SPECIAL, INCIDENTAL, OR CONSEQUENTIAL DAMAGES. Some states/provinces do not allow limitations of how long an implied warranty lasts or the exclusion or limitation of such damages, so these limitations and exclusions may not apply to you. This warranty gives the consumer specific legal rights. You may also have other rights that vary from state/province to state/province.

To Submit a Warranty Claim

Contact Franz Viegener at:

info@franztvegener.com

Phone 847-244-3837

www.franztvegener.com/contact

Please provide a copy of the receipt from the Authorized Dealer including the purchase date. The model number of the product or part being claimed. A description of the problem.



FRANZ VIEGENER Customer Service Department

Phone 847-244-3837 - info@franztvegener.com.

4000 Porett Drive - Gurnee, IL, 60031-USA.

Follow us on social media!



Scan the code to get more information about this line.

www.franztvegener.com