

FRANZ VIEGENER

Revere, lever & wood.

i n s t a l l a t i o n




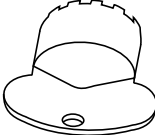
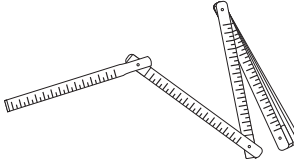
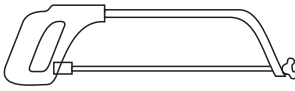
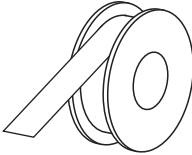
Revere - Wall-mounted lavatory set - Line 58

CONGRATULATIONS !

This product has been subjected to stringent tests for its quality, performance and finish. We guarantee years of trouble free operation. We thank you for your choice and above all for the trust you are placing in us. This trust is what motivates us to improve every day.

Before connecting the faucet to the water supply, flush the tubing thoroughly to eliminate any residue.

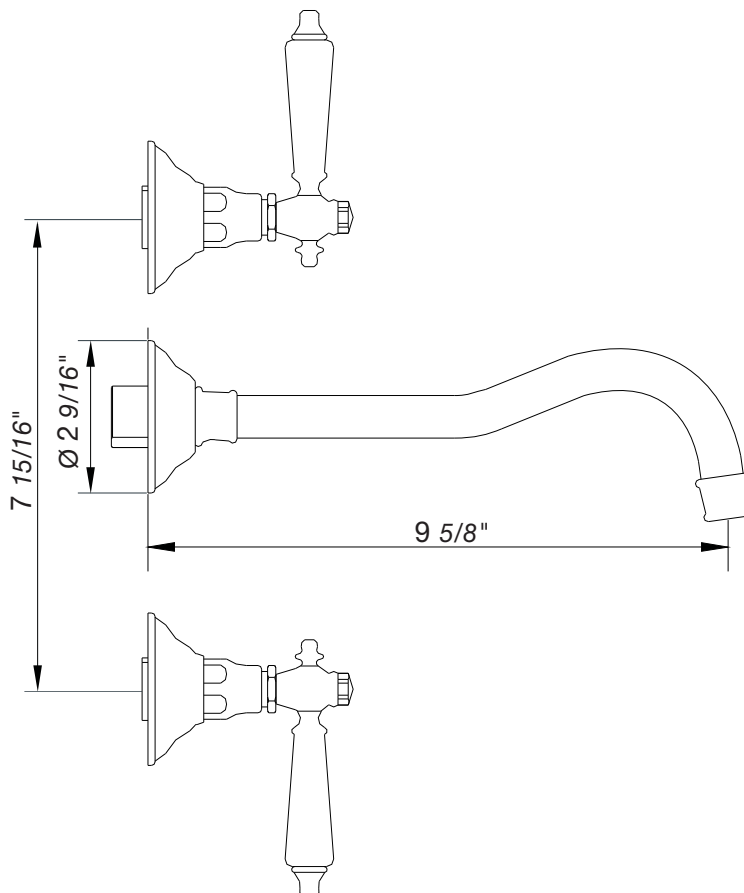
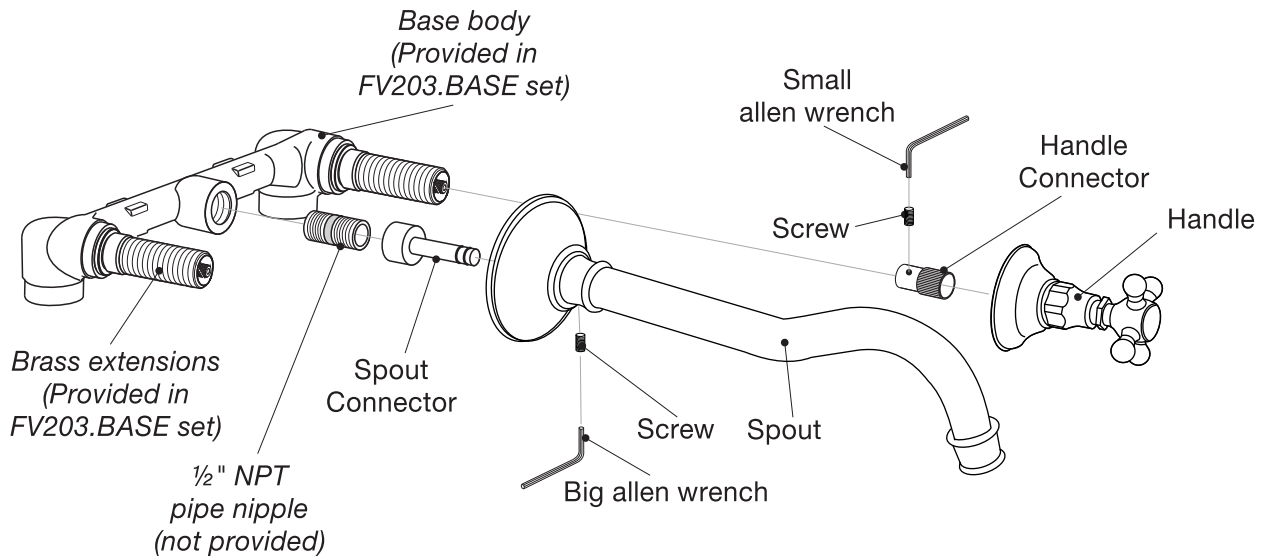
Required installation tools.

Provided	Not provided		
 <p data-bbox="177 1189 480 1267">Allen wrench (two different sizes)</p>  <p data-bbox="288 1458 360 1503">Aerator tool</p>	 <p data-bbox="603 1312 695 1346">Ruler</p>	 <p data-bbox="887 1312 1046 1346">Hacksaw</p>	 <p data-bbox="1174 1312 1366 1346">Teflon tape</p>

Revere - Wall-mounted lavatory set - Line 58

FV203/58.0 -58L-58W

Wall-mounted lavatory set.



Installation Instructions

1- Make sure to place the valve with supply inlets pointed downward. The brass extension is already threaded onto the FV203.BASE body. It can be removed and trimmed using a saw along the provided groove, if necessary.

Handles installation:

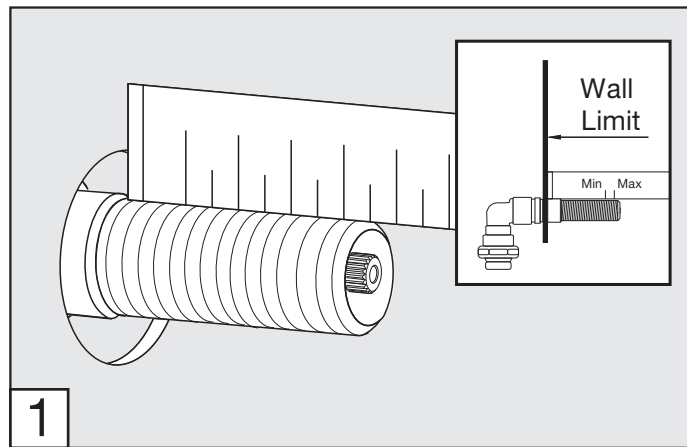
2 - Once the valve's placed, use a ruler to check and measure the maximum and minimum distances.

MIN : 5/16" (7,9 mm)

MAX : 7/16" (11,1 mm)

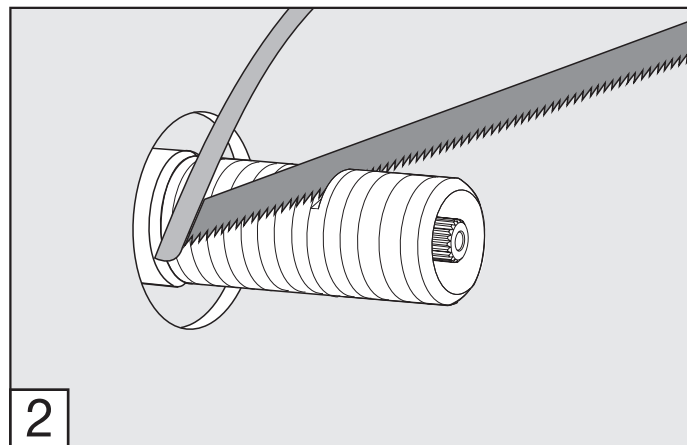
If the min/max is correct continue directly to point 4.

*Maximum and minimum distances are in millimeters, measurements in inches are for reference only.

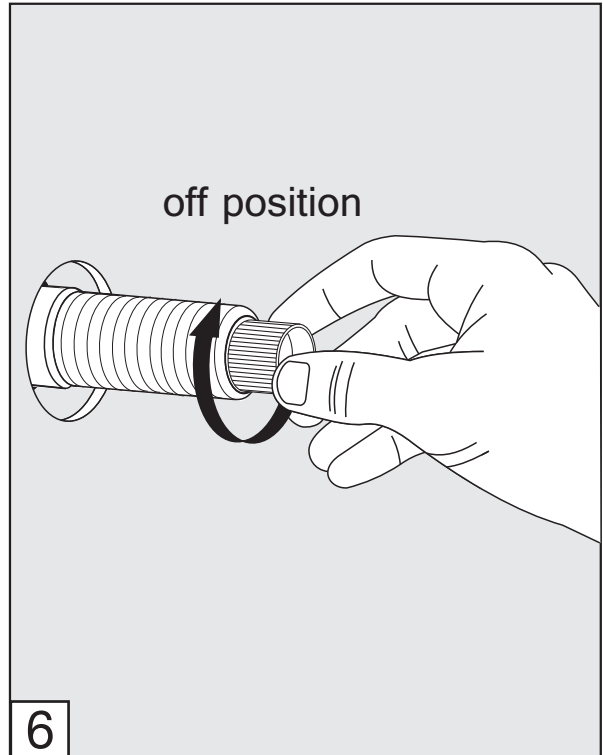
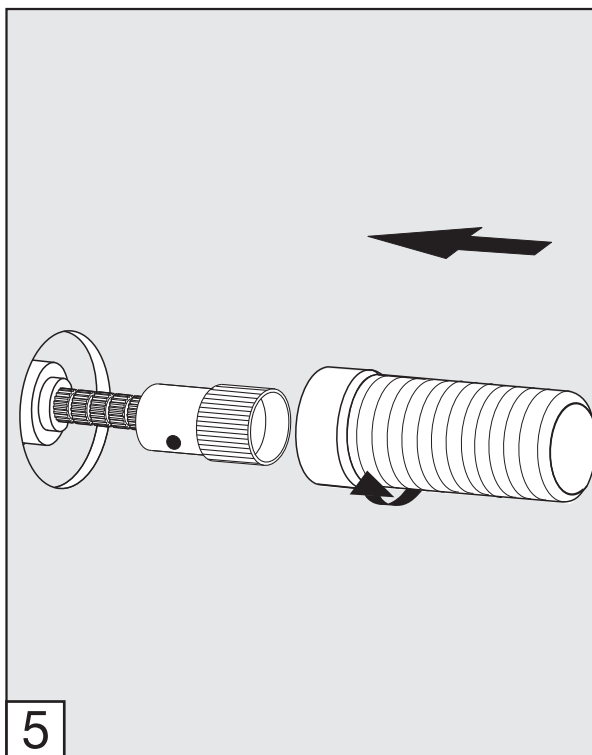
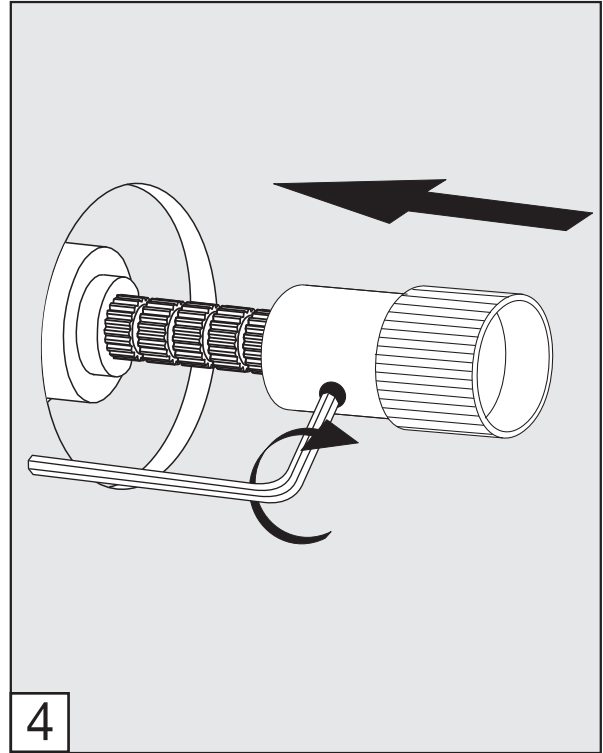
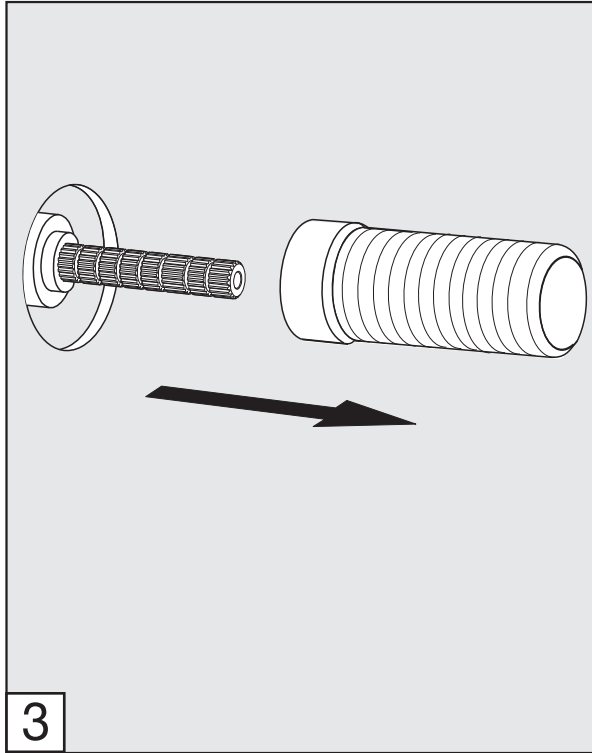


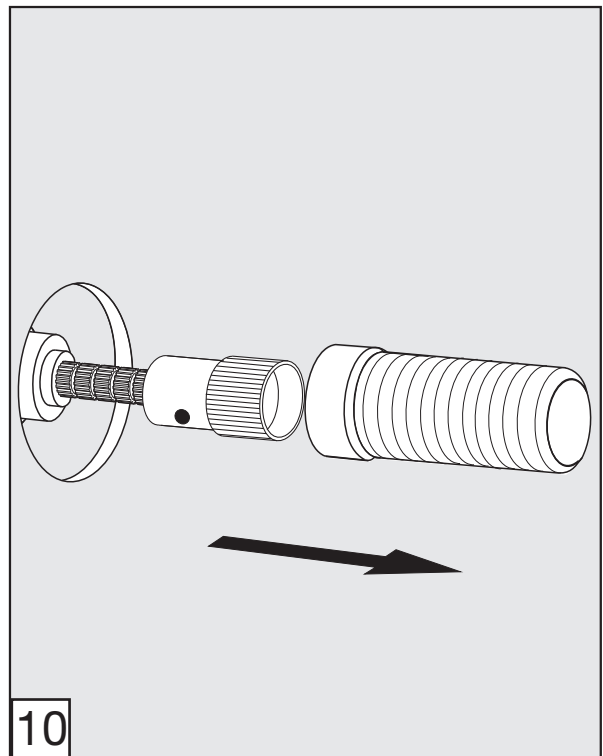
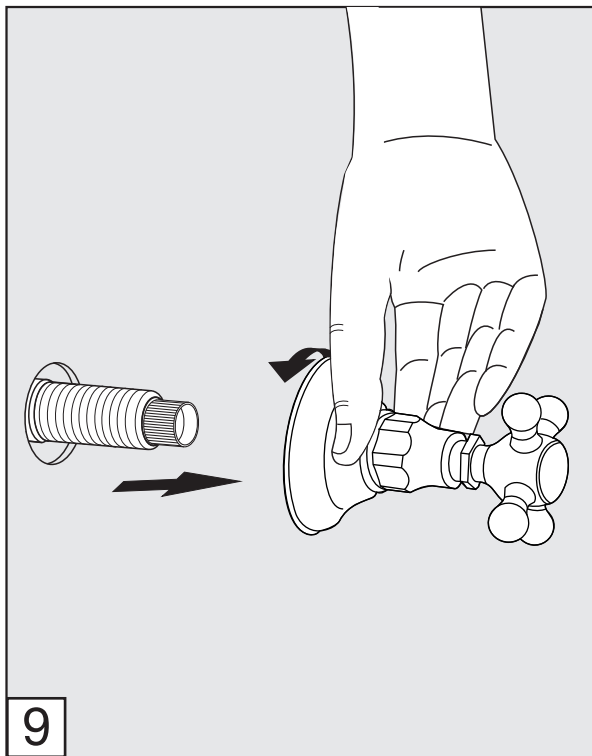
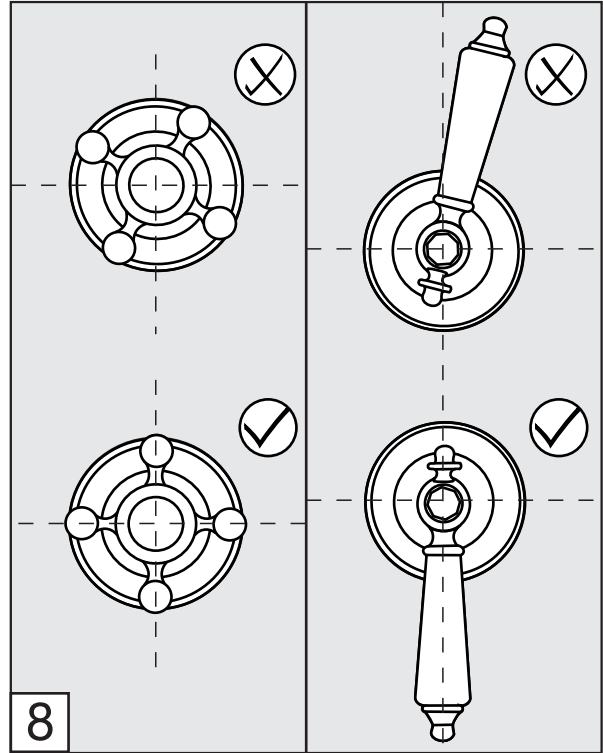
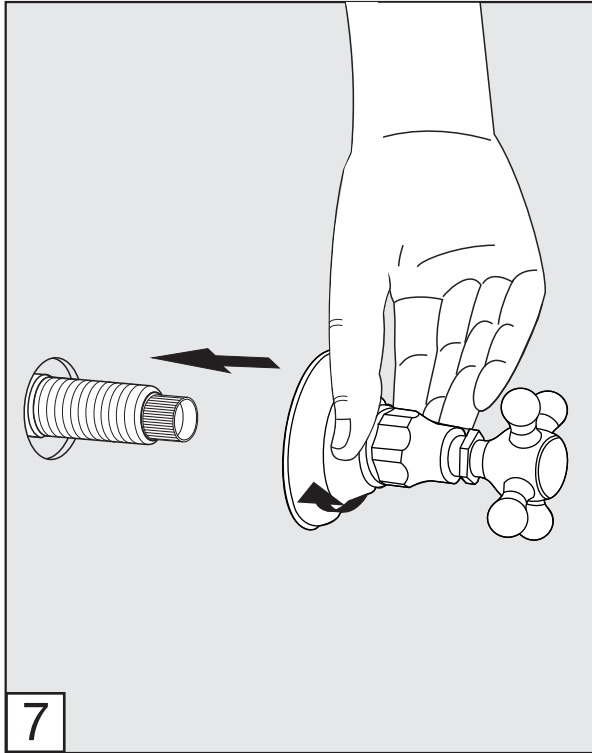
3 - **If the measured distance exceeds the "max" value** it's necessary to trim brass extension and valve stem (together).

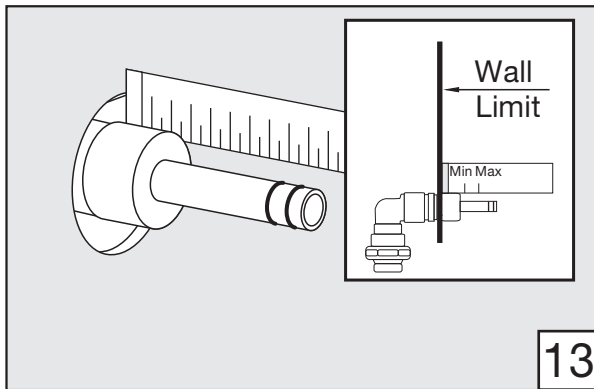
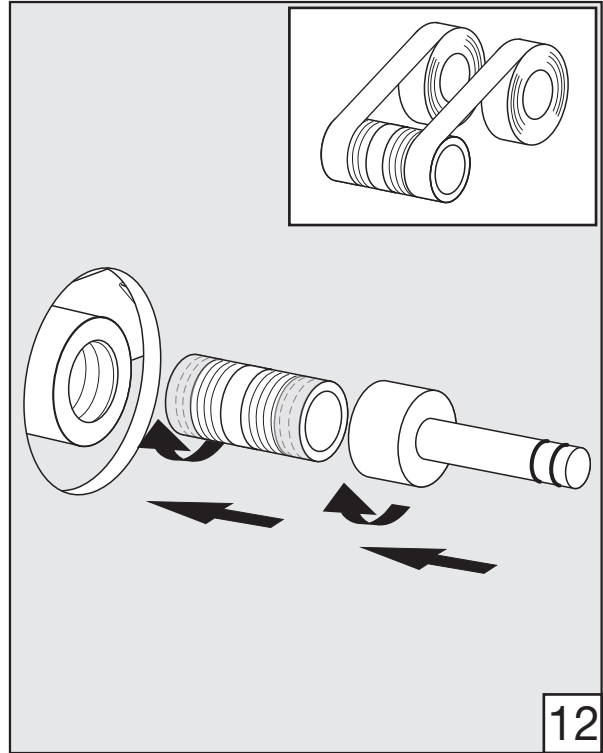
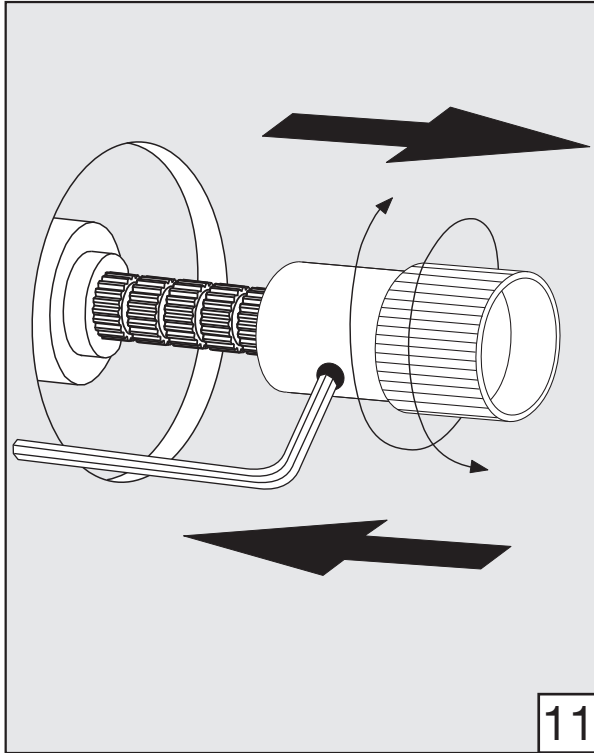
Both parts are trimmable with hacksaw.



Revere - Wall-mounted lavatory set - Line 58





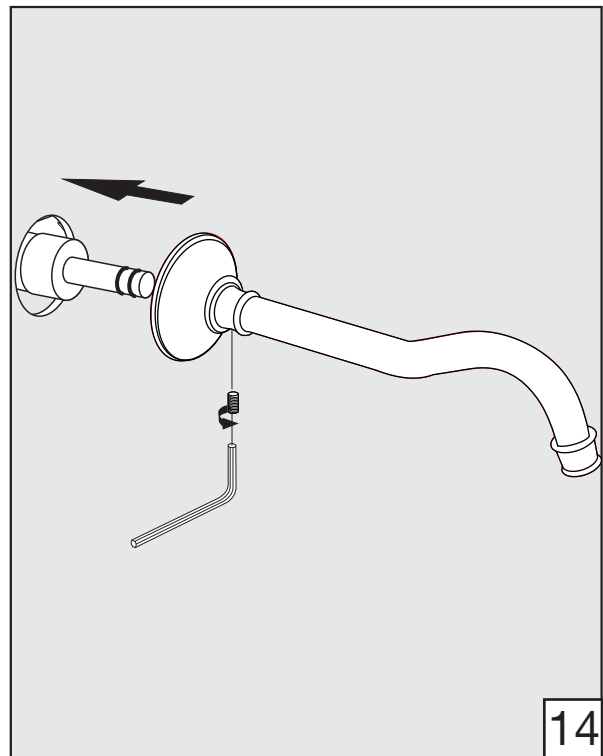


MIN: 1 1/16" (27 mm)

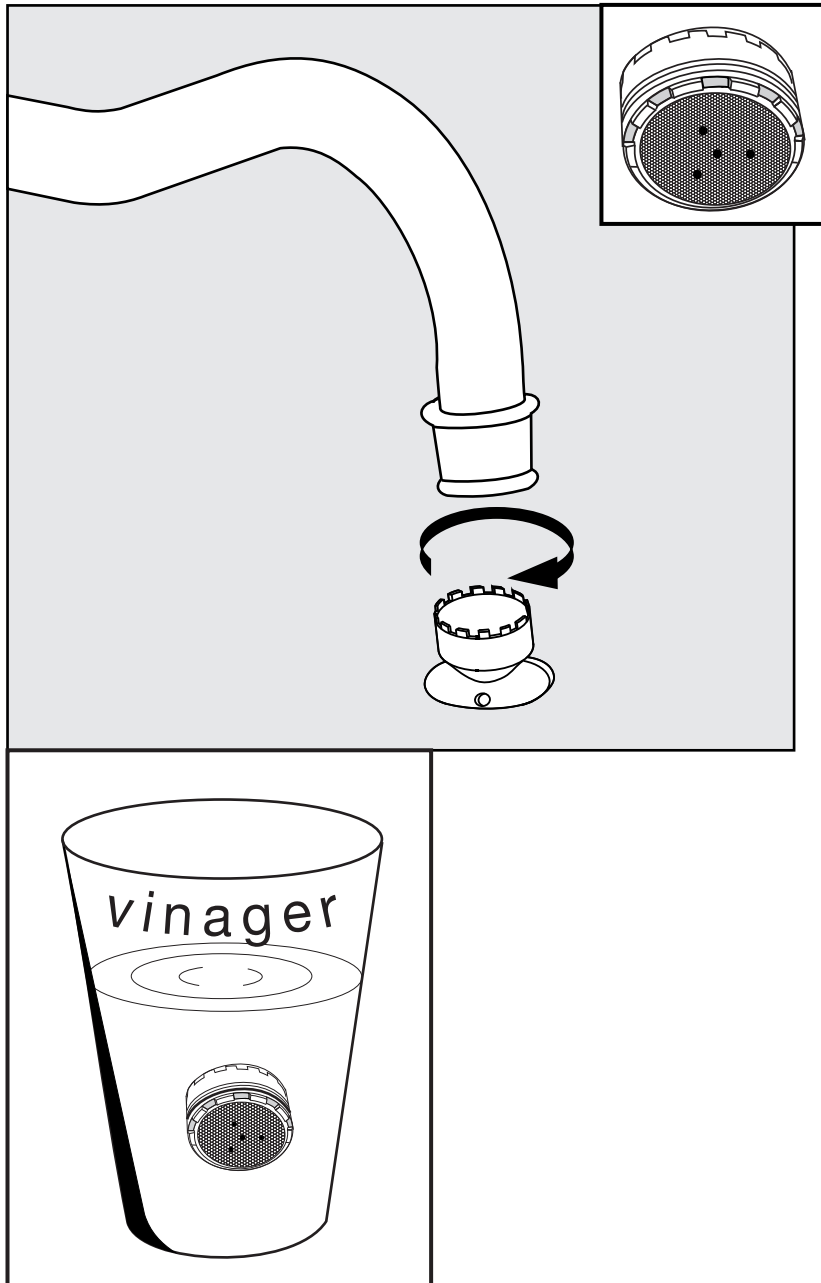
MAX: 1 5/16" (33 mm)

According to the measured distance could be necessary to choose other size of the "NPT pipe nipple" (not provided).

*Maximum and minimum distances are in millimeters, measurements in inches are for reference only.



Nozzle usage instructions:



FRANZ VIEGENER

a FV S.A. Company

4000 Porett Drive • Gurnee Illinois 60031

Phone 847-244-1234 / Fax 847-244-1259

FRANZ VIEGENER reserve the right to make revisions without notice in the design of faucets and bathroom accessories or in packaging.
FOLFV203/580 / Edition No 1 _ August, 2011.