

FRANZ VIEGENER

Skyline

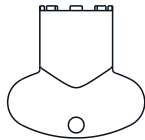
i n s t a l l a t i o n



FV103L/J9.17.0

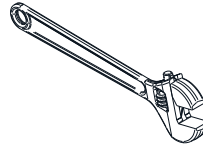
Required installation tools / Herramientas necesarias para la instalación

Provided / Provistas

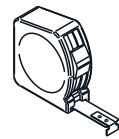


Aerator Tool
Llave Aireador

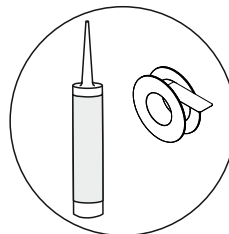
Not Provided / No Provistas



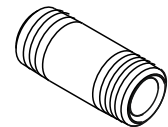
Adjustable wrench
Llave ajustable



Measure Tape
Cinta métrica

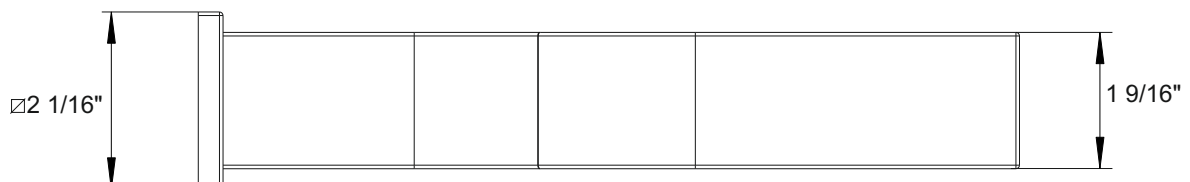
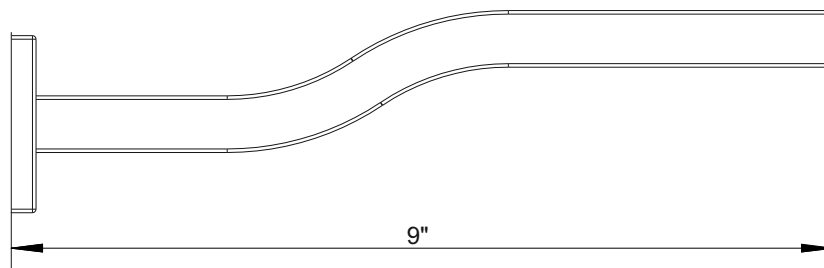


Sealing product/
Producto para sellar



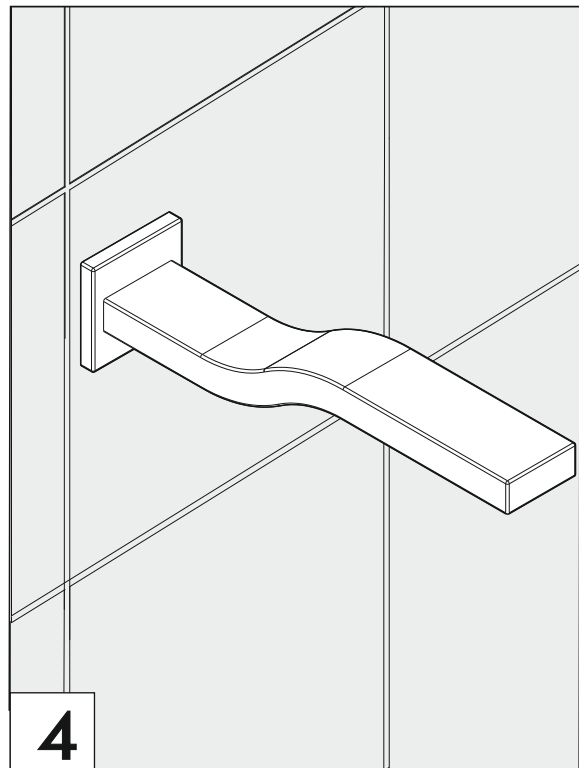
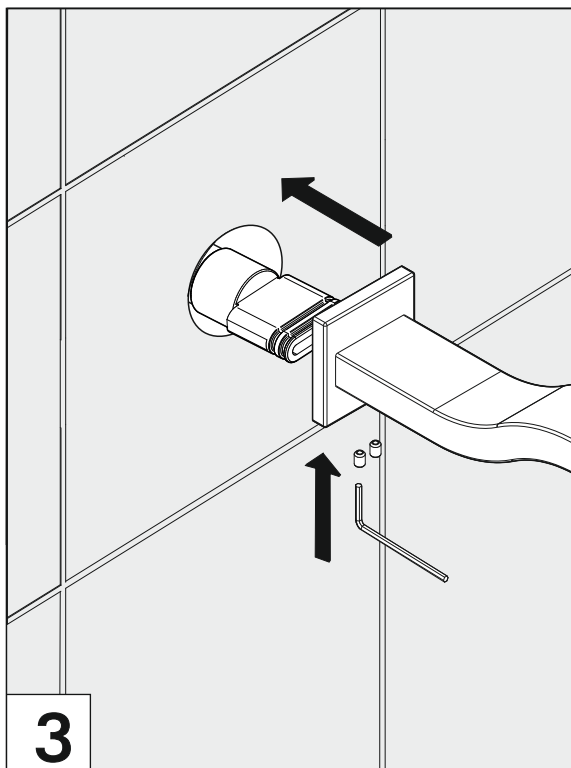
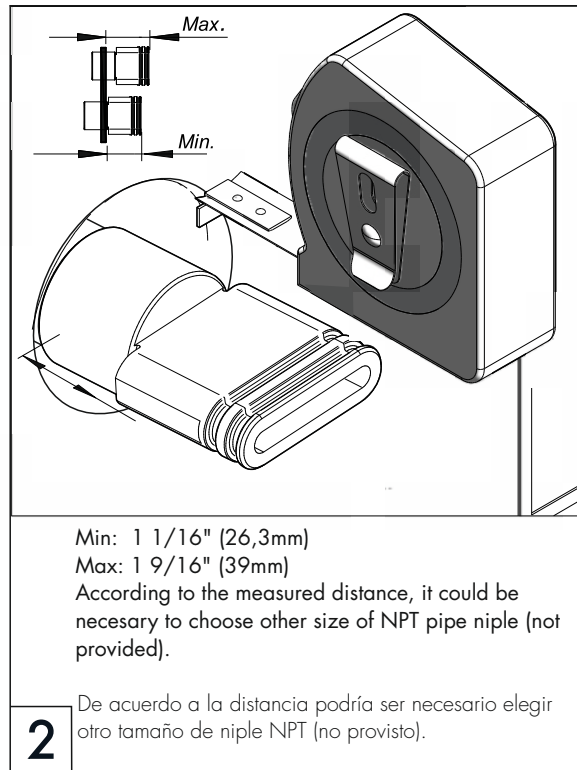
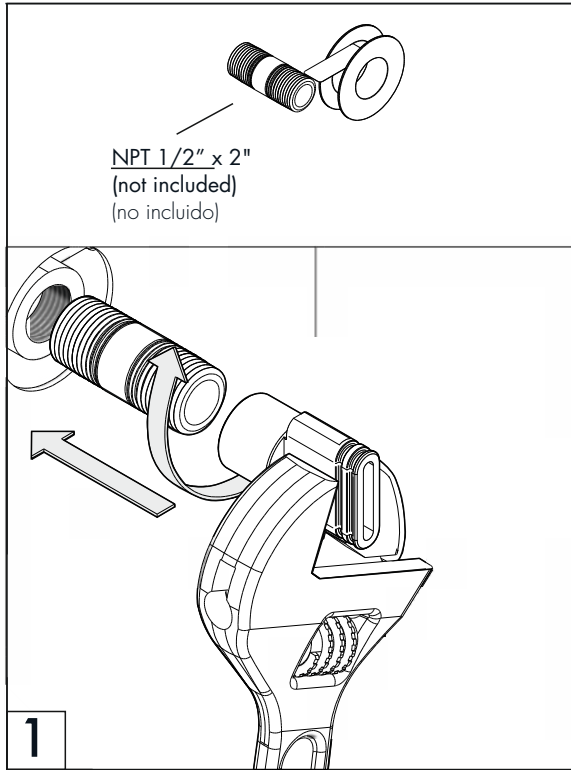
NPT pipe nipple 1/2"
Niple tubo NPT 1/2"

Measures / Medidas

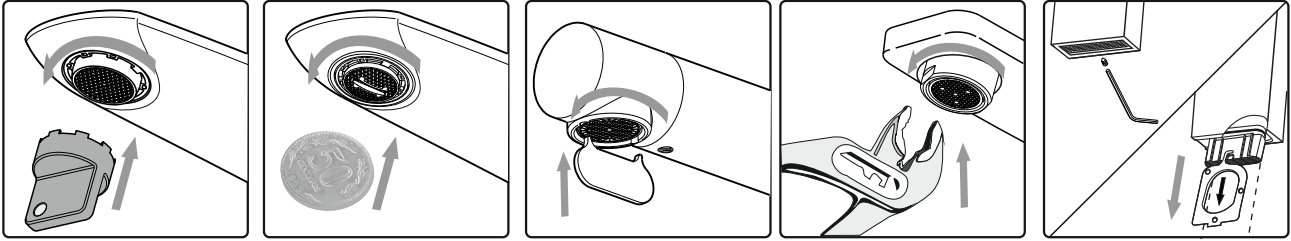


Installation / Instalación

Spout installation Instalación del pico



Aerator cleaning / Limpieza de aireador



Place the corresponding tool according to the type of aerator you have and remove it. Wash it under a stream of water. If there is any sediment, place it in a glass of vinegar during the night. Put it back the next day.

Coloque la herramienta correspondiente según el tipo de aireador y remuevalo del pico. Lávelo bajo un chorro de agua. Si esta tapado colóquelo en un vaso de vinagre durante la noche. Al día siguiente vuelva a armarlo.



Attention! Do not use sharp objects to unblock the aerator
¡Atención! NO intente destapar el aireador utilizando
objetos punzantes que puedan dañarlo

WARRANTY: For more information please visit <https://franzviegner.com/warranty/>



FRANZ VIEGENER Customer Service Department (800) 446-9700

Phone 847-244-3837 / Fax 847-249-4049 - info@franzviegner.com

4000 Porett Drive - Gurnee, IL, 60031-USA.

Follow us on social media!



Scan the code
to get more
information
about this line.

www.franzviegner.com

FRANZ VIEGENER reserve the right to make revisions without notice in the design of faucets and bathroom accessories or in packaging.
FO-FV103L/J9.17.0 / July, 2023.