

FRANZ VIEGENER

Revere

i n s t a l l a t i o n



CONGRATULATIONS !

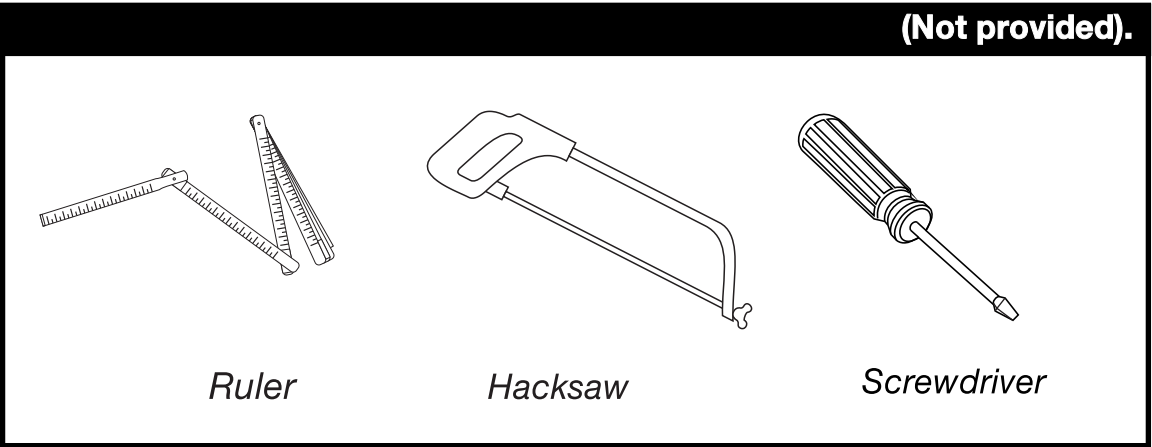
This product has been subjected to stringent tests for its quality, performance and finish. We guarantee years of trouble free operation.

We thank you for your choice and above all for the trust you are placing in us. This trust is what motivates us to improve every day.

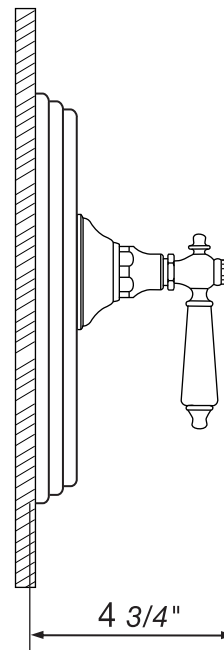
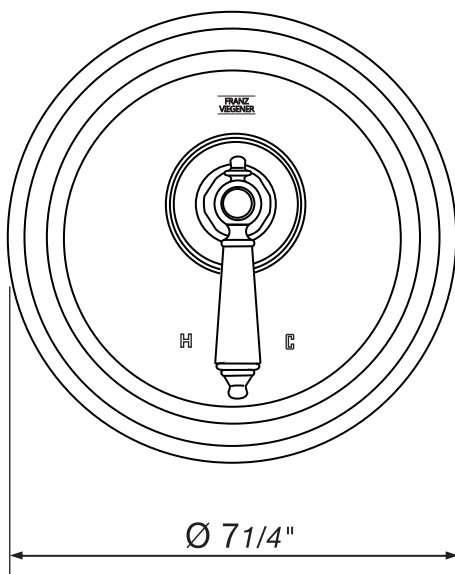
Before connecting the faucet to the water supply, flush the tubing thoroughly to eliminate any residue.

Required installation tools.

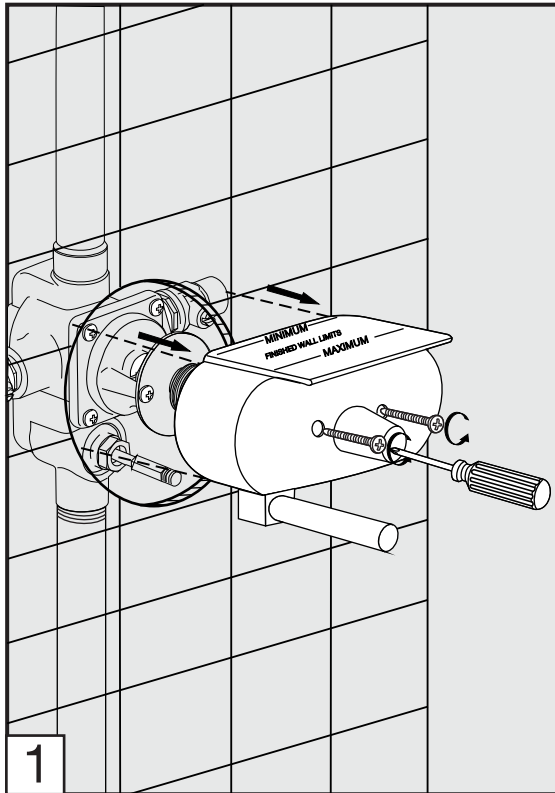
(Not provided).



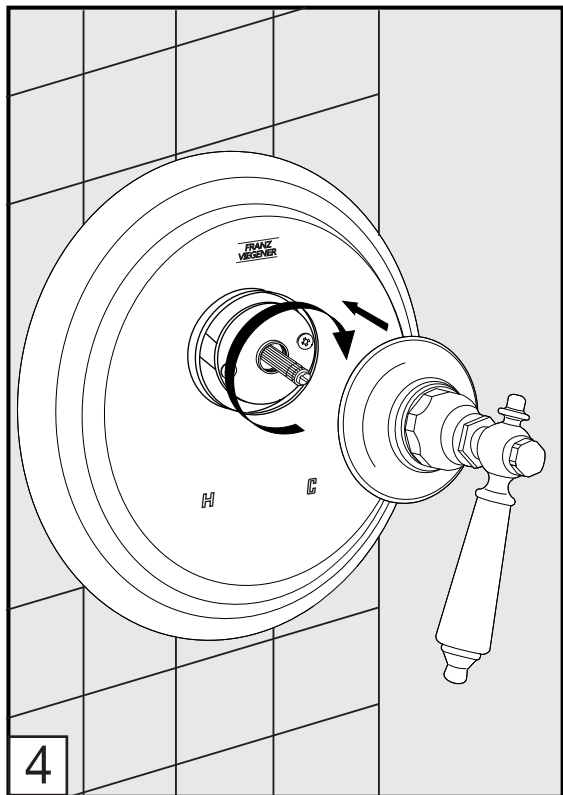
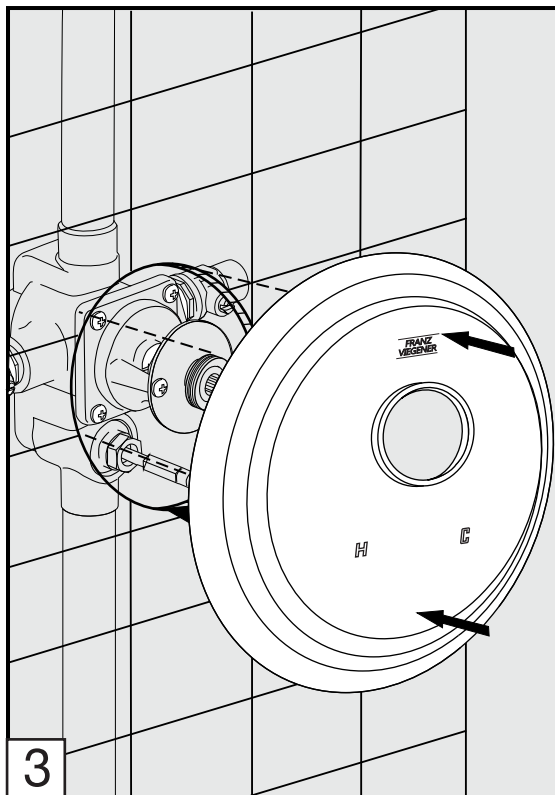
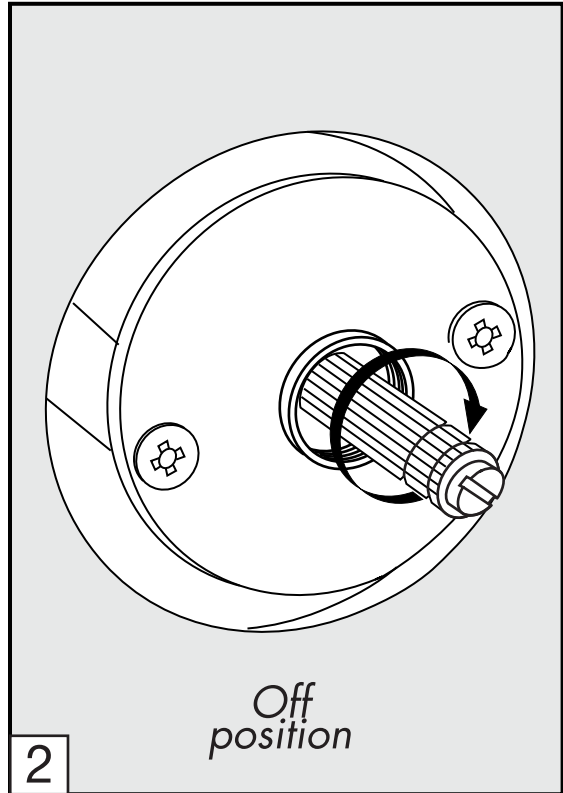
FV115/58L.0



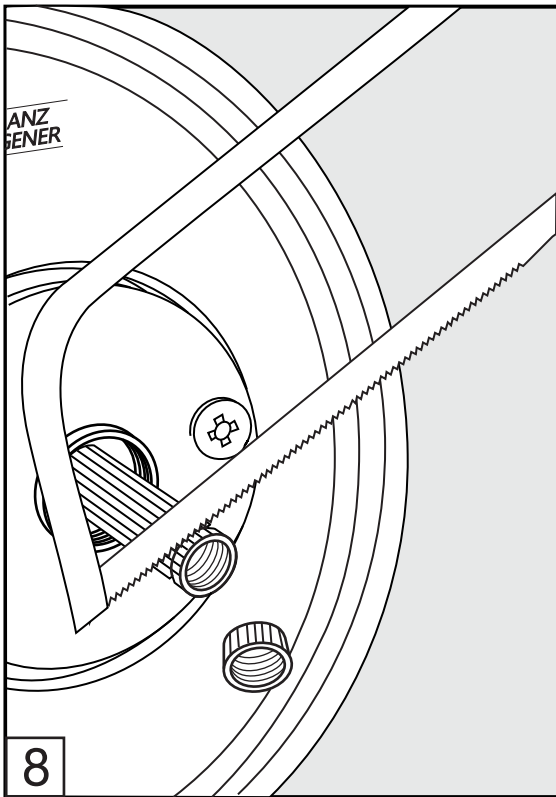
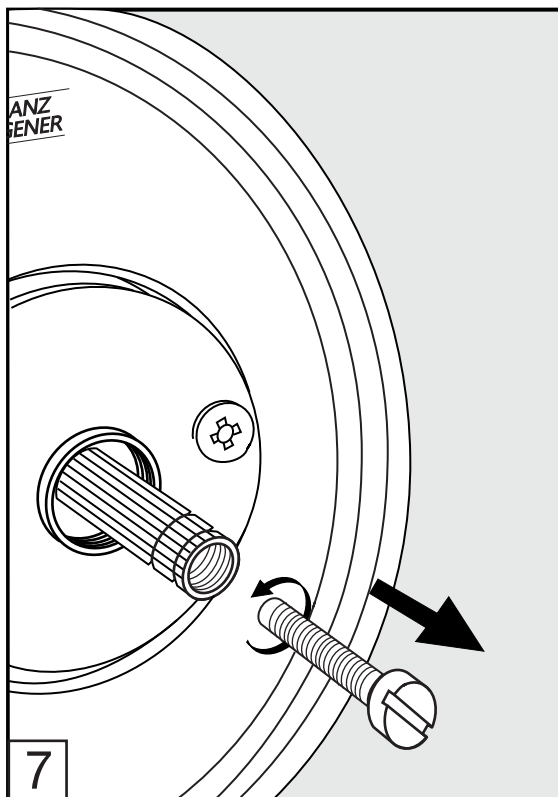
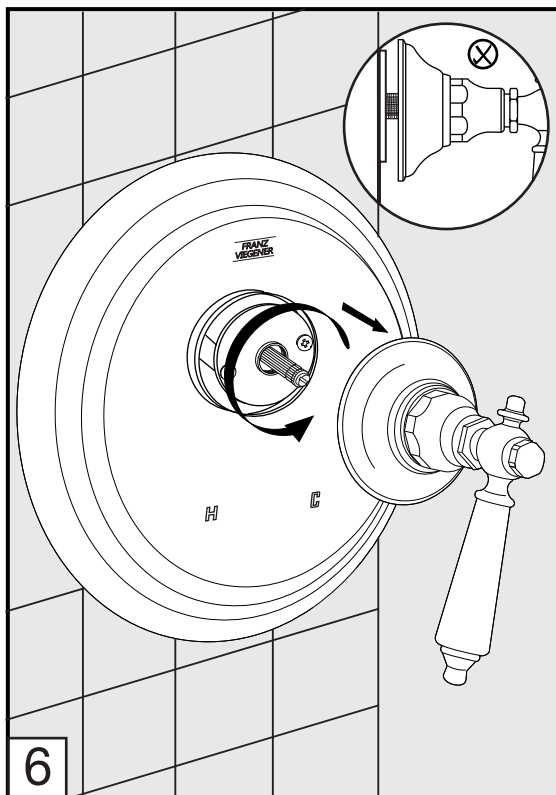
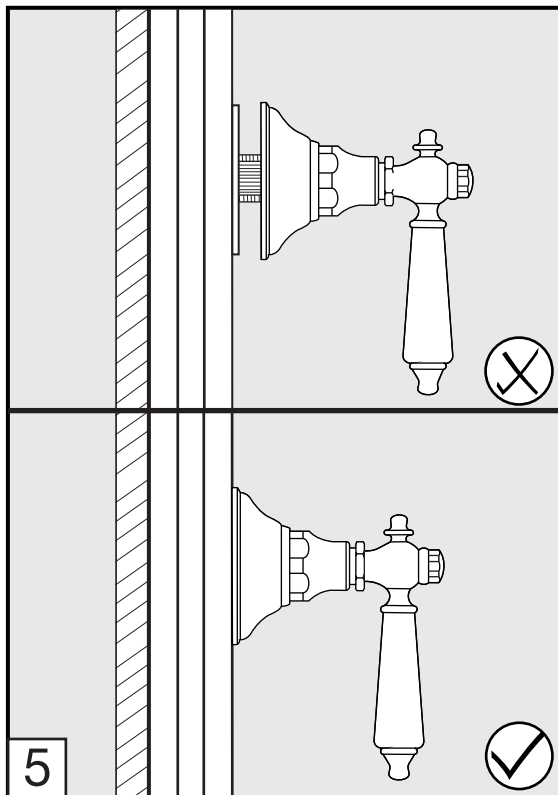
Remove rough-in cover

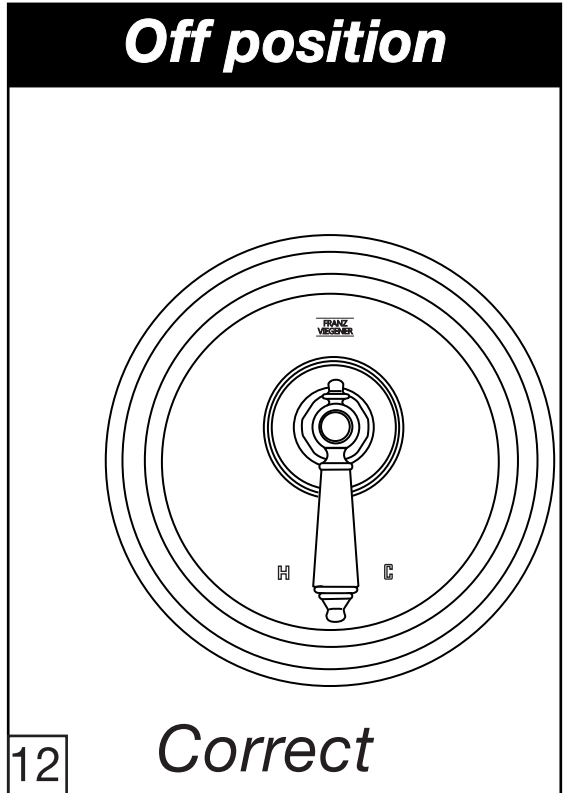
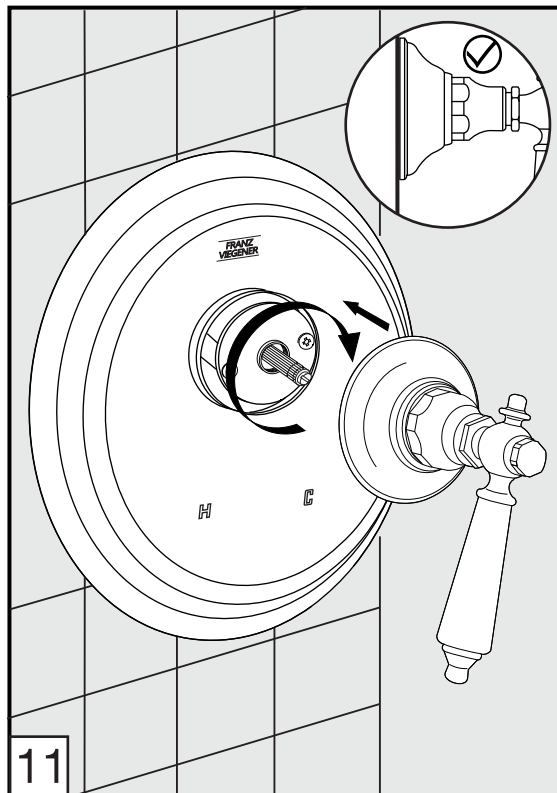
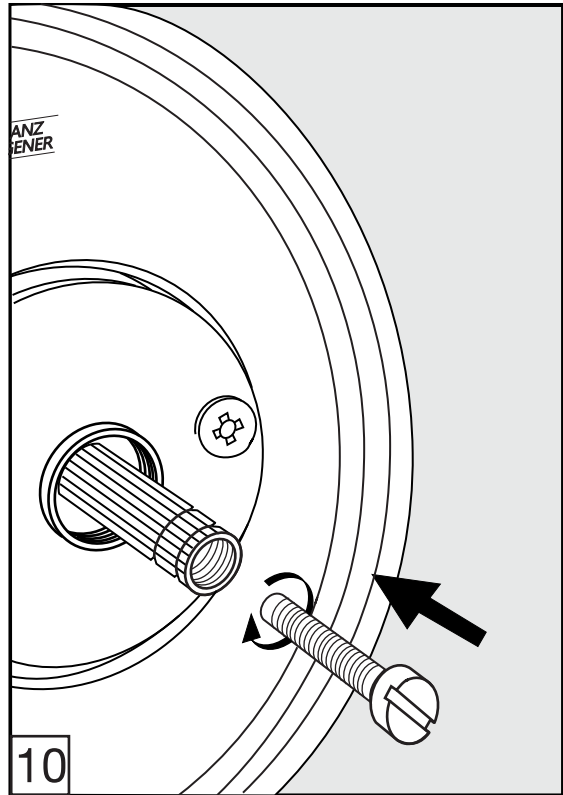
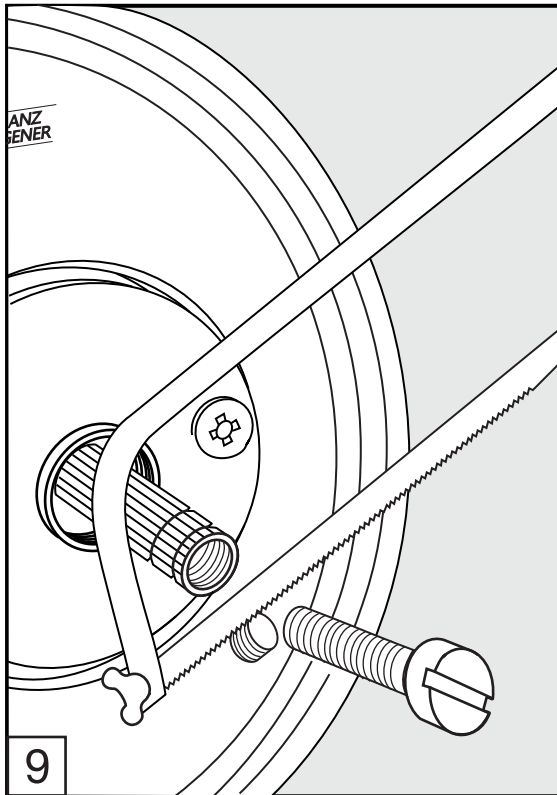


Install trim plate

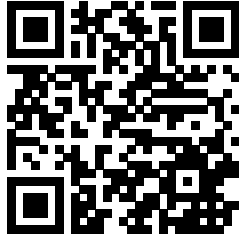


ADJUSTMENT





WARRANTY: For more information please visit <https://franzviegener.com/warranty/>



FRANZ VIEGENER Customer Service Department

Phone 847-244-3837 - info@franzviegener.com.

4000 Porett Drive - Gurnee, IL, 60031-USA.

Follow us on social media!



Scan the code
to get more
information
about this line.

www.franzviegener.com

FRANZ VIEGENER reserve the right to make revisions without notice in the design of faucets and bathroom accessories or in packaging.

FO-FV115/58L.0 / July 2023