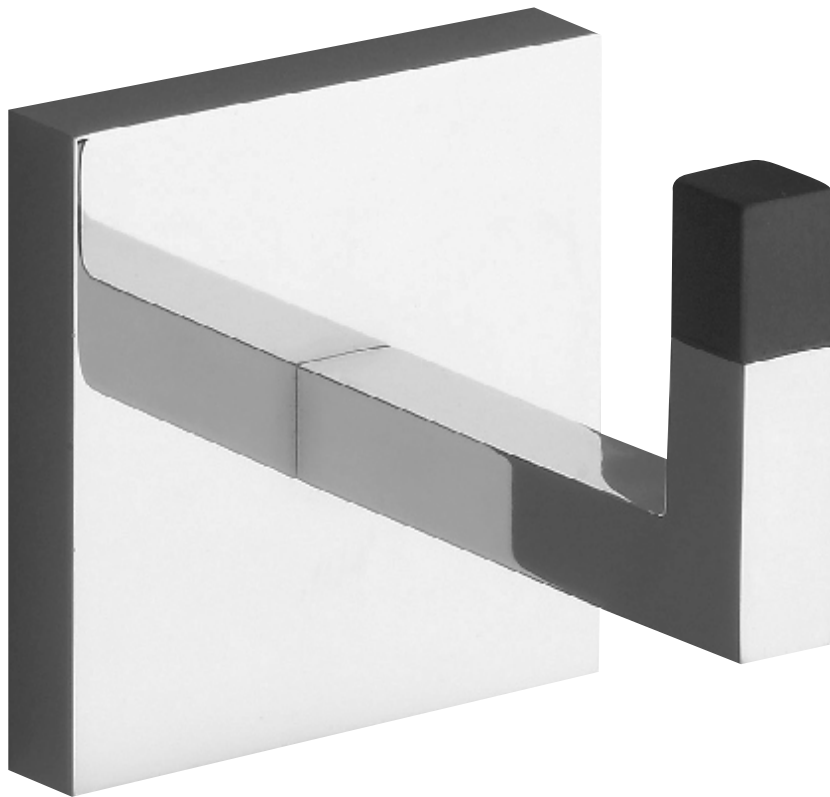


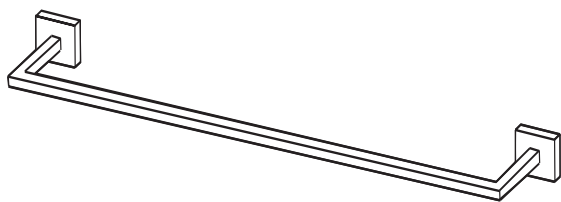
FRANZ VIEGENER

Accessories Dominic

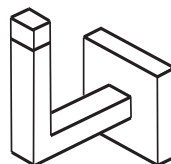
i n s t a l l a t i o n



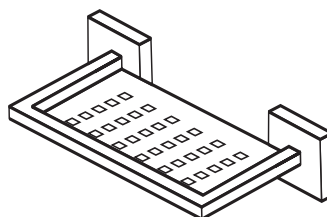
Accessories Dominic Line



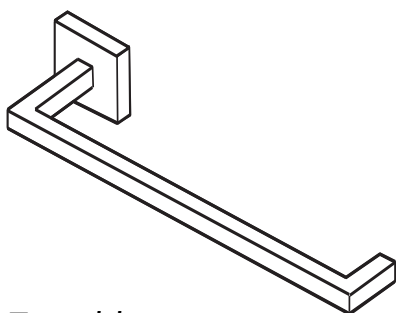
Towel bar
FV164/85 (17 11/16")
FV164.01/85 (23 5/8")
FV164.02/85 (29 1/2")



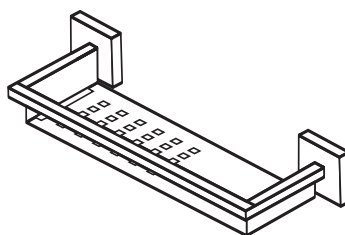
Robe hook
FV166/85



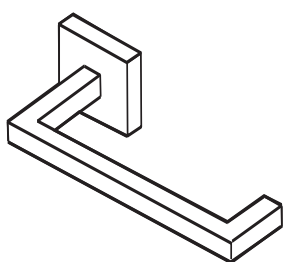
Wall mount soap
dish (metal)
FV168/85M



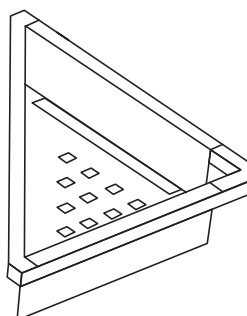
Towel bar
FV163/85



Vanity shelf/ soap dish
for shower (metal)
FV168.01/85M

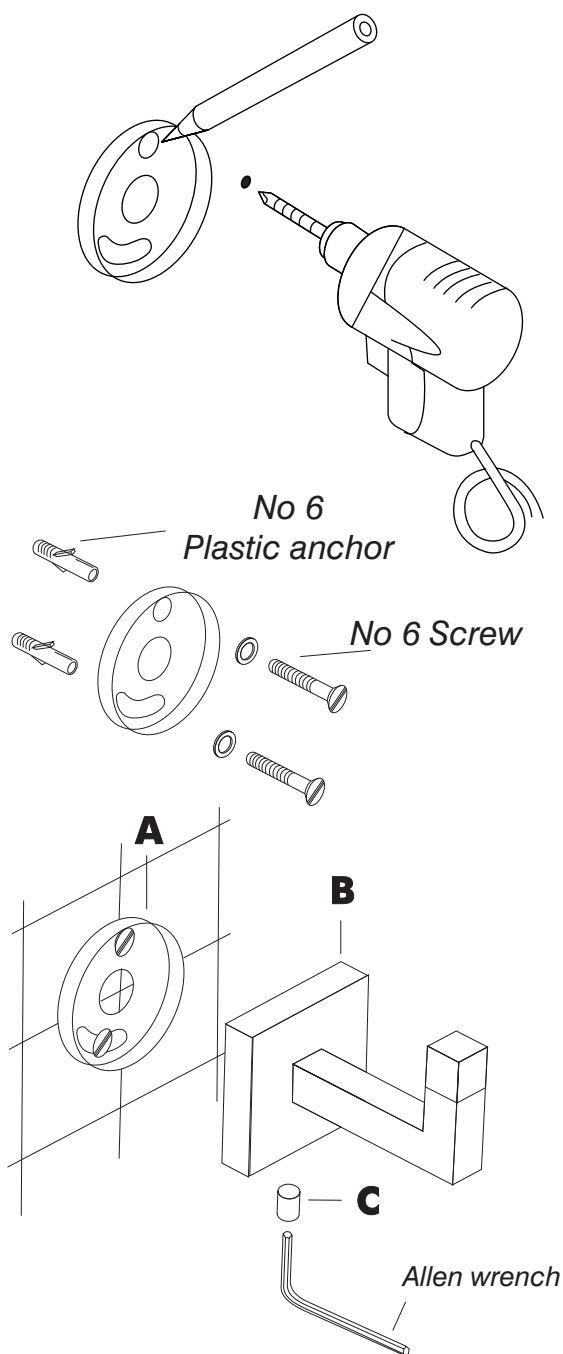


Toilet roll holder
FV167/85



Triangular corner mount
soap dish (metal).
FV168.02/85M

Installation instructions



1_ Using the support (in the position the figure shows), mark the place where you will drill the first hole to mount the accessory.

2_ Make the necessary hole for No 6 plastic anchor.

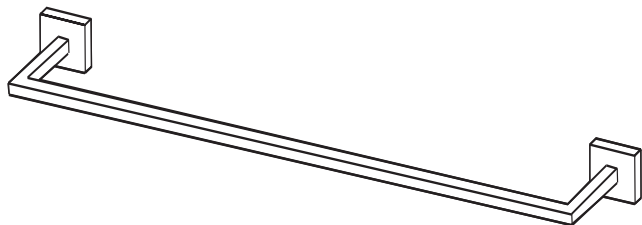
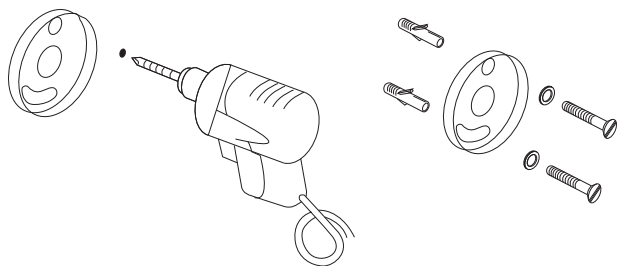
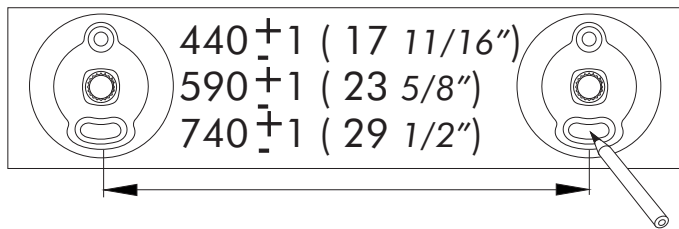
3_ Affix the support to the wall using the screws and the plastic anchors provided. Repeat the procedure (1 and 2) to complete the fixation of the support.

4_ Place the accessory (B) over the support (A), keeping all pressed to the wall.

Tighten the set-screw (C) with the Allen wrench provided.

Accessories with two supports

Assembling



For accessories such as towel bars, please bear in mind the following:

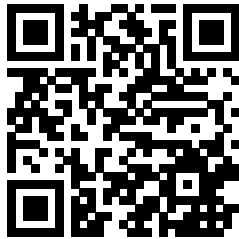
a_ Using the template attached to the towel bar, mark the places where you will drill. Take care to verify horizontals.

b_ Follow previous instructions (1, 2 and 3) for affixing the supports.

c_ Put the complete set together, without escutcheon. Tighten the supports (see picture).

d_ Put set together with the escutcheons.

WARRANTY: For more information please visit <https://franzviegener.com/warranty/>



FRANZ VIEGENER Customer Service Department

Phone 847-244-3837 - info@franzviegener.com.

4000 Porett Drive - Gurnee, IL, 60031-USA.

Follow us on social media!



Scan the code
to get more
information
about this line.

www.franzviegener.com