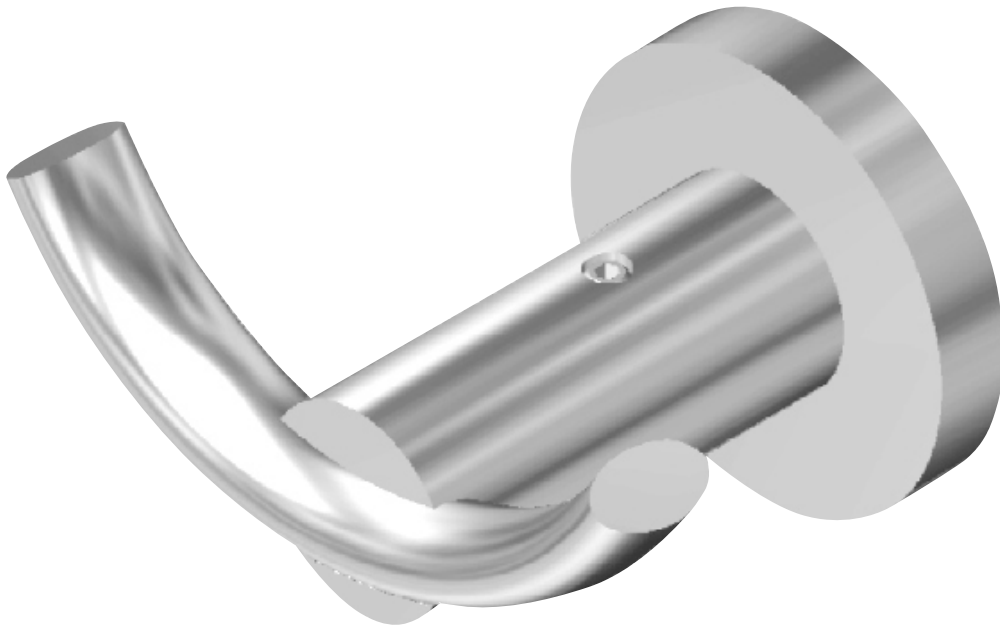


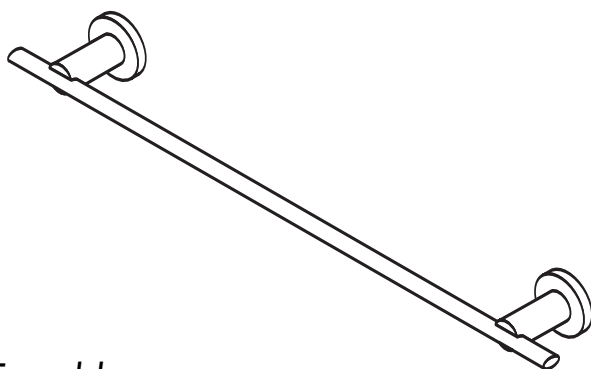
FRANZ VIEGENER

Accessories Nerea

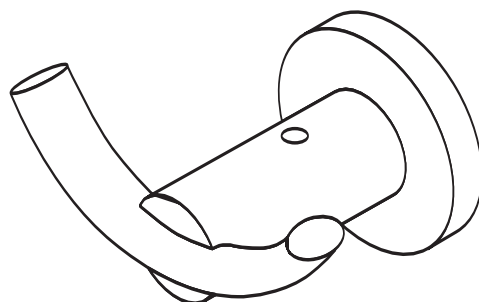
i n s t a l l a t i o n



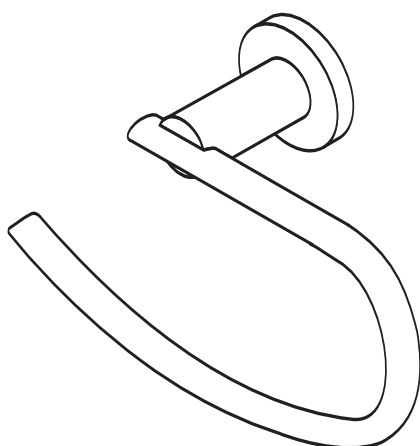
Accessories Nerea Line



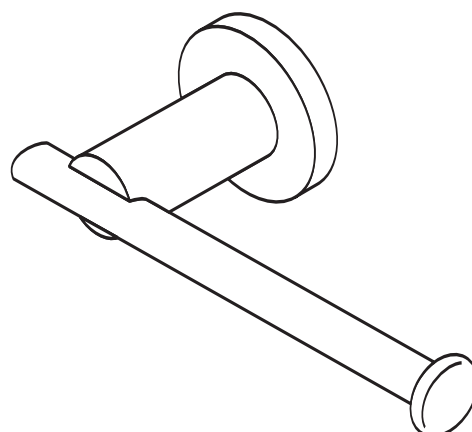
Towel bar
FV164/59 (17 11/16")
FV164.01/59 (23 5/8")
FV164.02/59 (29 1/2")



Robe hook
FV166/59

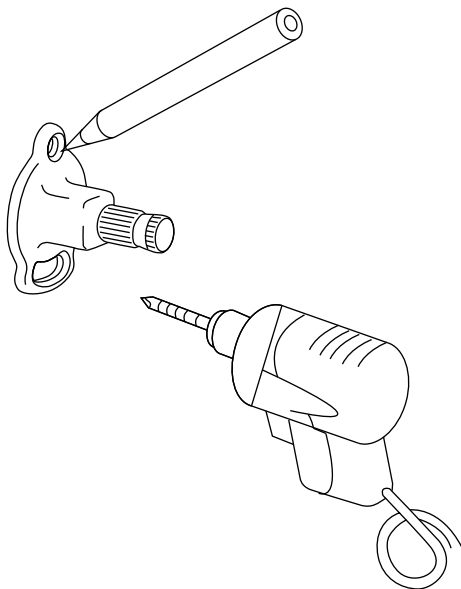


Towel ring
FV162/59



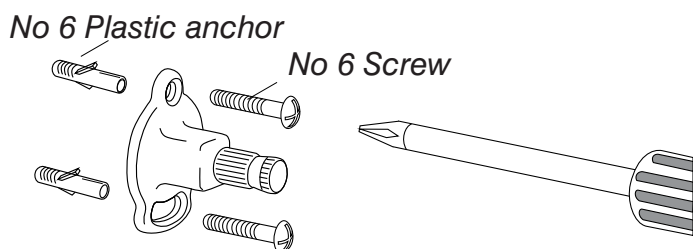
Toilet roll holder
FV167/59

Installation instructions

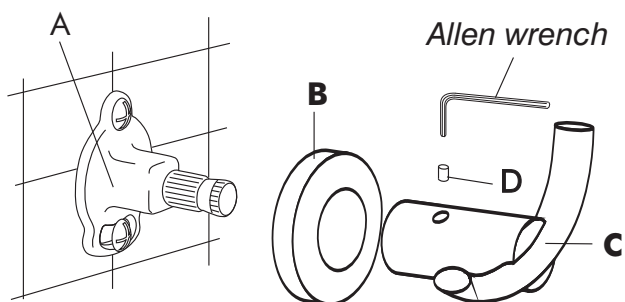


1_ Using the support (in the position the figure shows), mark the place where you will drill the first hole to mount the accessory.

2_ Make the necessary hole for No 6 plastic anchor and then put the plastic anchor.



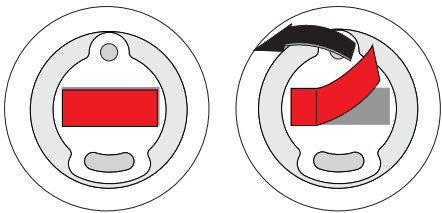
3_ Affix the support to the wall using the screws and the plastic anchors provided. Repeat the procedure (1 and 2) to complete the fixation of the support.



4_ Slide the escutcheon (B) and the main part (C) over the support (A) until it bottom against the wall. Tighten the set-screw (D) with the Allen wrench.

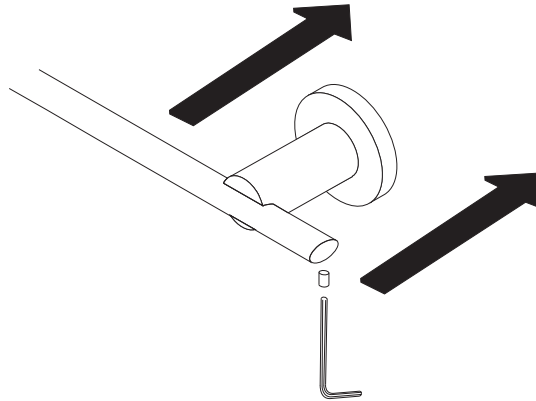
Accessories with two supports

Assembling

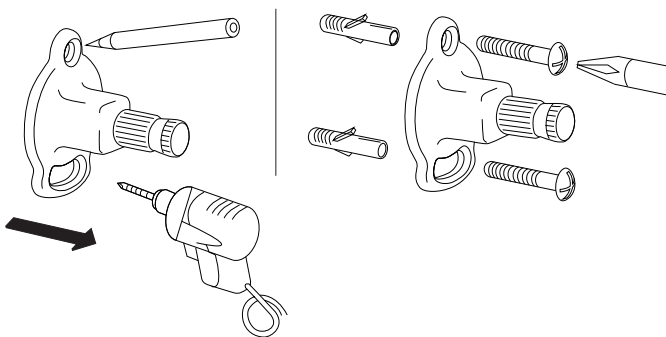


a_ Remove the tape from the back of the escutcheons.

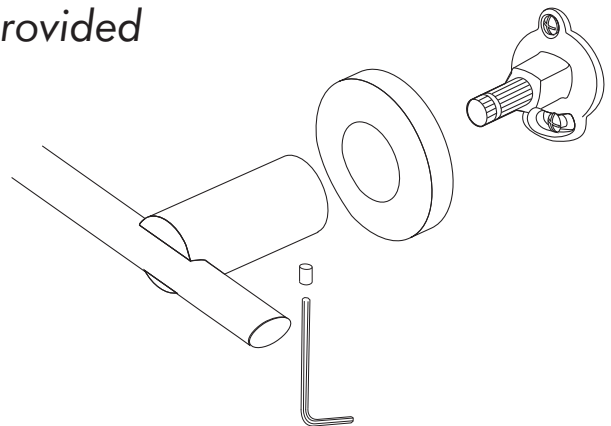
b_ Attach the accessory to the wall applying pressure and remove the screw. Remove the accessory.



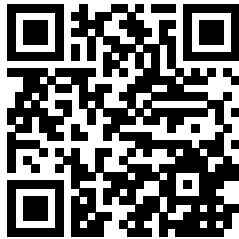
c_ Mark the places where you will drill before affixing it to the wall using the screws and plastic anchors provided



d_ Slide both escutcheon and the main part over the support until it bottom against the wall. Tighten the set-screw with the Allen wrench provided.



WARRANTY: For more information please visit <https://franzviegener.com/warranty/>



FRANZ VIEGENER Customer Service Department

Phone 847-244-3837 - info@franzviegener.com.

4000 Porett Drive - Gurnee, IL, 60031-USA.

Follow us on social media!



Scan the code
to get more
information
about this line.

www.franzviegener.com