

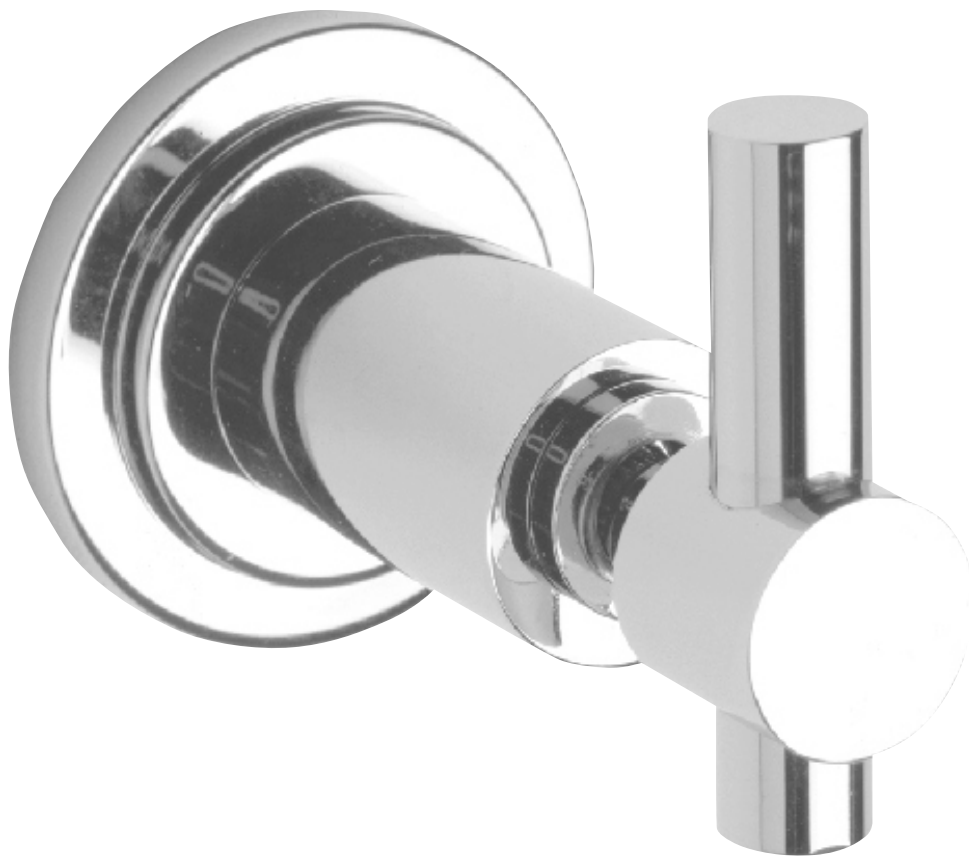
FRANZ VIEGENER

---

**Accessories Temple**

---

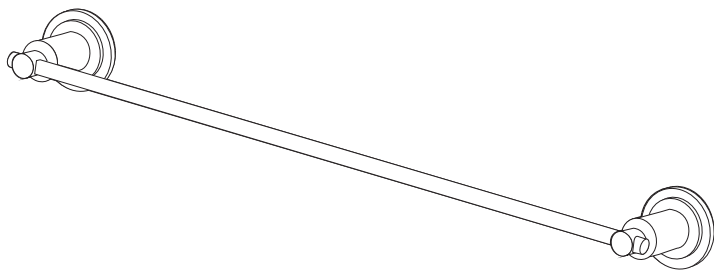
*i n s t a l l a t i o n*



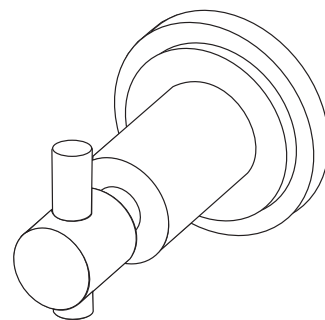
---

## Accessories Temple Line

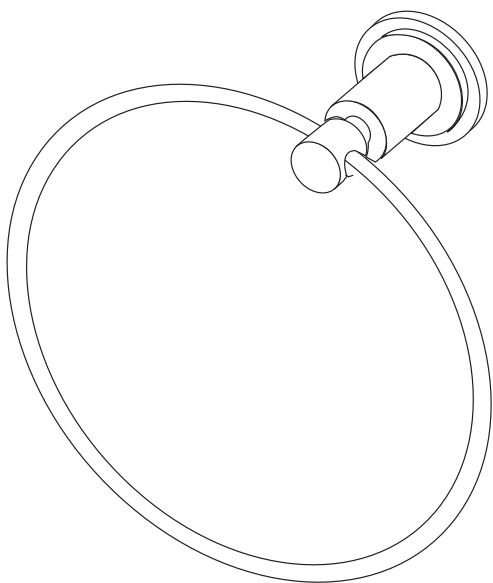
---



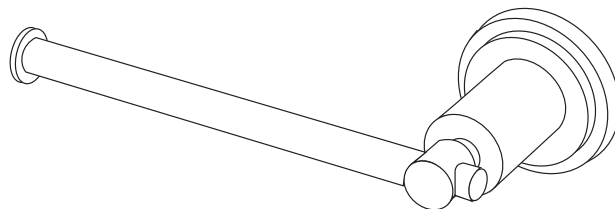
Towel bar  
FV164/87 (17 11/16")  
FV164.01/87 (23 5/8")  
FV164.02/87 (29 1/2")



Robe hook  
FV166/87



Towel ring  
FV162/87

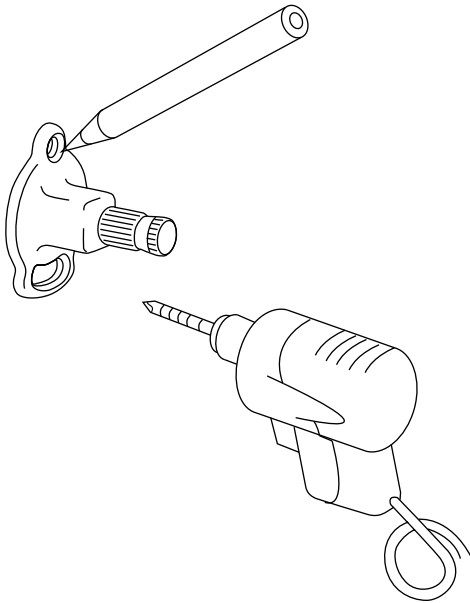


Toilet roll holder  
FV167/87

---

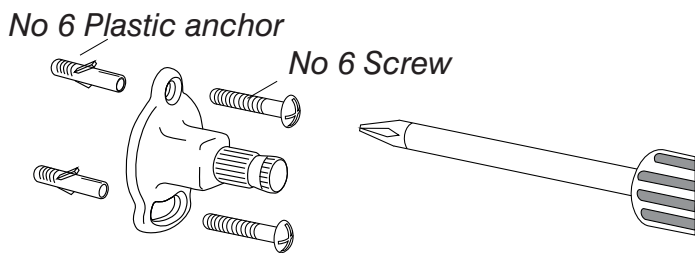
## Installation instructions

---

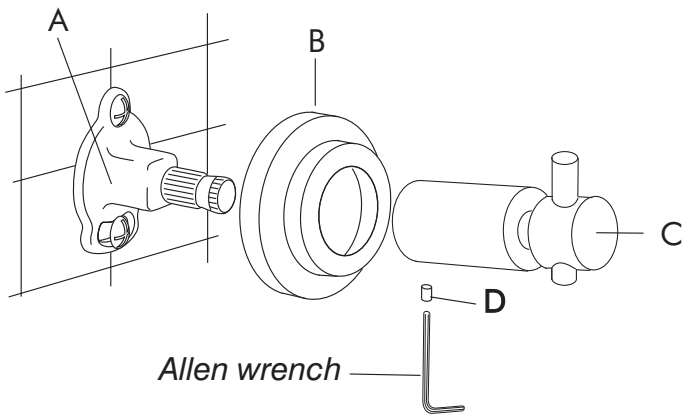


1\_ Using the support (in the position the figure shows), mark the place where you will drill the first hole to mount the accessory.

2\_ Make the necessary hole for No 6 plastic anchor and then put the plastic anchor.

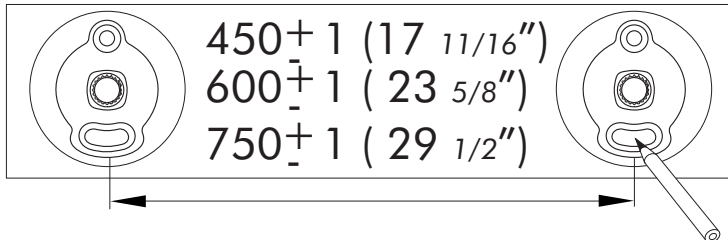


3\_ Affix the support to the wall using the screws and the plastic anchors provided. Repeat the procedure (1 and 2) to complete the fixation of the support.



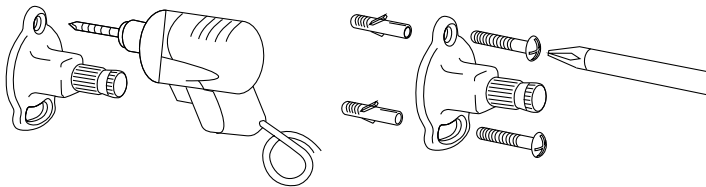
4\_ Slide the escutcheon (B) and the main part (C) over the support (A) until it bottom against the wall. Tighten the set-screw (D) with the Allen wrench provided.

## **Assembling**

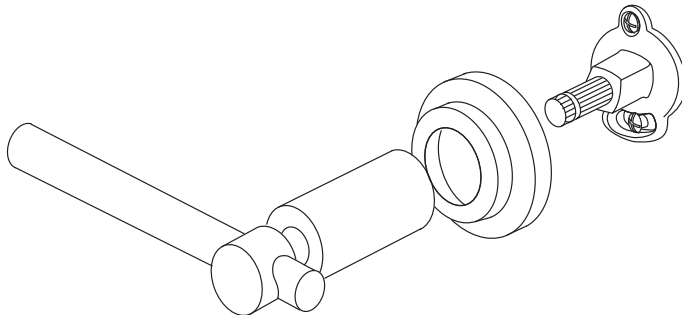


For accessories such as towel bars, please bear in mind the following:

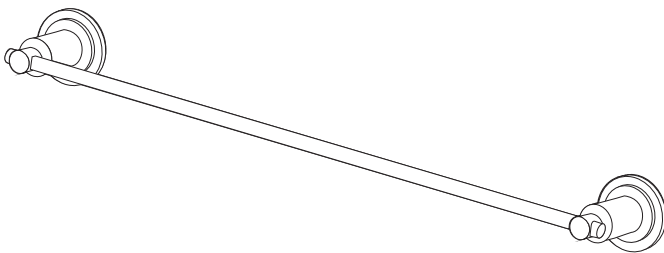
a\_ Using the template attached to the towel bar, mark the places where you will drill. Take care to verify horizontals.



b\_ Follow previous instructions (1, 2 and 3) for affixing the supports.



c\_ Put the complete set together, without escutcheon. Tighten the supports (see picture).



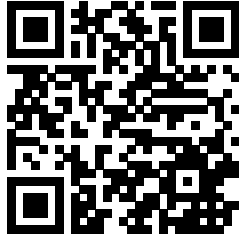
d\_ Put set together with the escutcheons.







**WARRANTY:** For more information please visit <https://franzviegener.com/warranty/>



---

**FRANZ VIEGENER Customer Service Department**

Phone 847-244-3837 - [info@franzviegener.com](mailto:info@franzviegener.com).

4000 Porett Drive - Gurnee, IL, 60031-USA.

Follow us on social media!



Scan the code  
to get more  
information  
about this line.

**[www.franzviegener.com](http://www.franzviegener.com)**