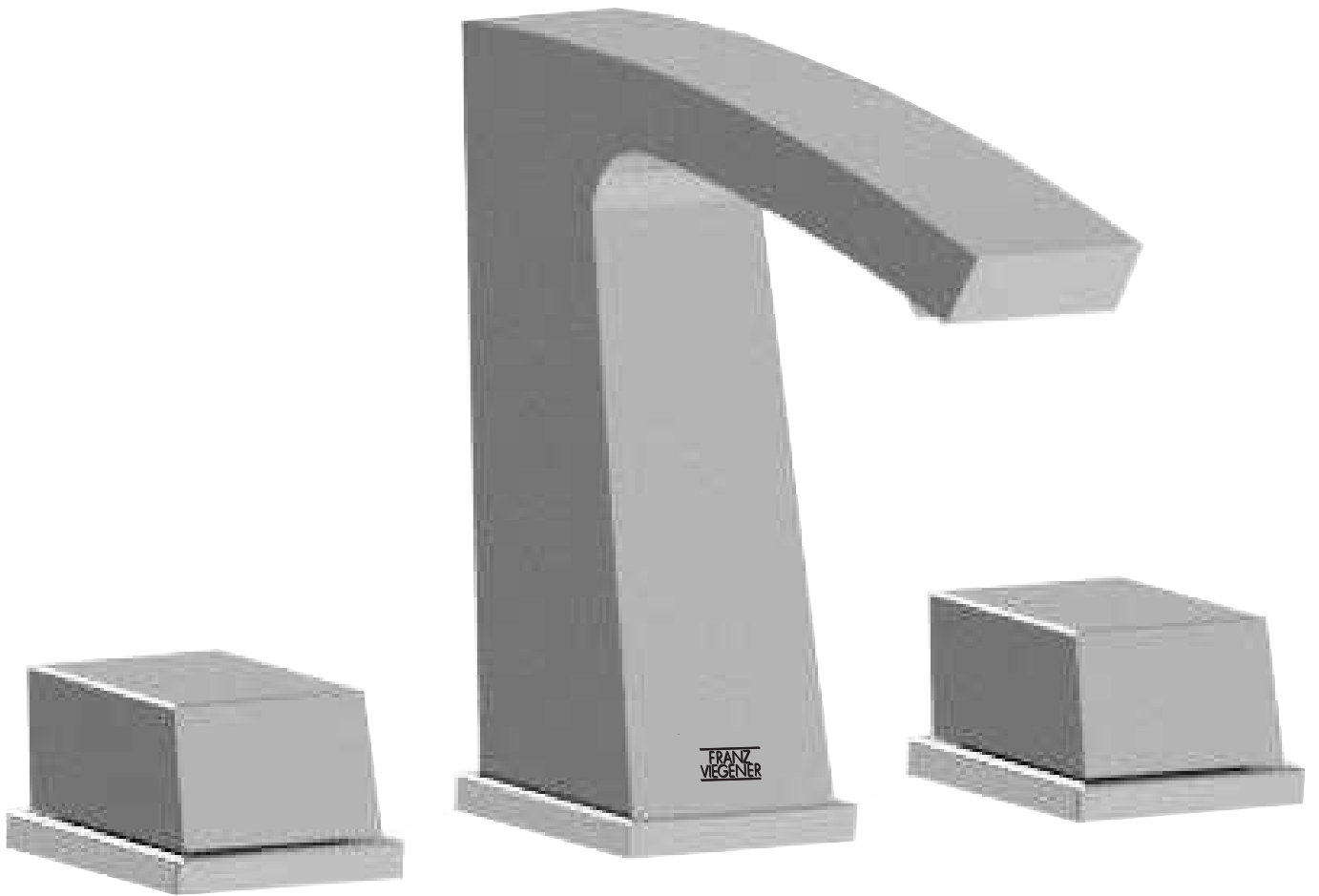


FRANZ VIEGENER

B u z z

i n s t a l l a t i o n



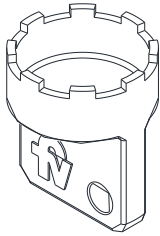
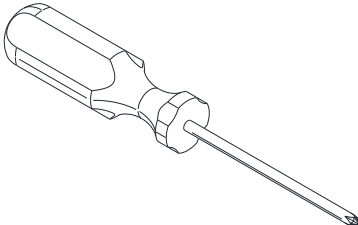
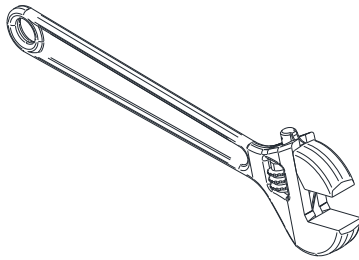

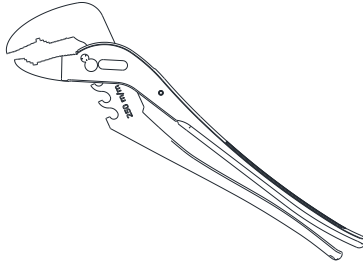
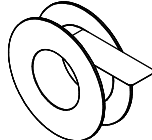
FV207/J8

CONGRATULATIONS !

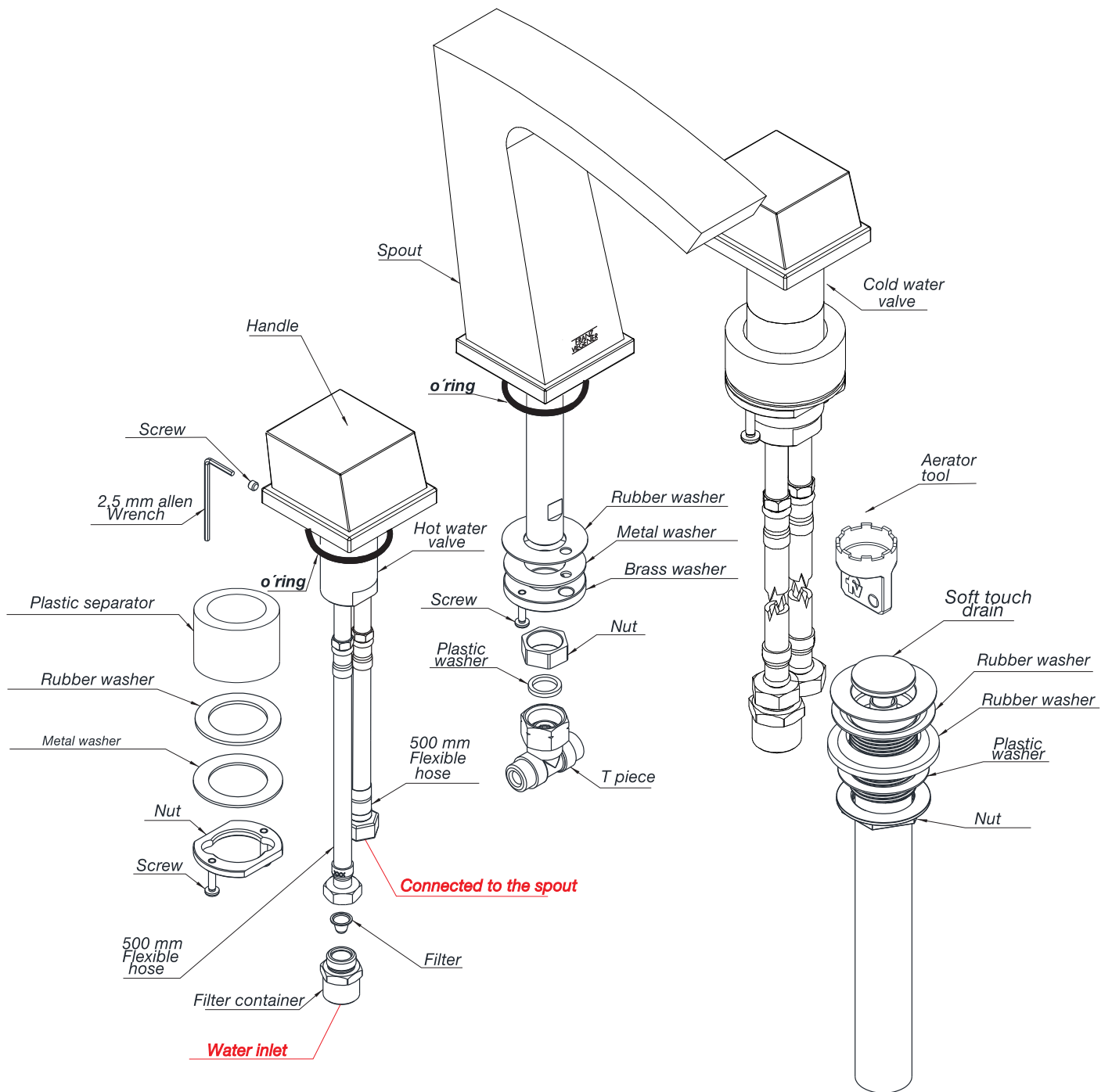
This product has been subjected to stringent tests for its quality, performance and finish. We guarantee years of trouble free operation. We thank you for your choice and above all for the trust you are placing in us. This trust is what motivates us to improve every day.

Before connecting the faucet to the water supply, flush the tubing thoroughly to eliminate any residue.

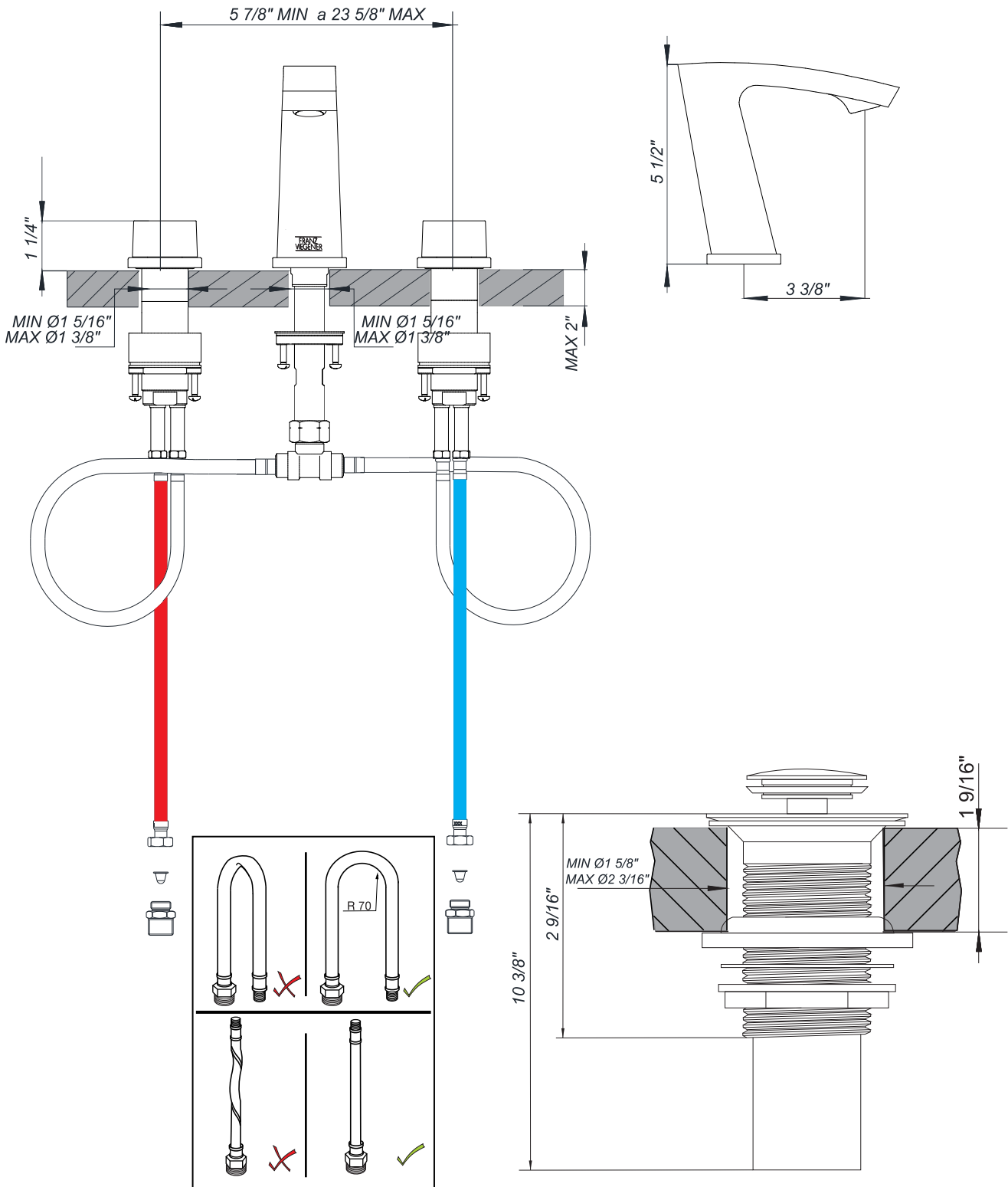
Required installation tools.

Provided.	Not provided.
	 <p>Phillips Screwdriver</p>
<p>Aerator tool</p>	 <p>Adjustable wrench</p>
	 <p>Channellock.</p>
<p>Allen wrench.</p>	 <p>Teflon tape.</p>

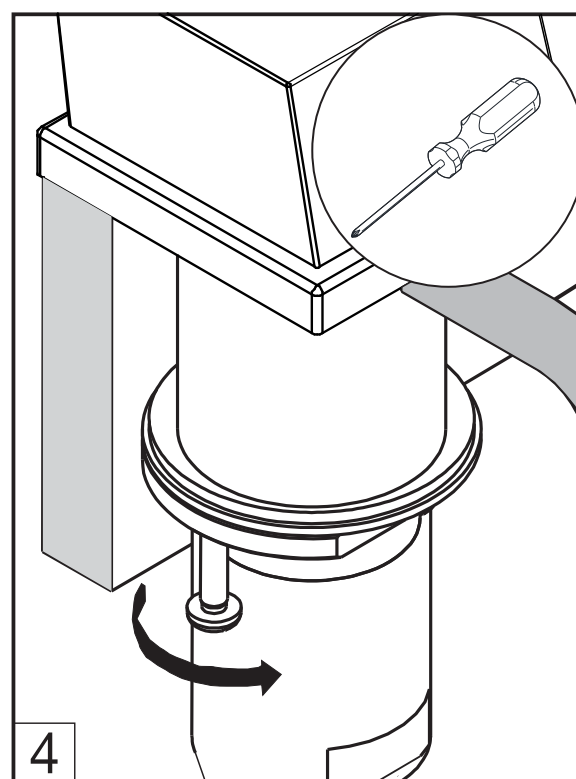
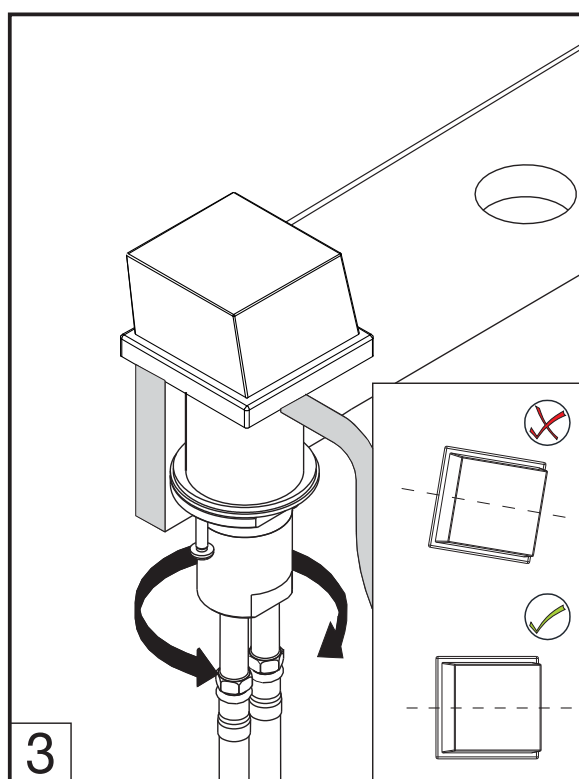
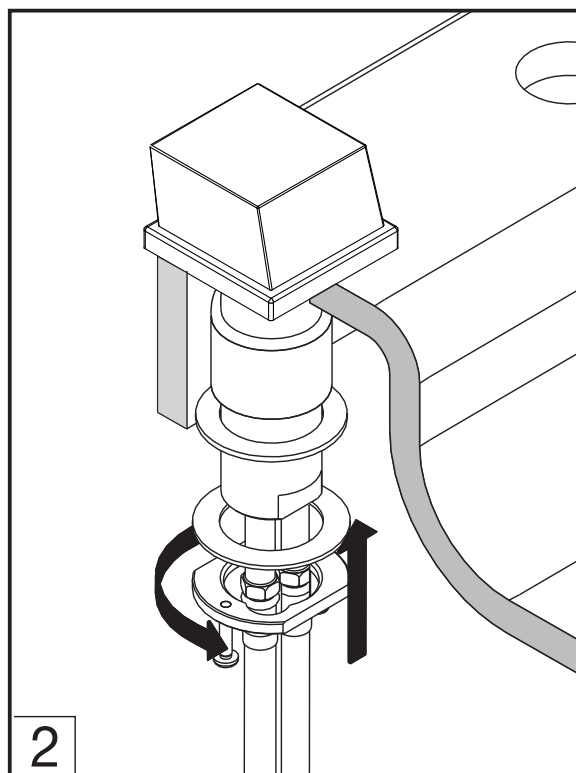
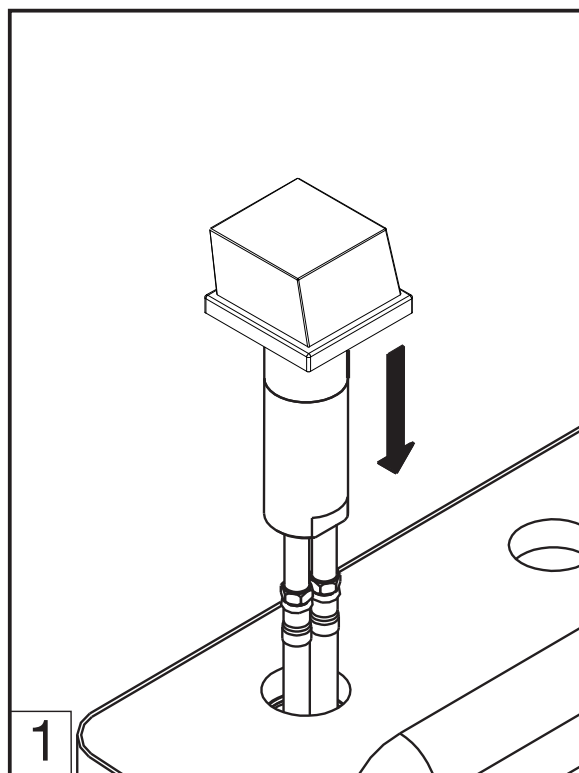
FV207/J8 Widespread lavatory.



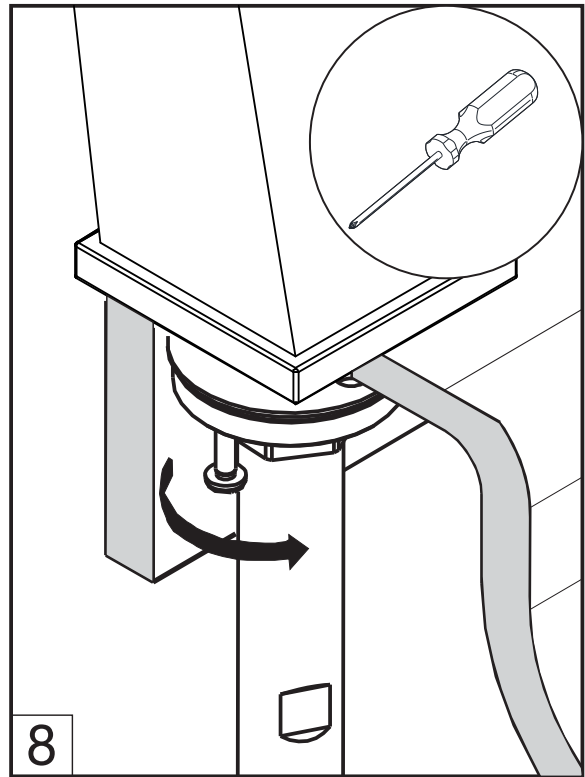
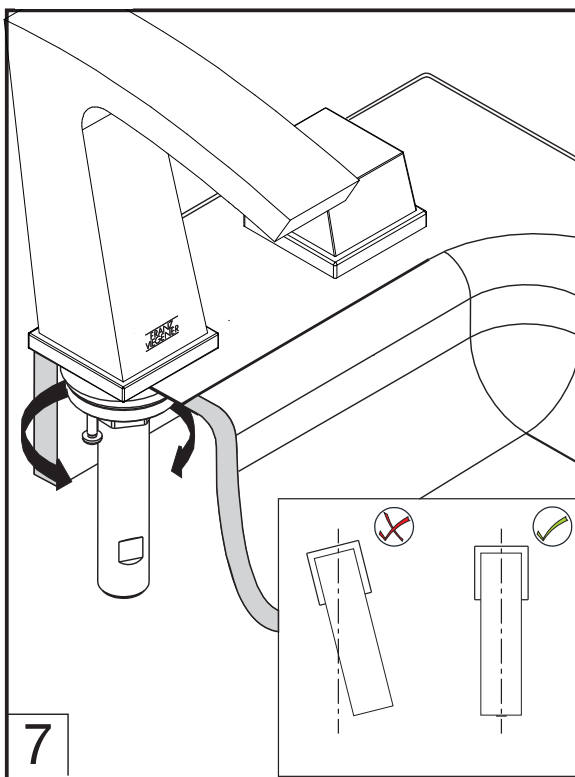
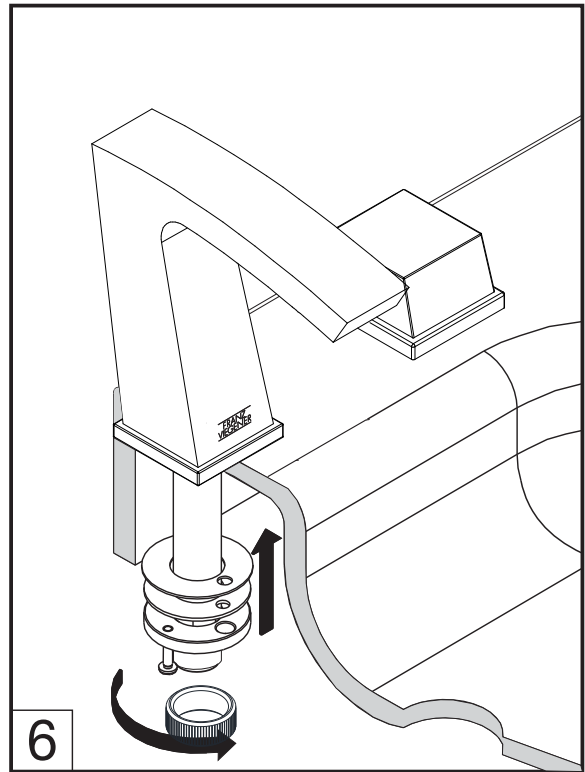
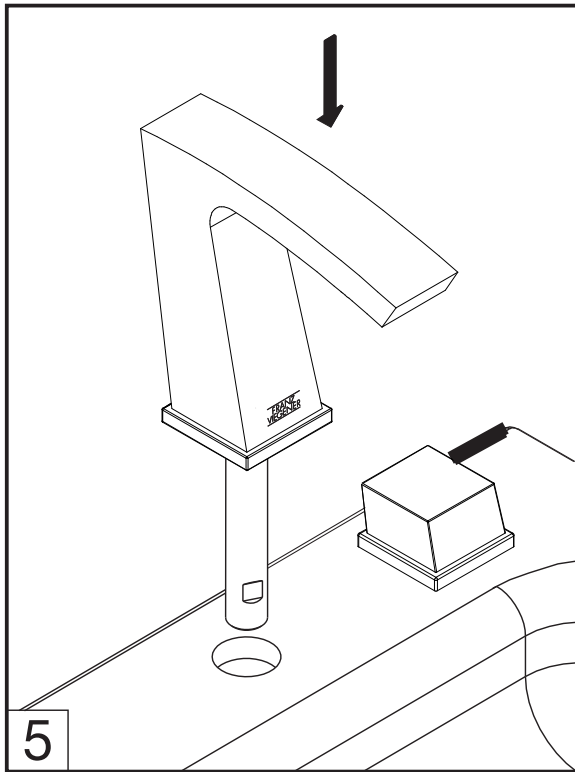
FV207/J8
Widespread lavatory.

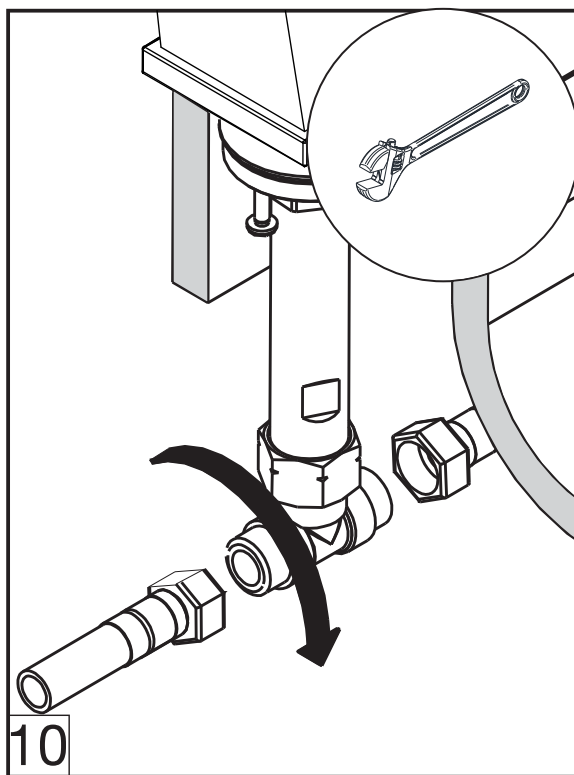
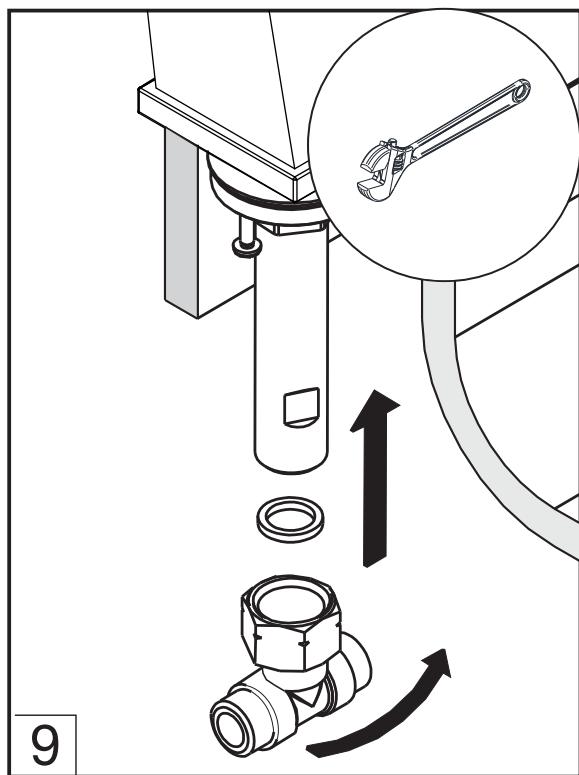


Handle installation.

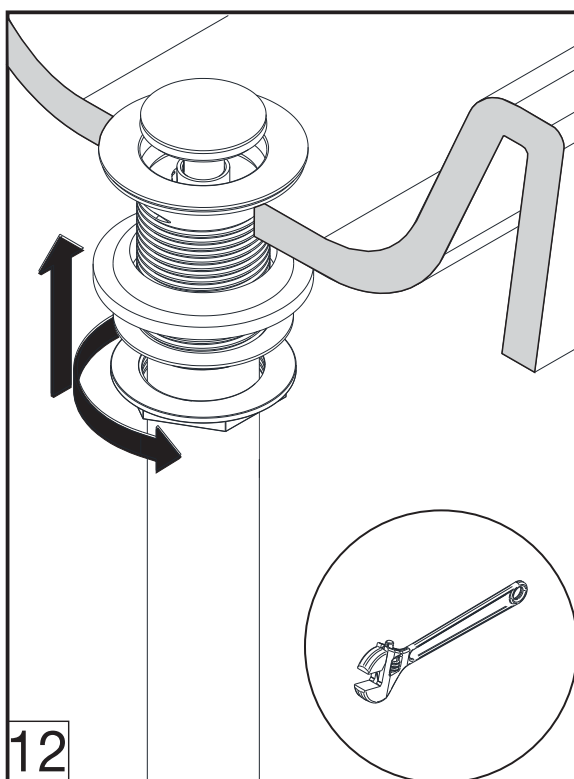
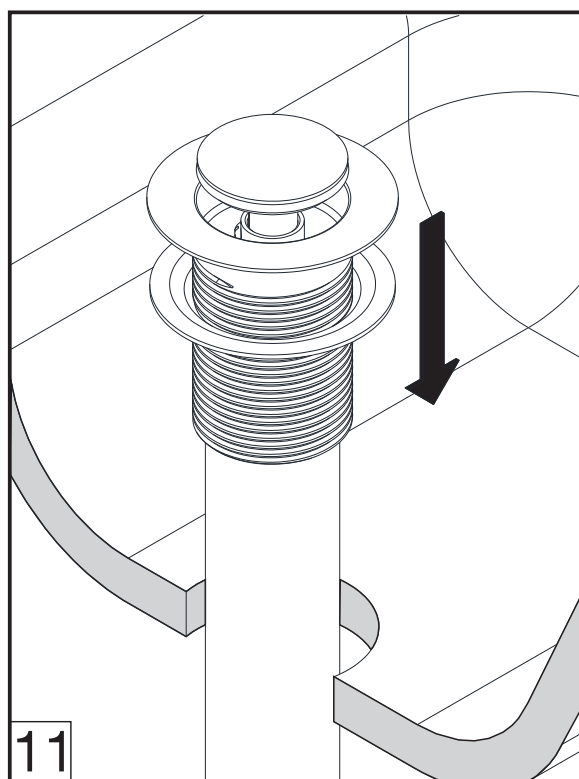


Spout installation

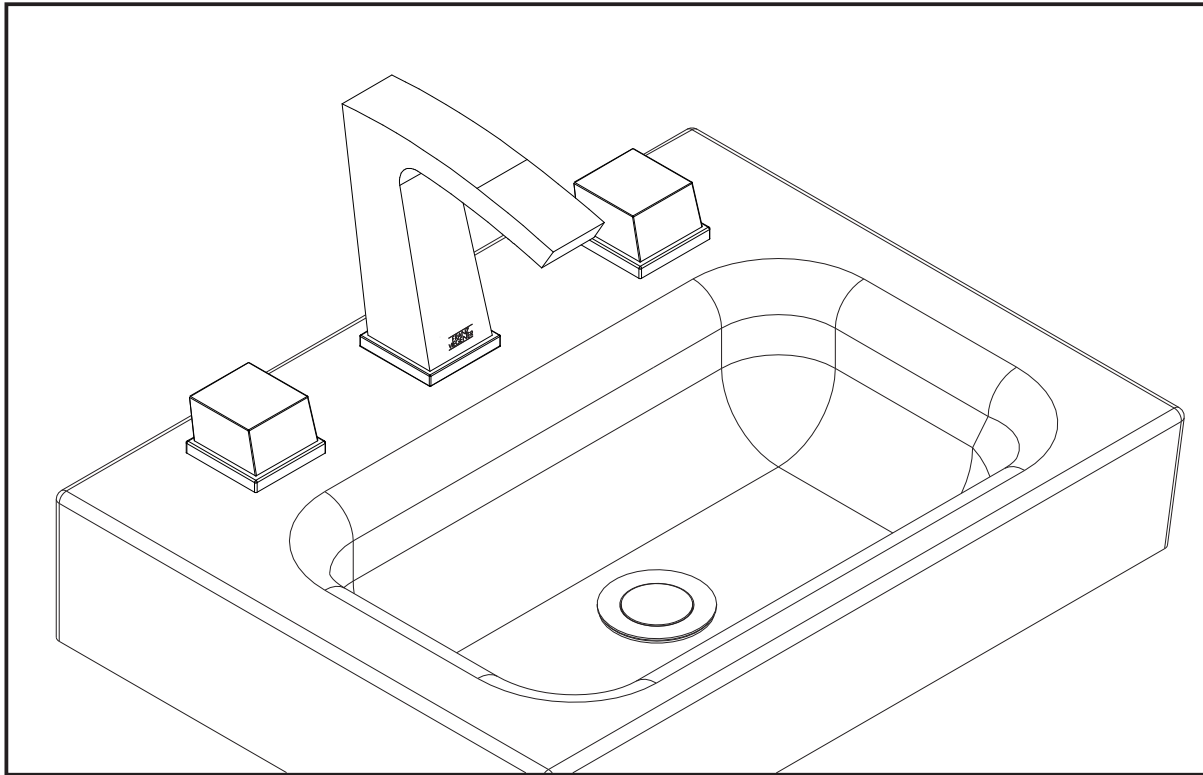




Drain installation

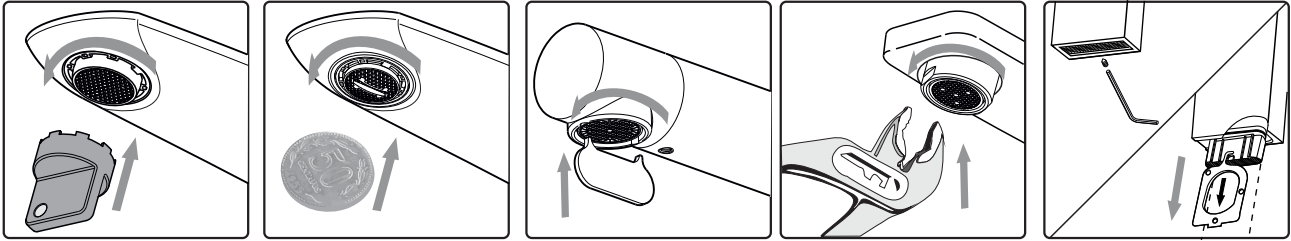


Finished installation



Notes

Aerator cleaning

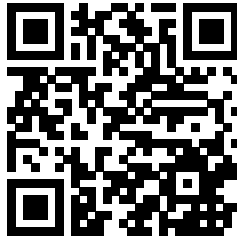


Place the corresponding tool according to the type of aerator you have and remove it. Wash it under a stream of water. If there is any sediment, place it in a glass of vinegar during the night. Put it back the next day.



Attention! Do not use sharp objects to unblock the aerator

WARRANTY: For more information please visit <https://franzviegner.com/warranty/>



FRANZ VIEGENER Customer Service Department (800) 446-9700

Phone 847-244-3837 / Fax 847-249-4049 - info@franzviegner.com

4000 Porett Drive - Gurnee, IL, 60031-USA.

Follow us on social media!    



Scan the code to get more information about this line.

www.franzviegner.com