

## Installation and maintenance / Instalación y mantenimiento

Before connecting the faucet to the water supply, flush the tubing thoroughly to eliminate any residue /  
Antes de conectar la grifería a la distribución de agua, purgue muy bien la cañería a fin de eliminar partículas extrañas.

### **FV182/J2-J2P-J2K-J2D-J2R-J2V**

Single handle lavatory set with soft touch drain/Monocomando para lavatorio con sopapa soft touch

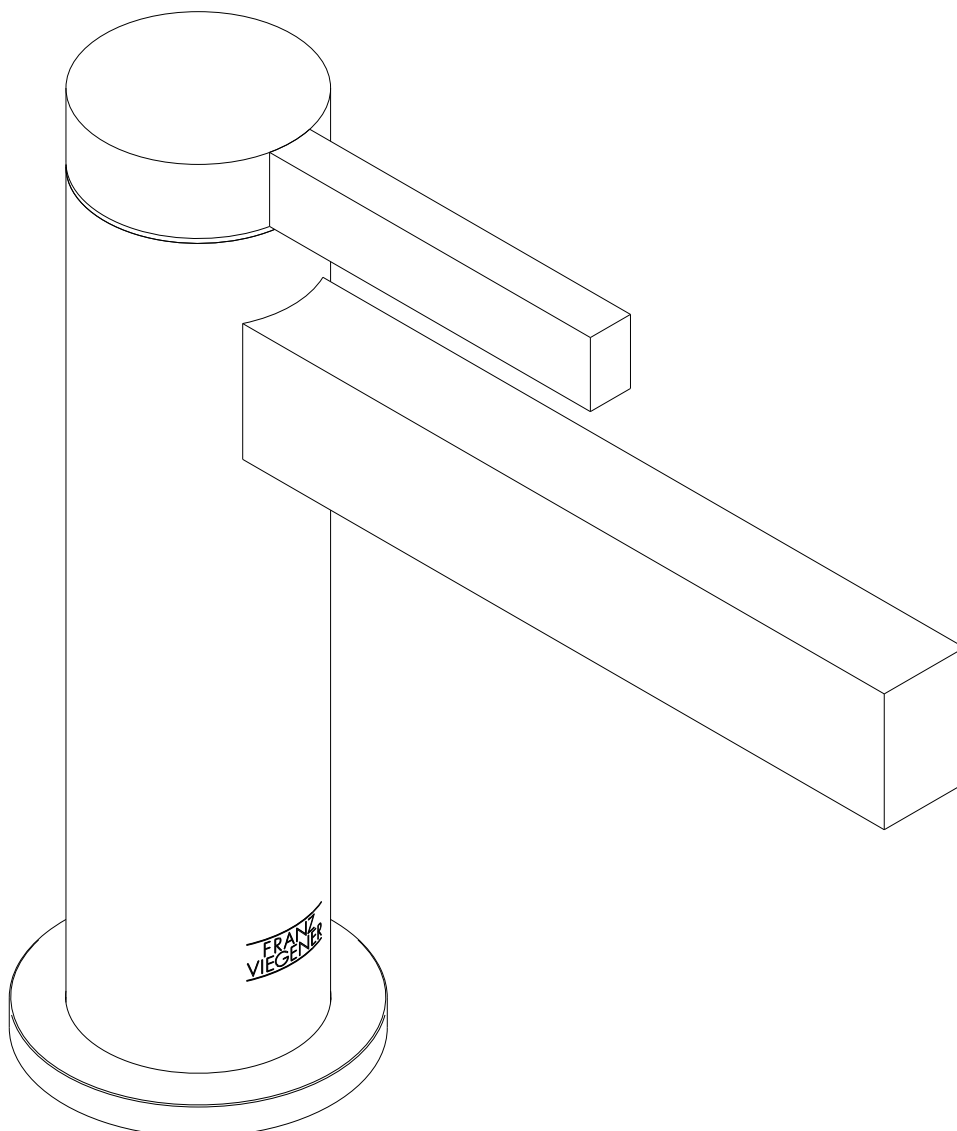
### **FV181/J2- J2P-J2K- J2D- J2R- J2V**

### **FV181.01/J2-J2P-J2K-J2D-J2R-J2V**

### **FV181.02/J2-J2P-J2K-J2D-J2R-J2V**

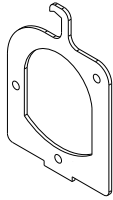
Single handle lavatory set, cylinder handle with push down drain assembly /

Monocomando para lavatorio, con volante cilíndrico y desagüe "push down"



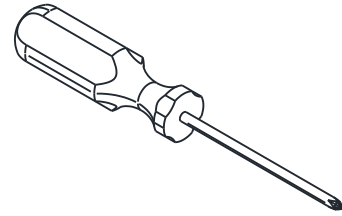
**Required installation tools / Herramientas necesarias para la instalación**

**Provided / Provistas**

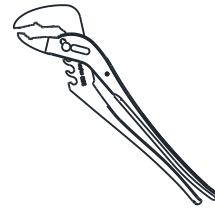


**Aerator Tool**  
Aireador

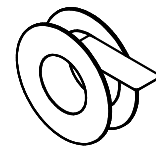
**Not Provided / No Provistas**



**Phillips screwdriver**  
Destornillador Phillips

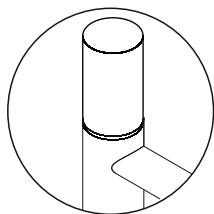


**Channelock**  
Llave pico de loro

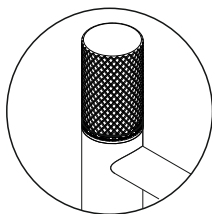


**Sealant Tape**  
Teflón

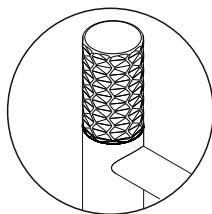
**Handles / Volantes**



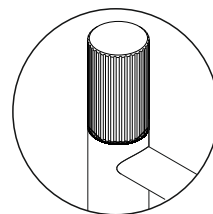
**FV181/J2P**  
**FV182/J2P**  
**FV181.01/J2P**  
**FV181.02/J2P**



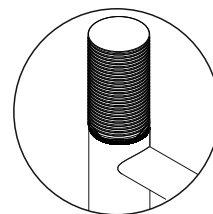
**FV181/J2K**  
**FV182/J2K**  
**FV181.01/J2K**  
**FV181.02/J2K**



**FV181/J2D**  
**FV182/J2D**  
**FV181.01/J2D**  
**FV181.02/J2D**

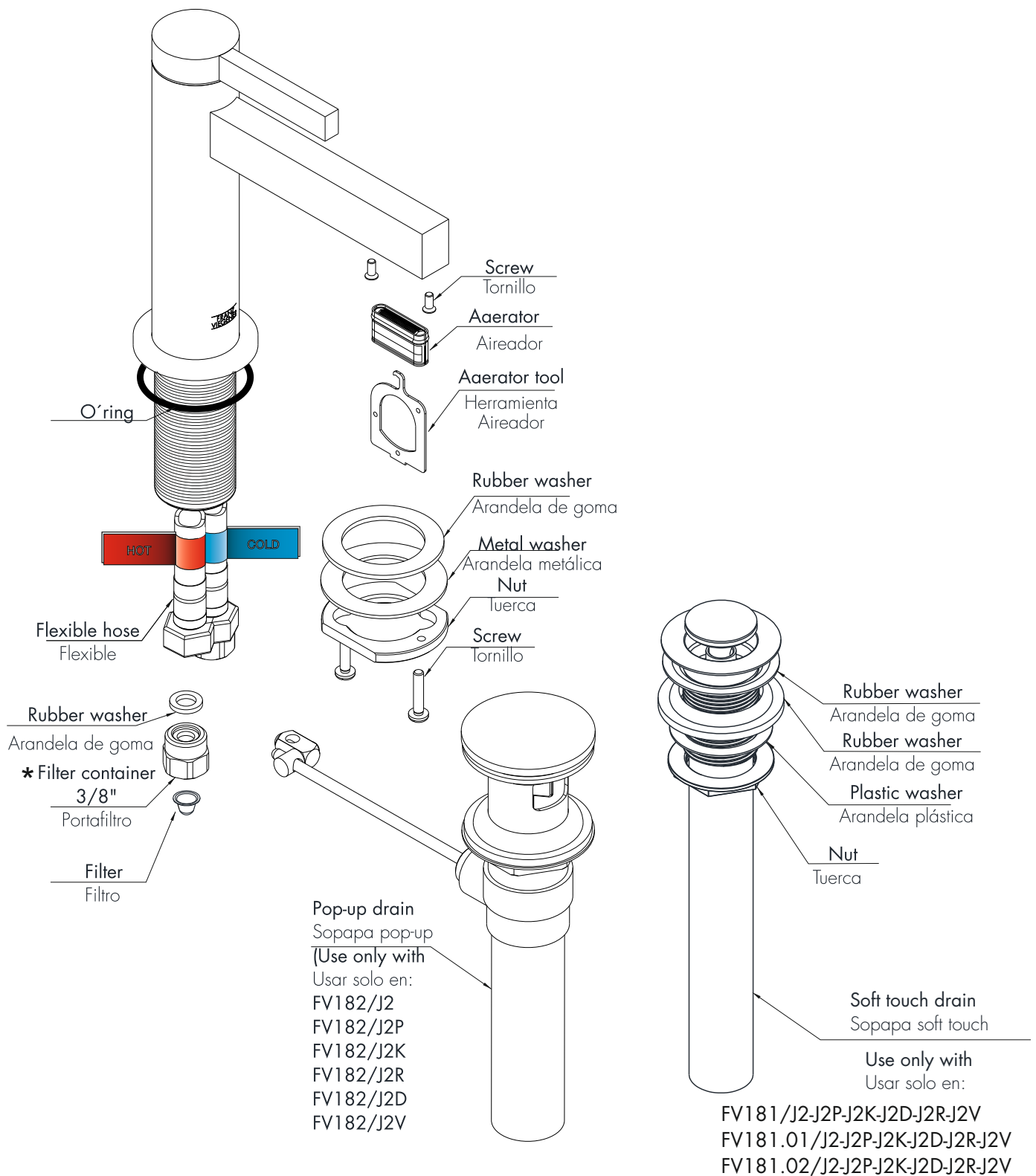


**FV181/J2V**  
**FV182/J2V**  
**FV181.01/J2V**  
**FV181.02/J2V**



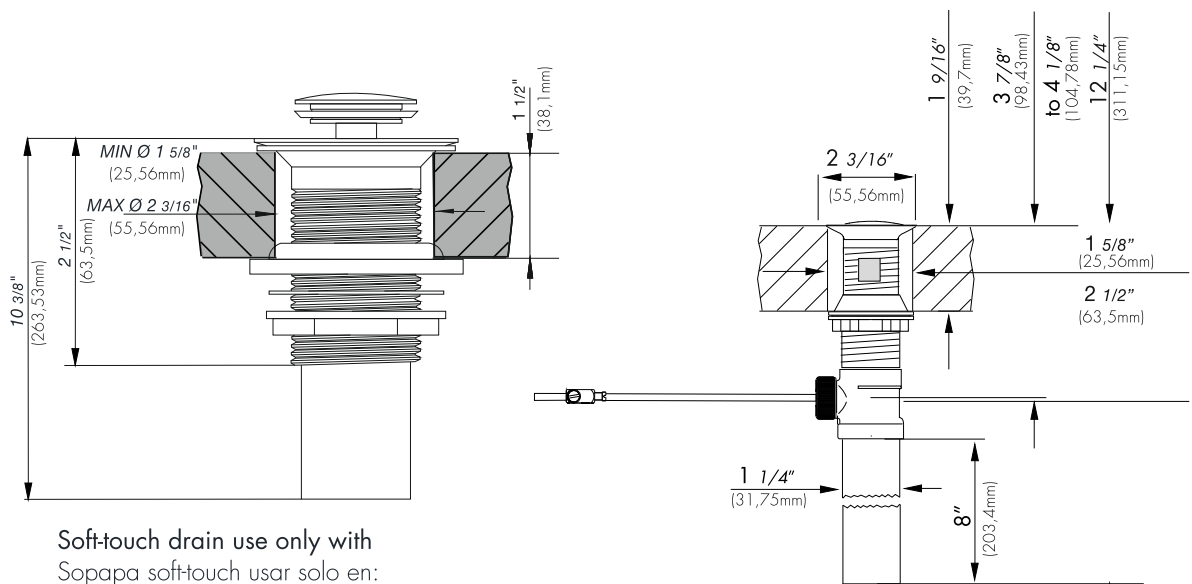
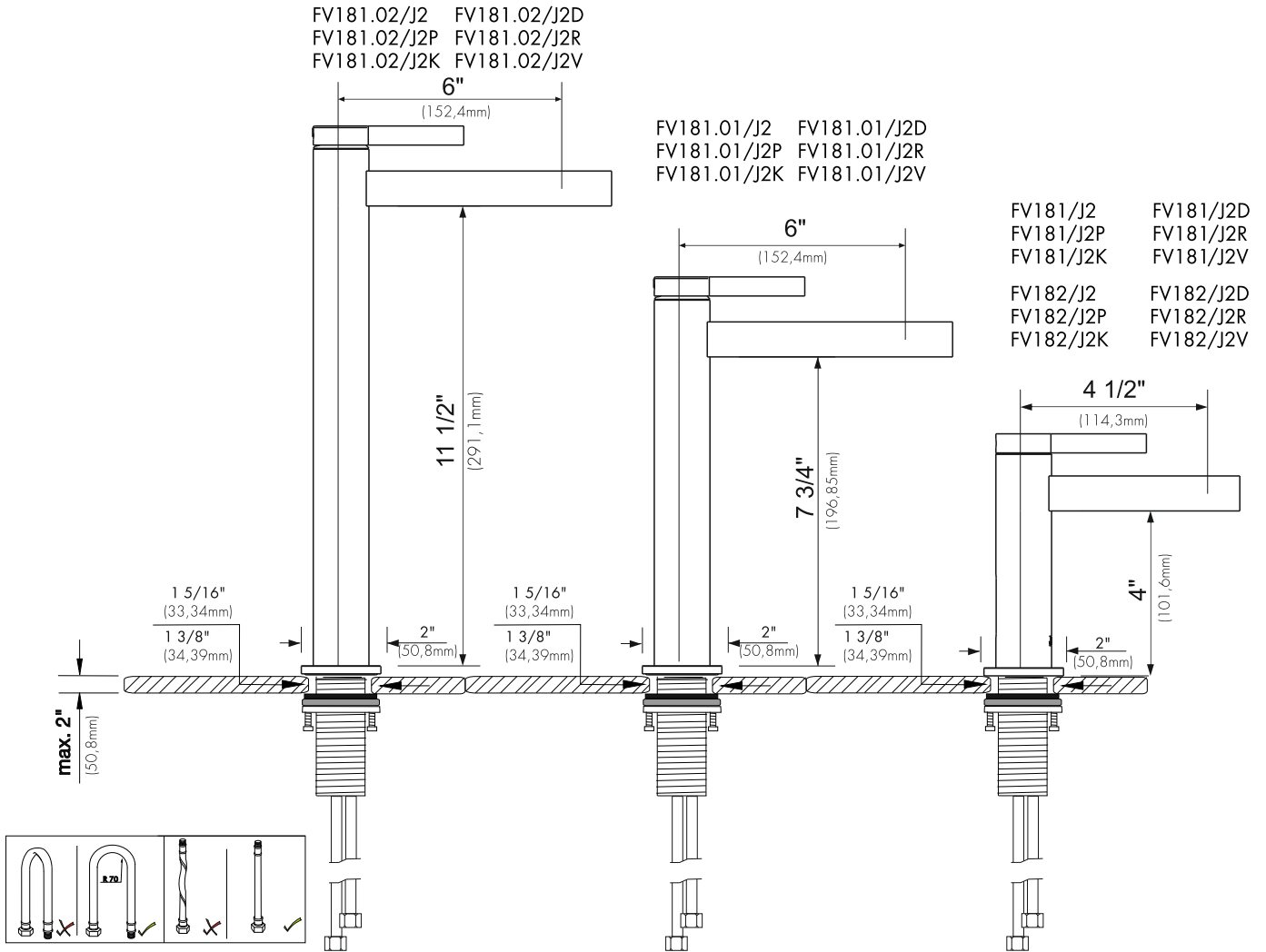
**FV181/J2R**  
**FV182/J2R**  
**FV181.01/J2R**  
**FV181.02/J2R**

Exploded view / Vista explotada



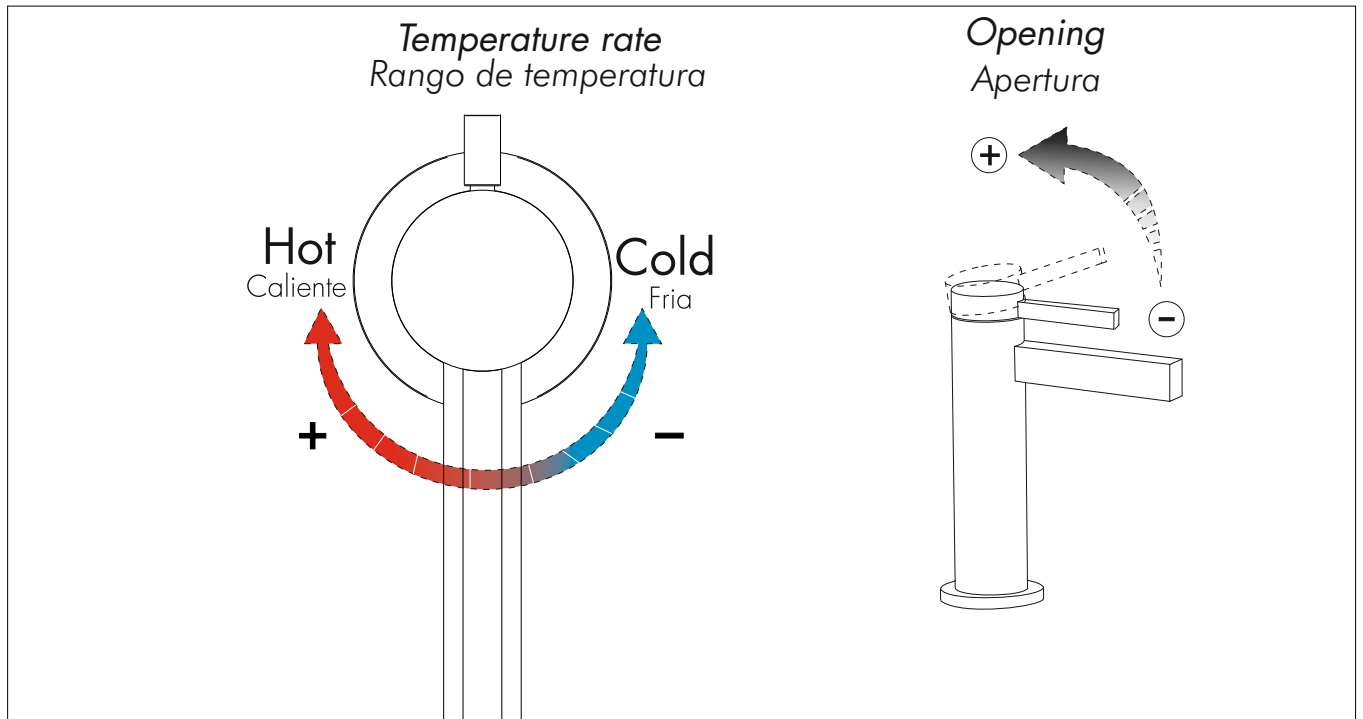
\*Porta filtro opcional 1/2" NPT o 1/2"GAS  
 \*Filter container optional 1/2" NPT or 1/2"GAS

# Measures / Medidas

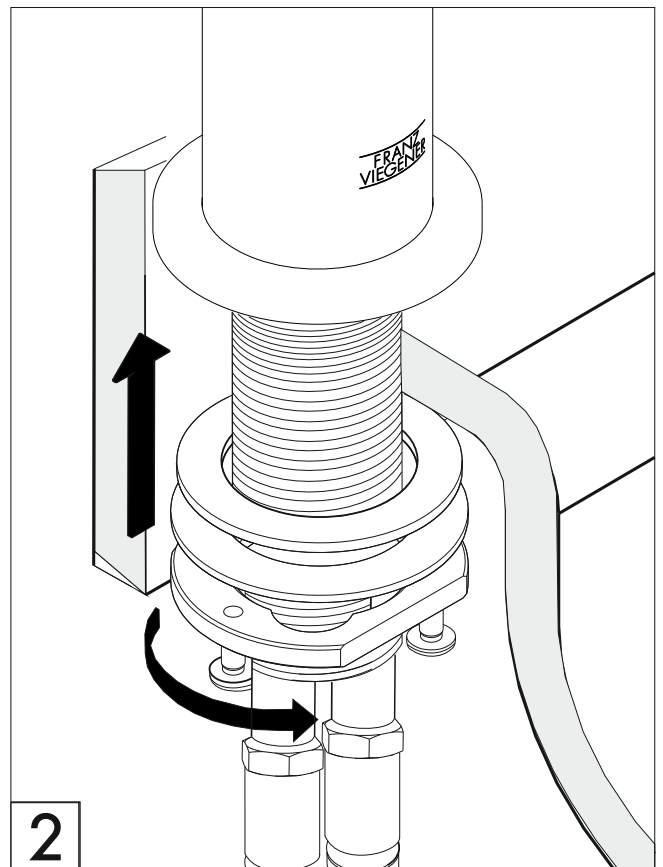
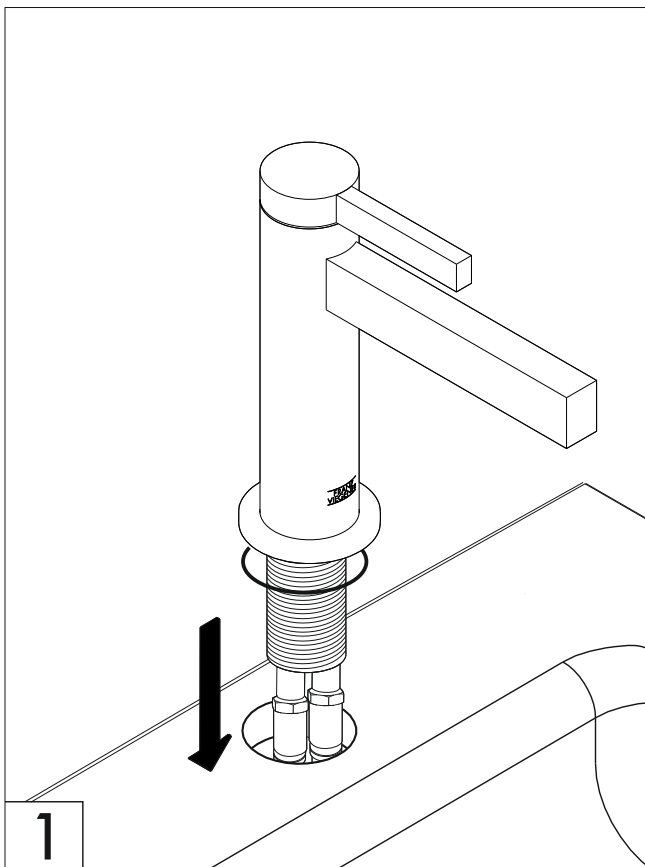


Soft-touch drain use only with  
Sopapa soft-touch usar solo en:  
FV181/J2-J2P-J2K-J2D-J2R-J2V  
FV181.01/J2-J2P-J2K-J2D-J2R-J2V  
FV181.02/J2-J2P-J2K-J2D-J2R-J2V

Pop-up drain Use only with  
Sopapa Pop-up Usar solo en:  
FV182/J2-J2P-J2K-J2D-J2R-J2V

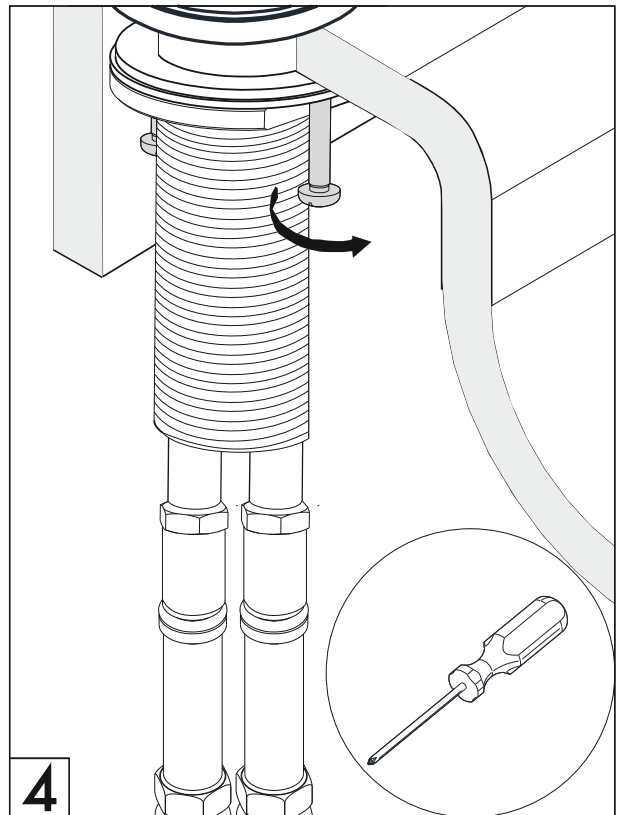
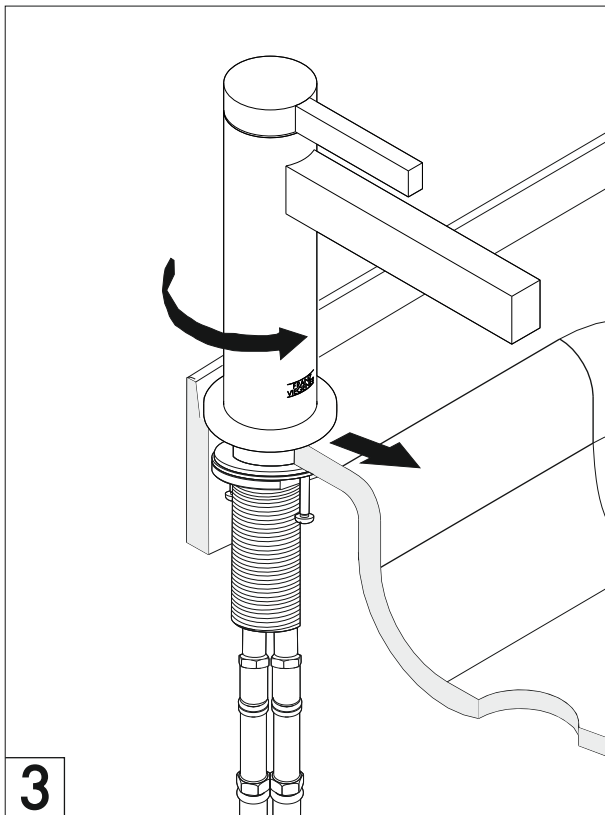


Single handle installation / Instalación de monocomando

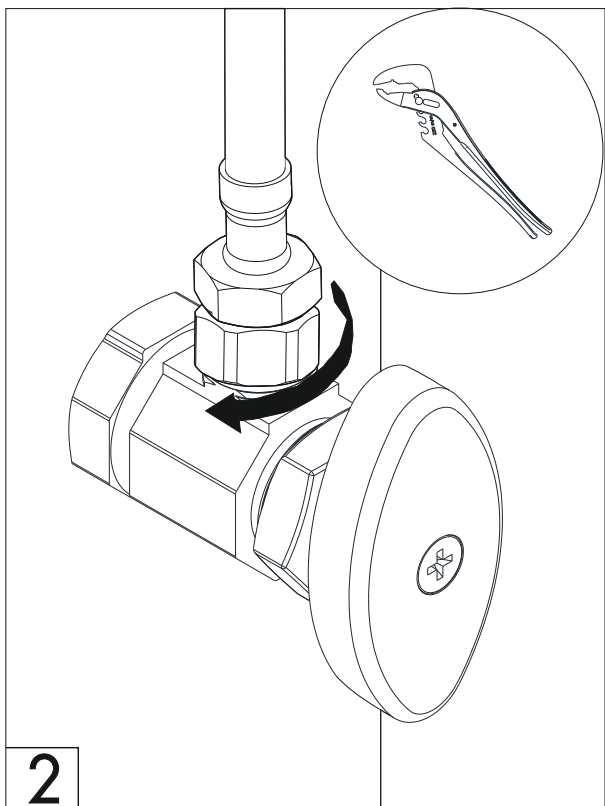
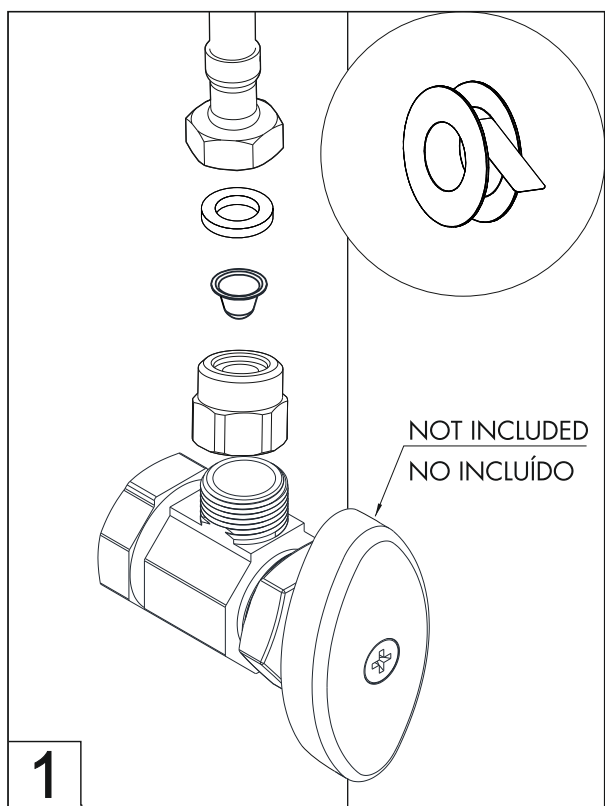


# Installation / Instalación

## Single handle installation / Instalación de monocomando

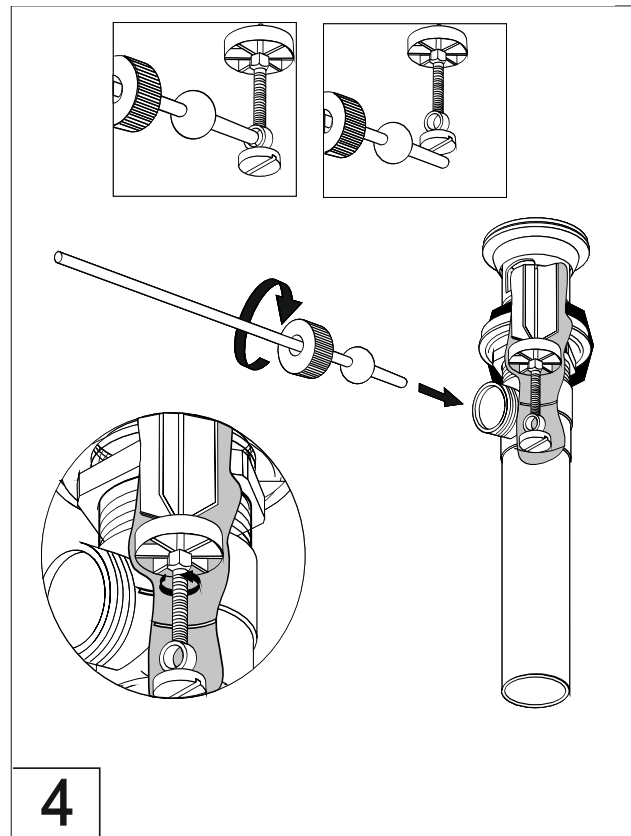
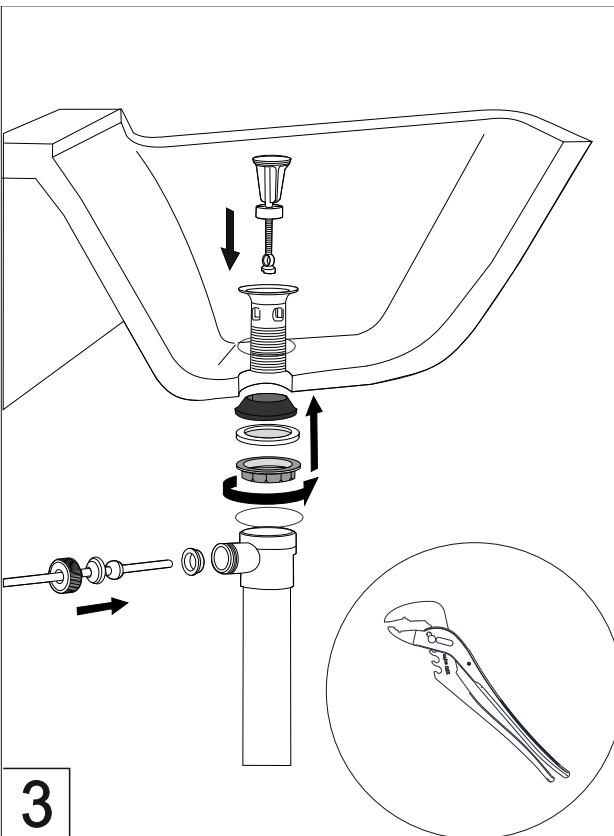
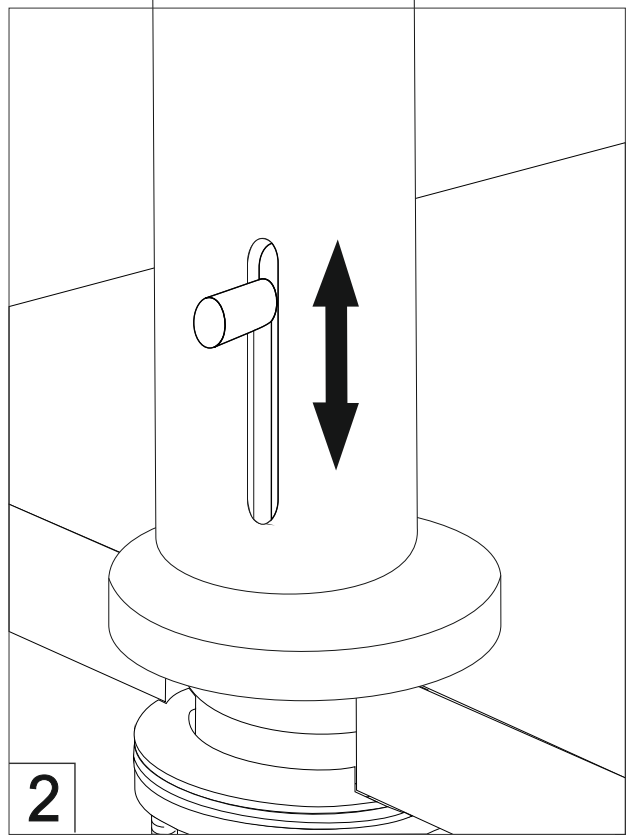
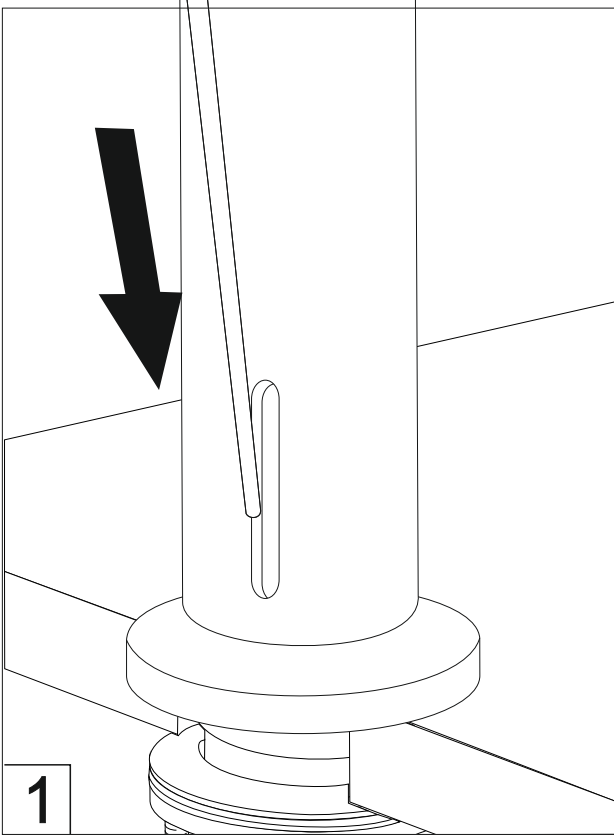


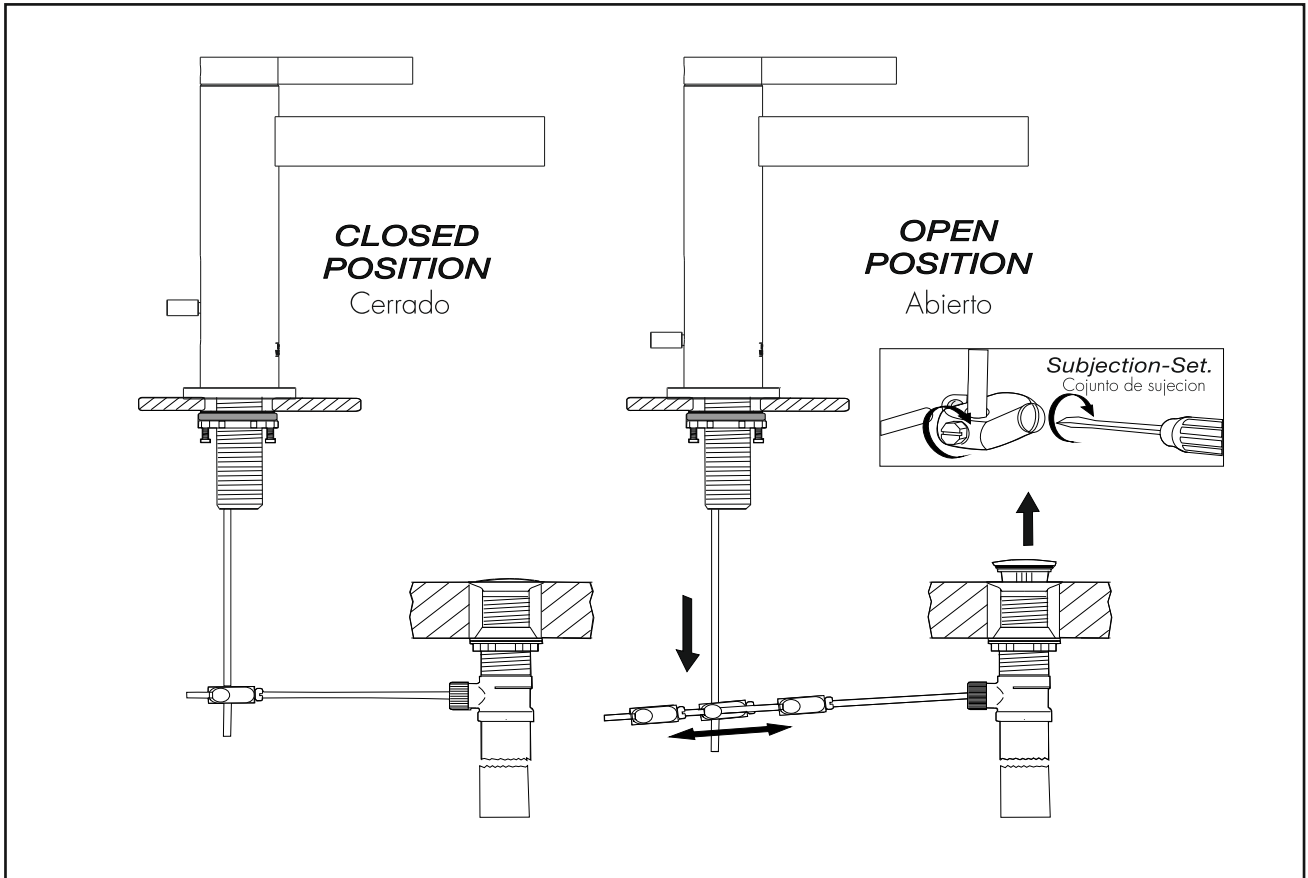
## Flexible connector installation / Instalación de flexible



Installation / Instalación

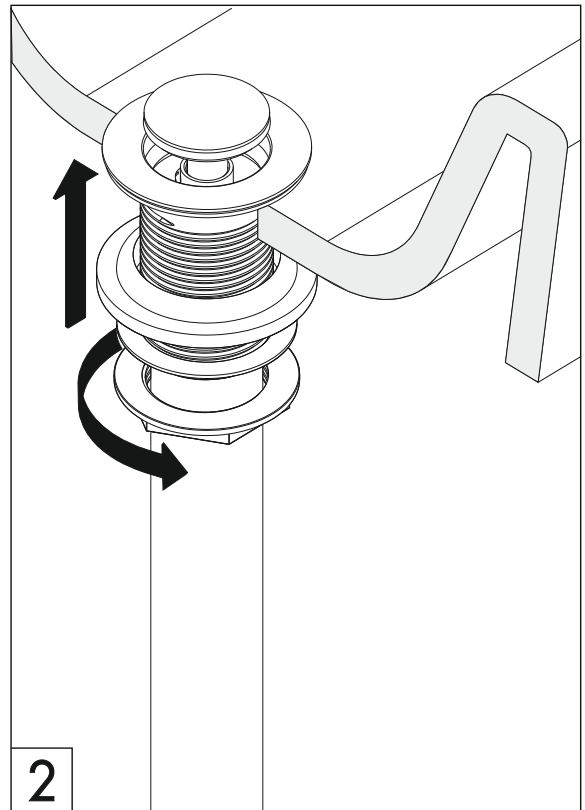
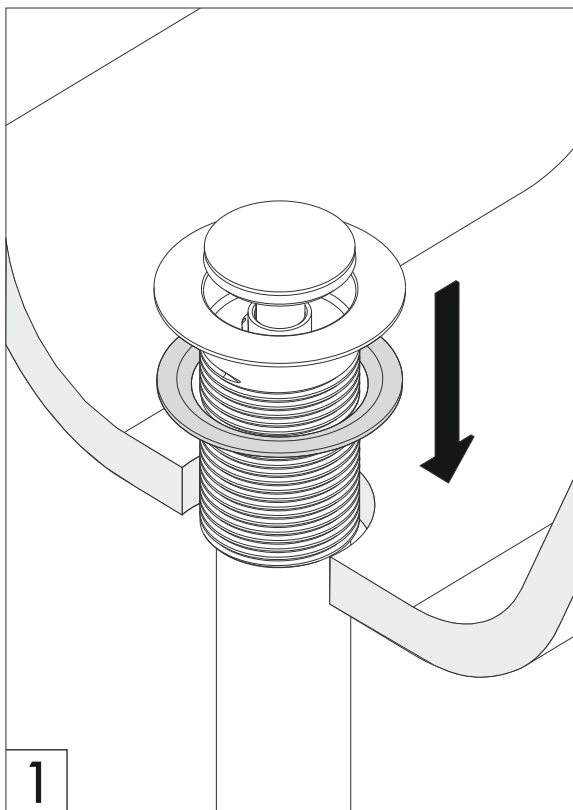
Drain installation / Instalación de sopapa  
**FV182/J2-J2P-J2K-J2R-J2D-J2V**





Drain installation / Instalación de sopapa

**FV181 - FV181.01 - FV181.02 / J2 - J2P - J2K - J2R - J2D - J2V**





## Installation / Instalación

---

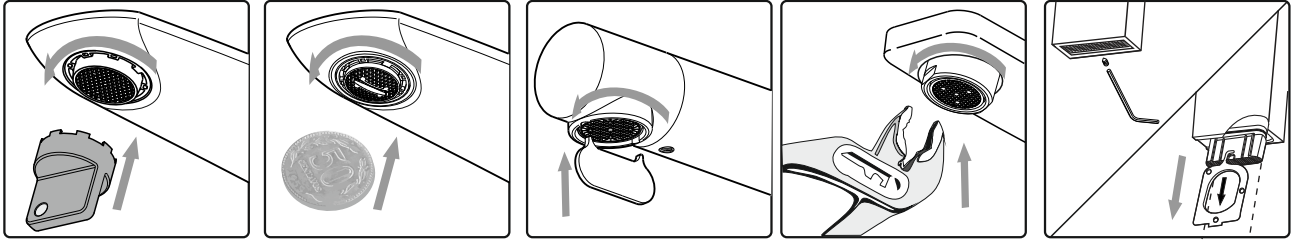
Finished installation / Instalación finalizada







## Aerator cleaning / Limpieza de aireador



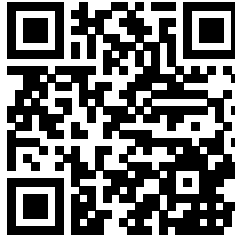
Place the corresponding tool according to the type of aerator you have and remove it. Wash it under a stream of water. If there is any sediment, place it in a glass of vinegar during the night. Put it back the next day.

Coloque la herramienta correspondiente según el tipo de aireador y remuevalo del pico. Lávelo bajo un chorro de agua. Si esta tapado colóquelo en un vaso de vinagre durante la noche. Al día siguiente vuelva a armarlo.



**Attention! Do not use sharp objects to unblock the aerator**  
**¡Atención! NO intente destapar el aireador utilizando**  
**objetos punzantes que puedan dañarlo**

**WARRANTY:** For more information please visit <https://franzviegner.com/warranty/>



FRANZ VIEGENER Customer Service Department (800) 446-9700

Phone 847-244-3837 / Fax 847-249-4049 - [info@franzviegner.com](mailto:info@franzviegner.com)

4000 Porett Drive - Gurnee, IL, 60031-USA.

Follow us on social media!



Scan the code  
to get more  
information  
about this line.

[www.franzviegner.com](http://www.franzviegner.com)