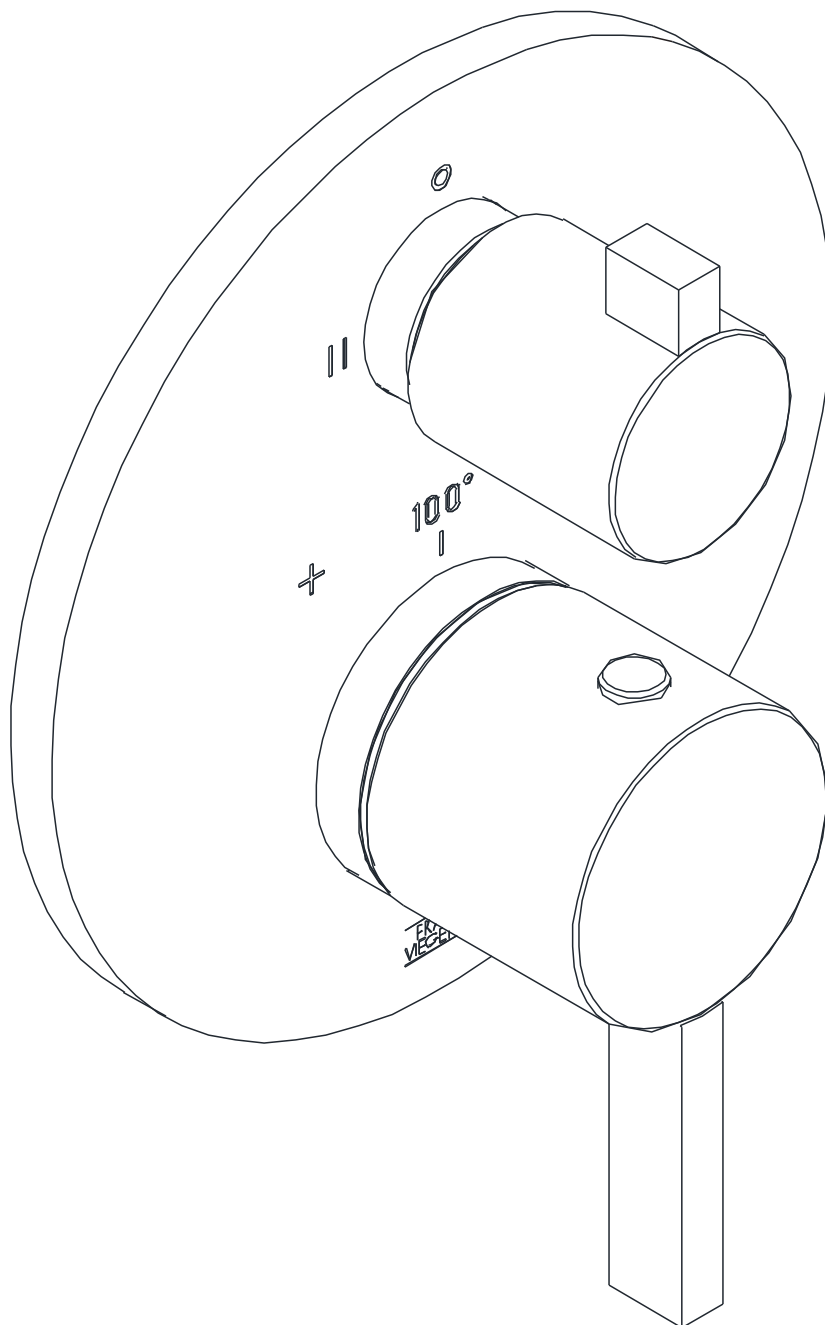


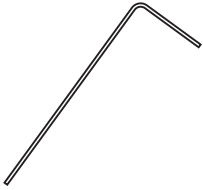
Before connecting the faucet to the water supply, flush the tubing thoroughly to eliminate any residue.

FV227/J2.0-J2K.0 Trim for 1/2" thermostatic valve



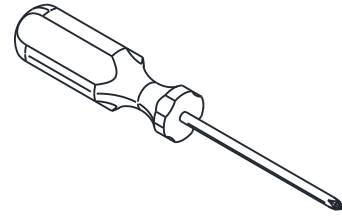
Required installation tools

Provided



Allen Wrench

Not Provided

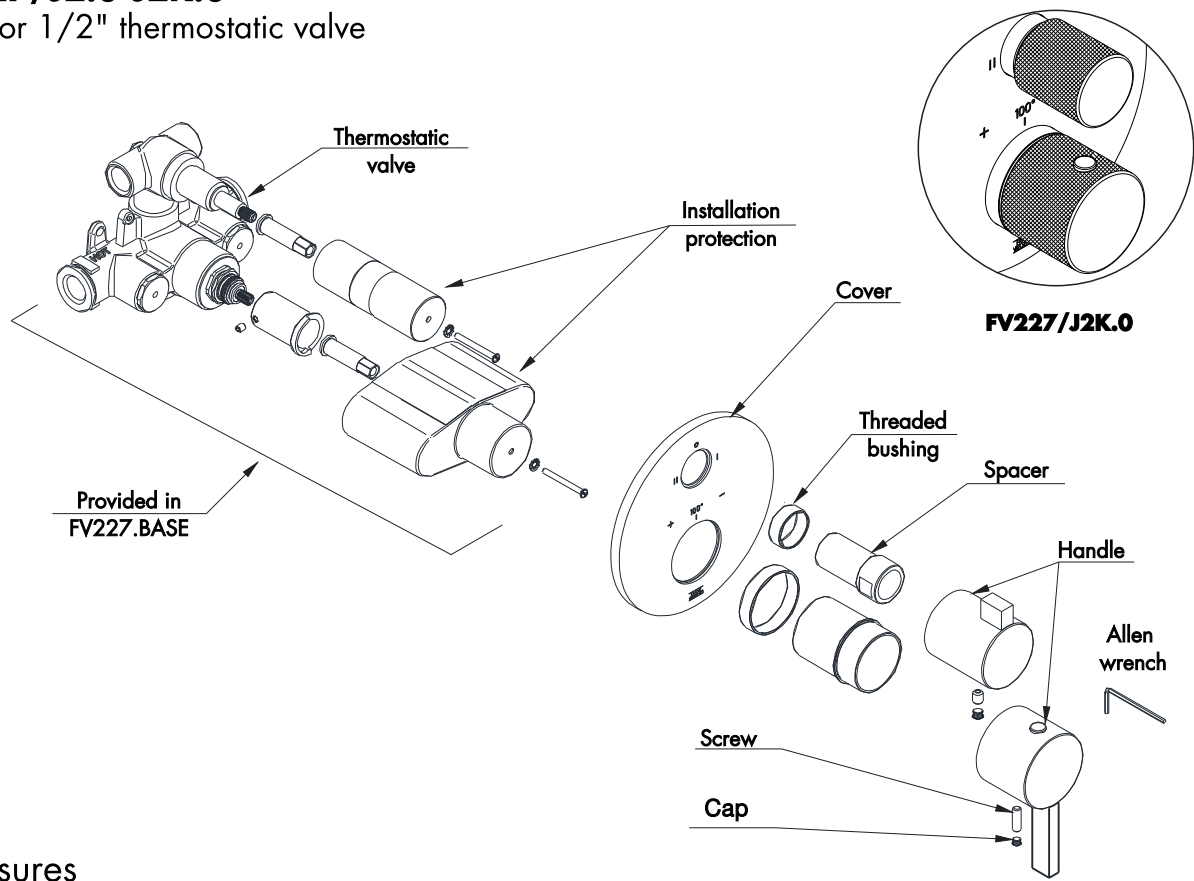


Phillips screwdriver

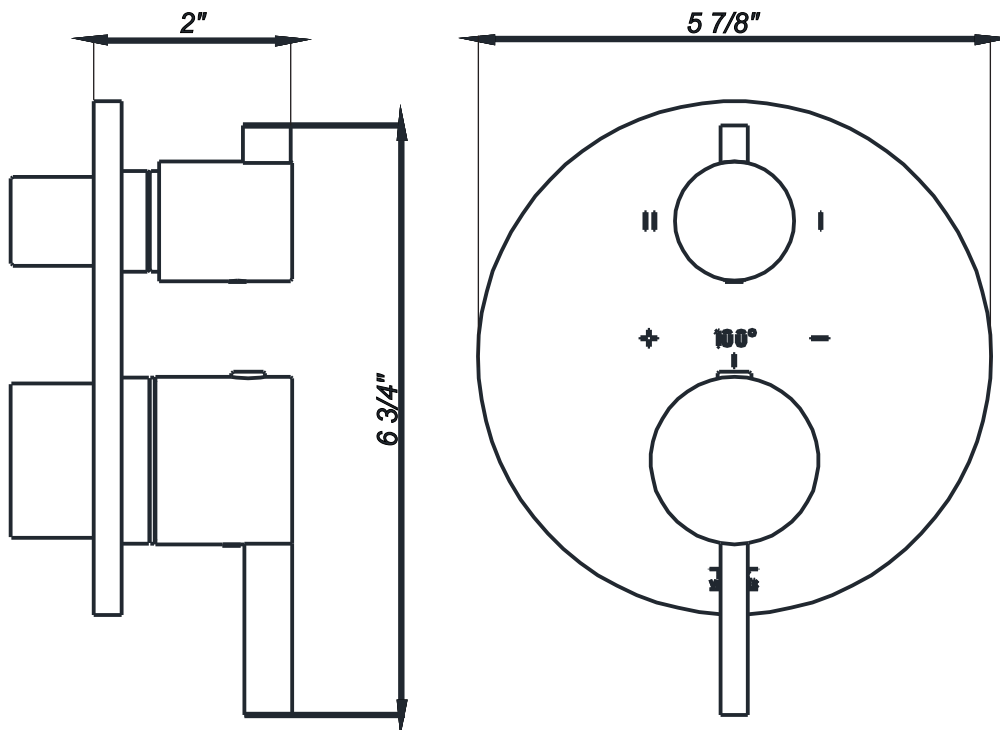
Exploded view

FV227/J2.0-J2K.0

Trim for 1/2" thermostatic valve

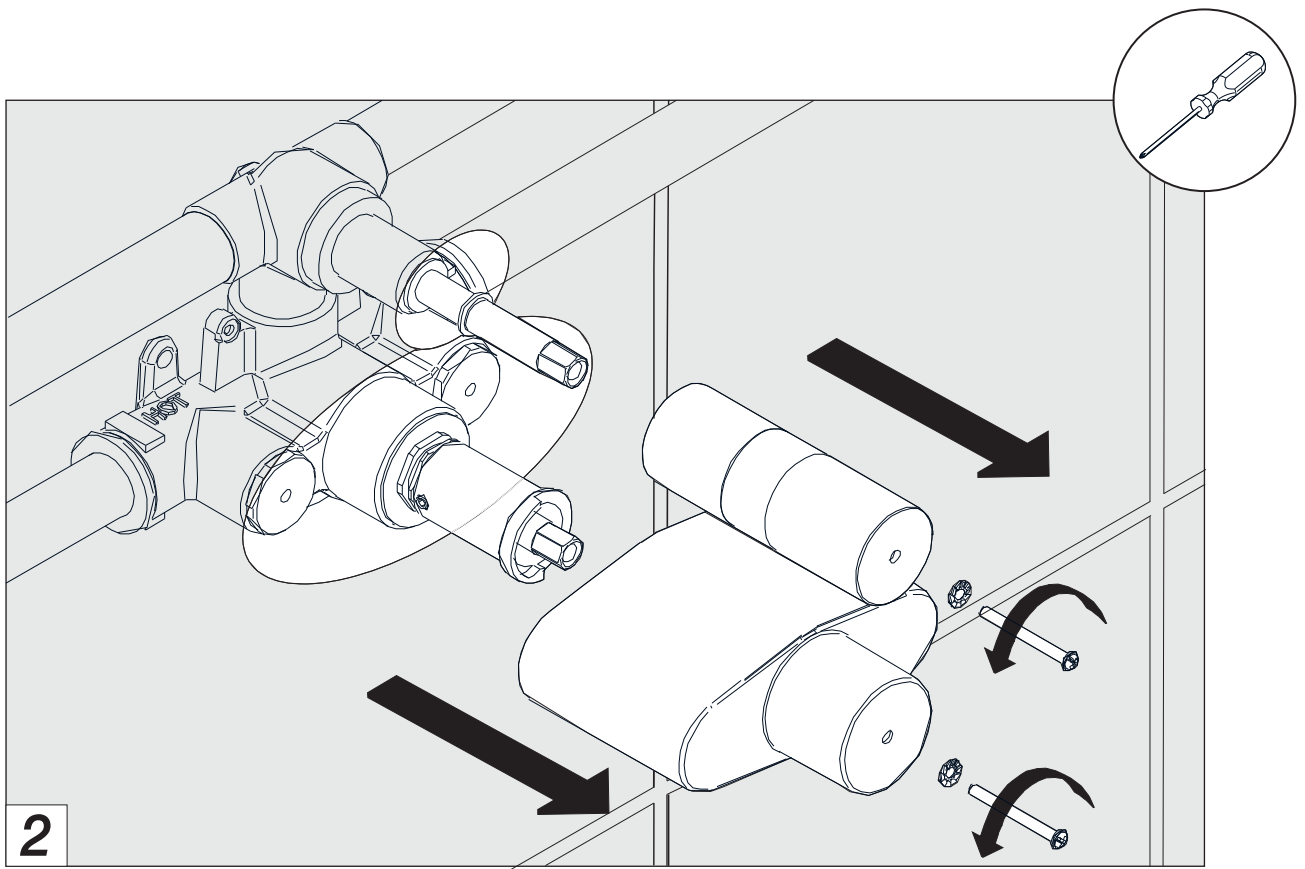
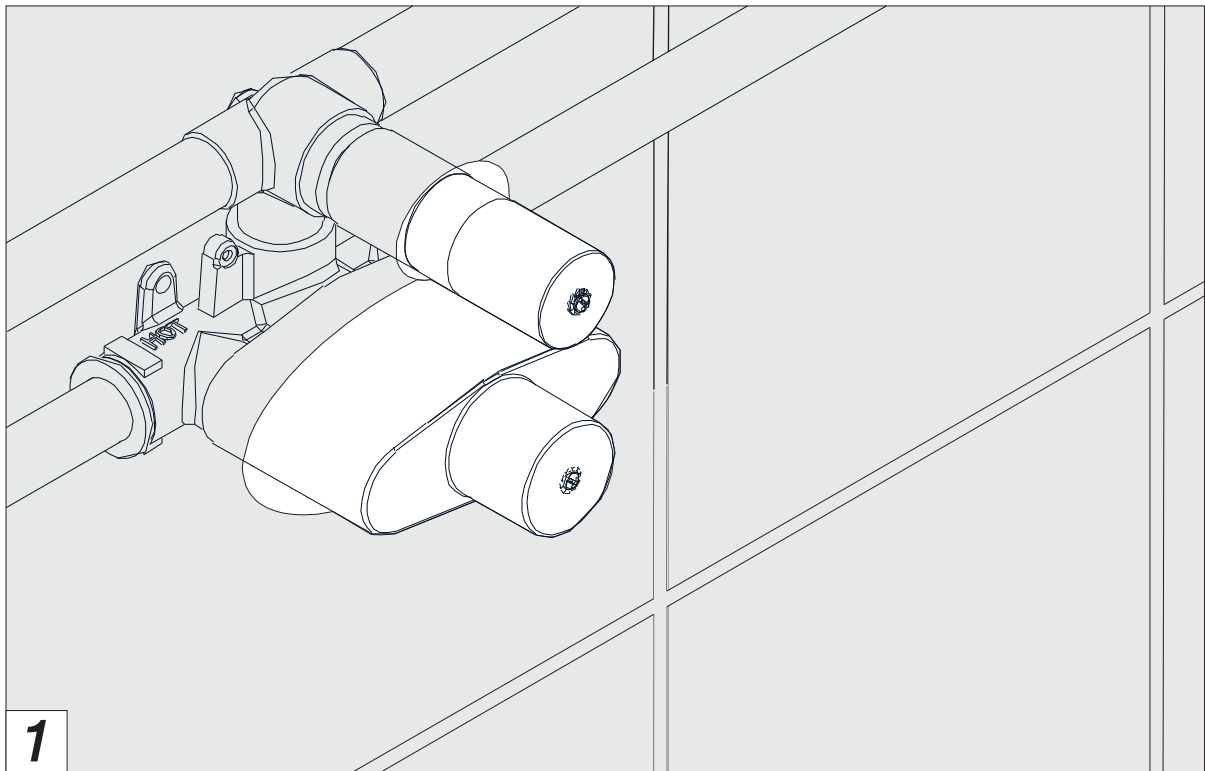


Measures



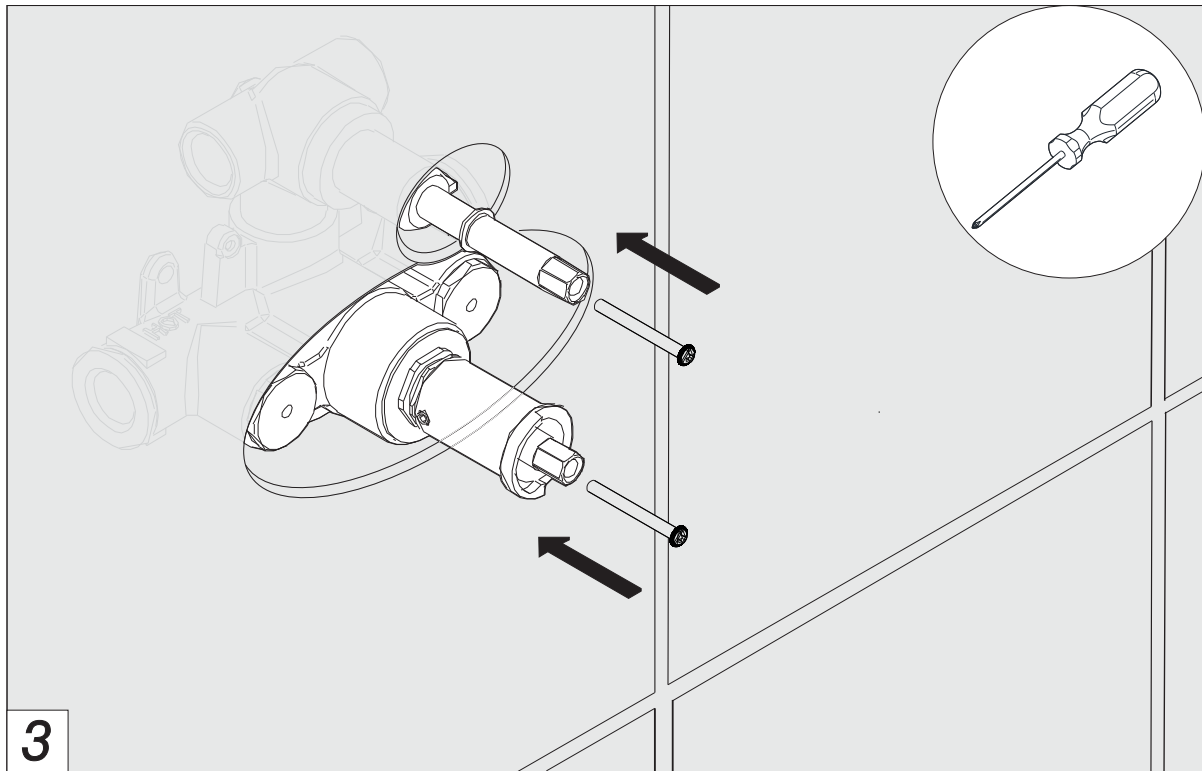
Installation

Remove the protection.



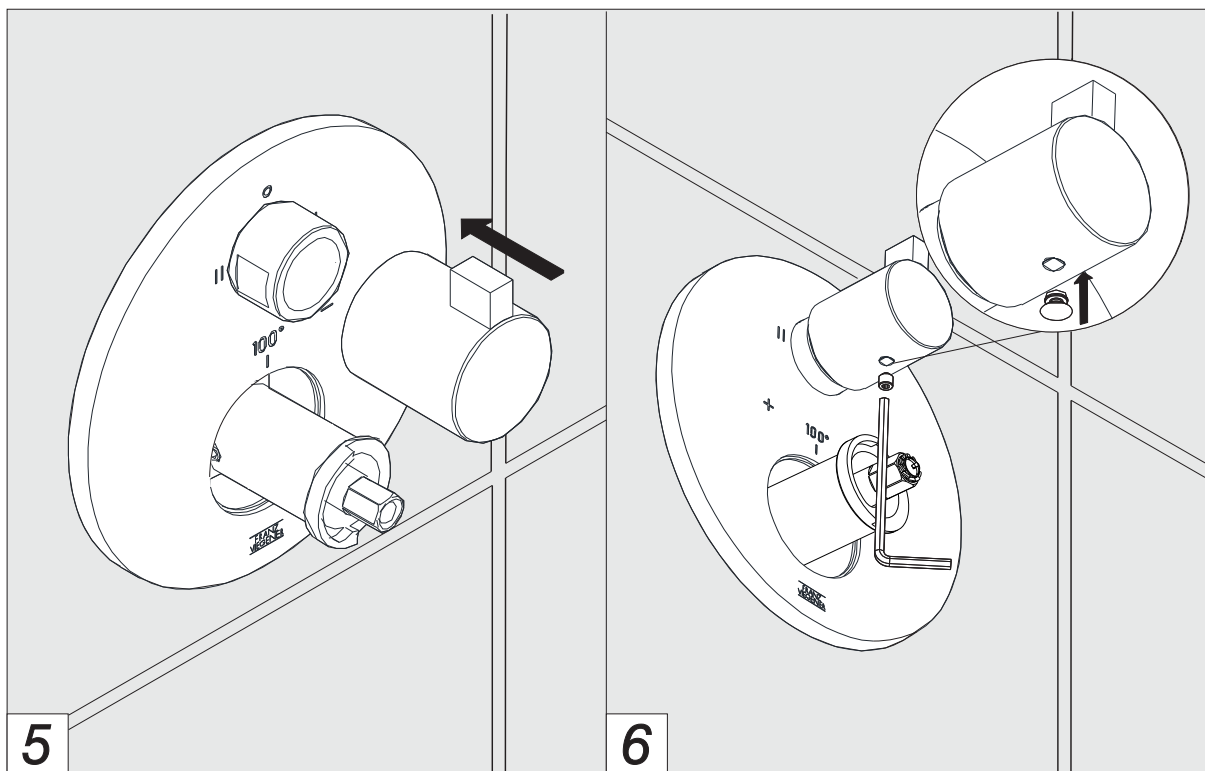
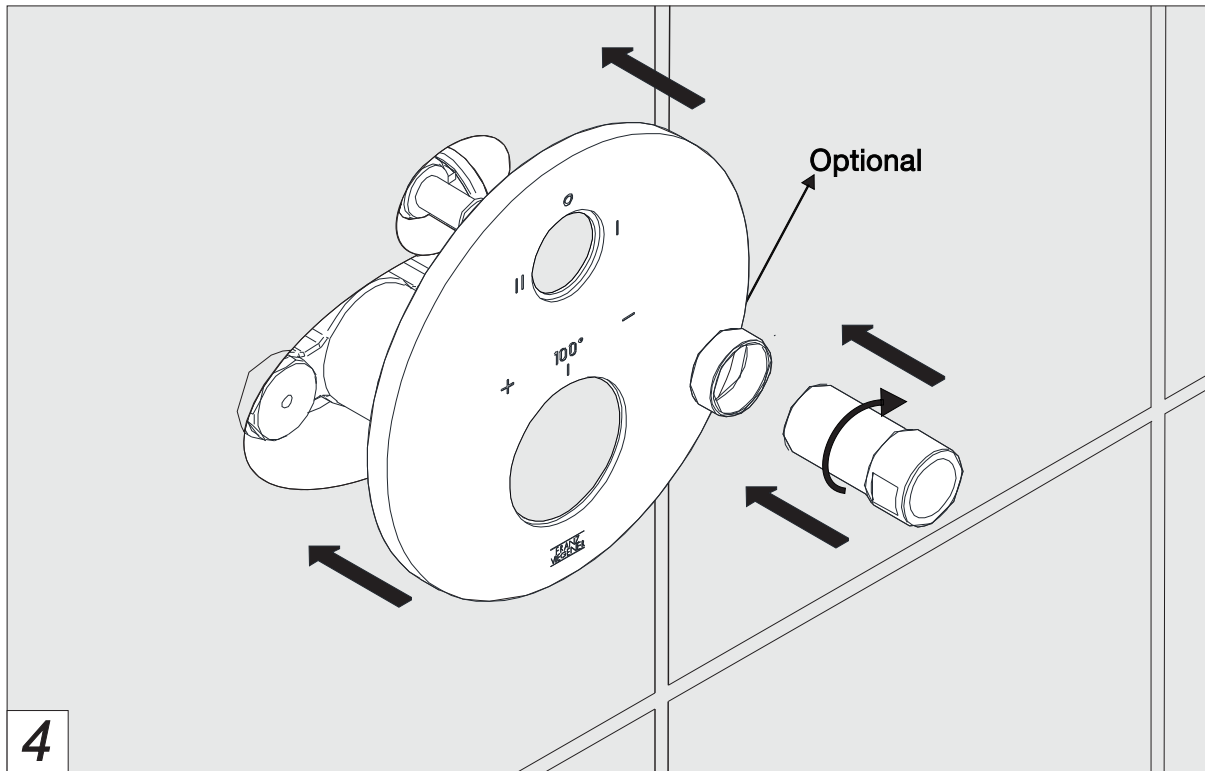
Installation

Remove the protection.



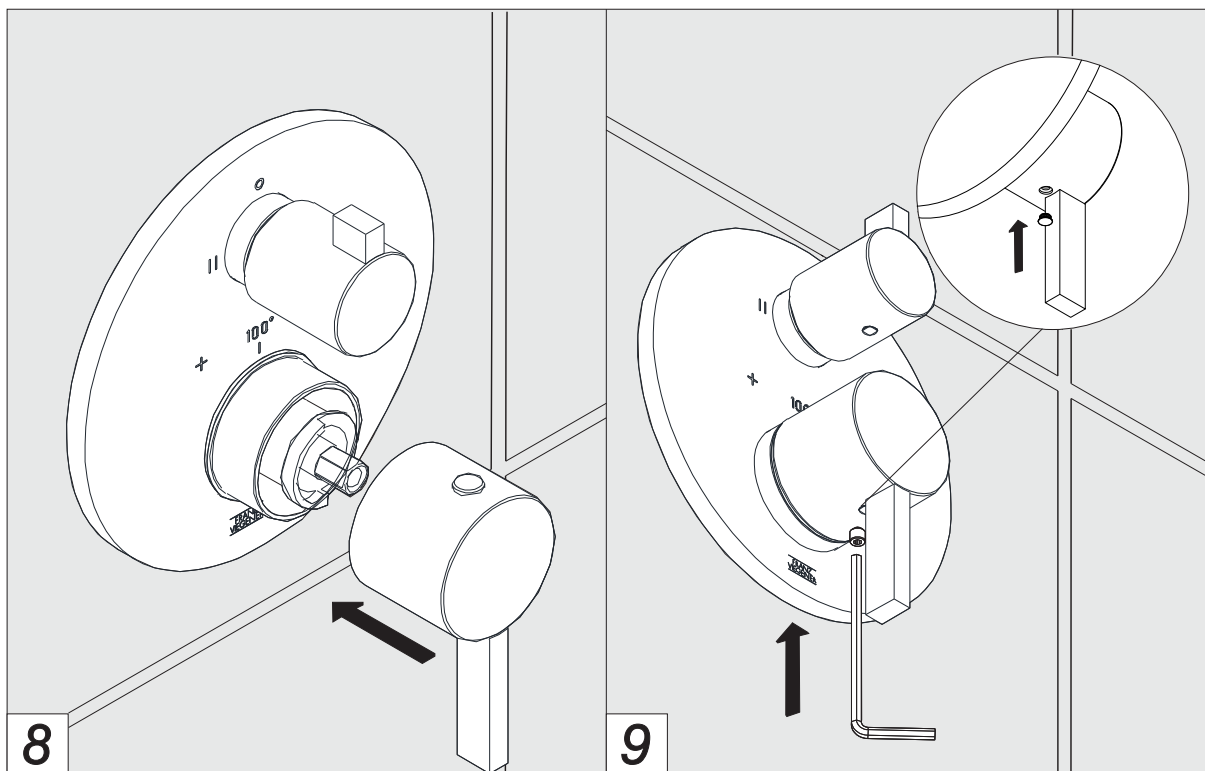
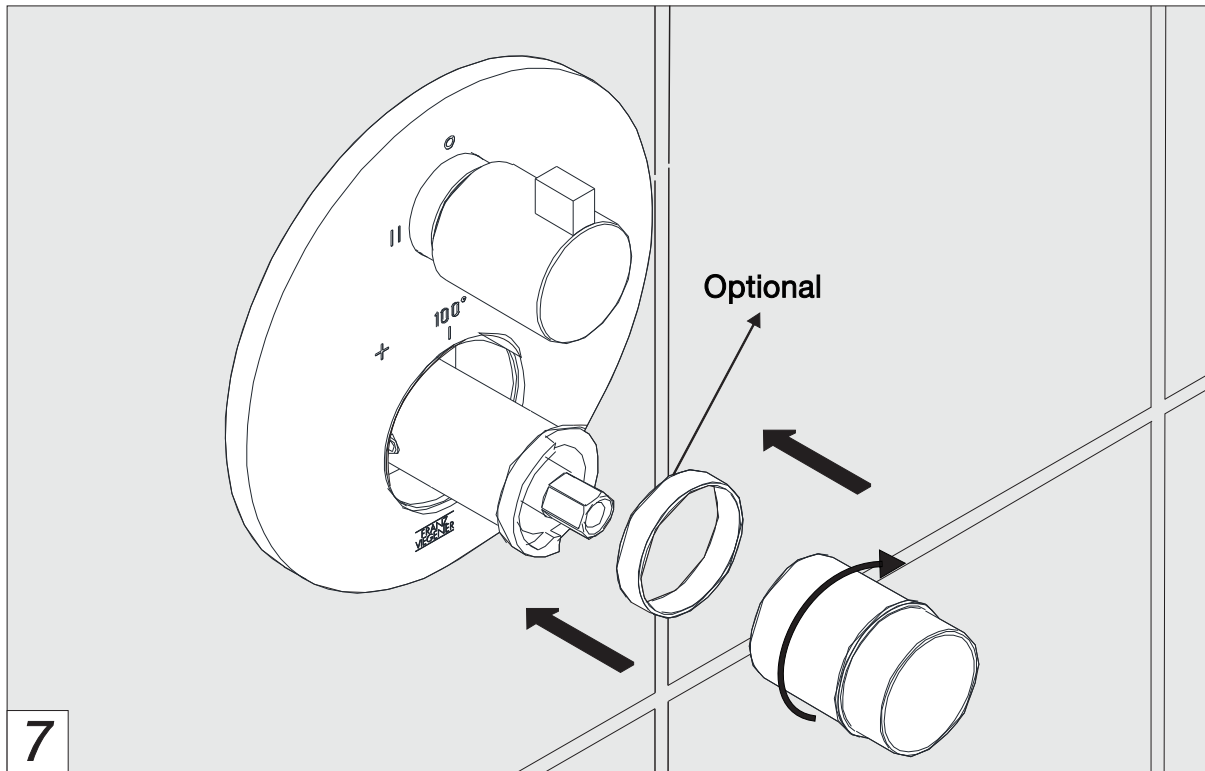
Installation

Thermostatic trim installation.



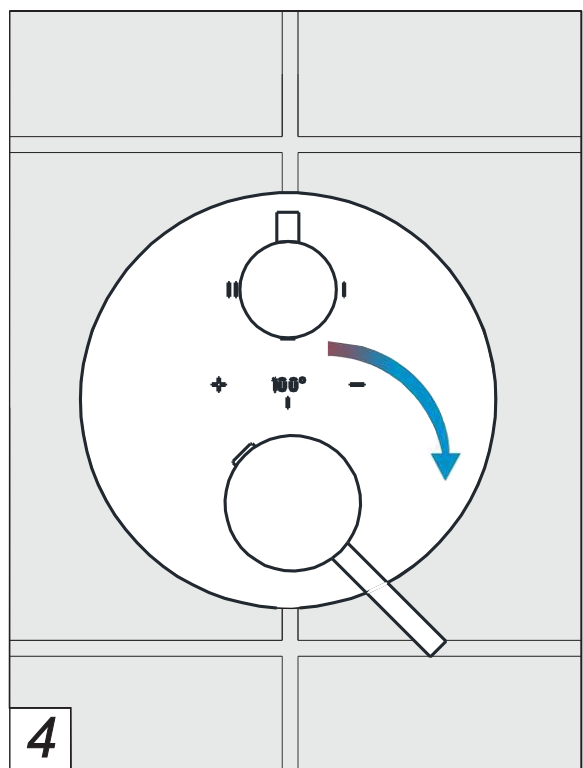
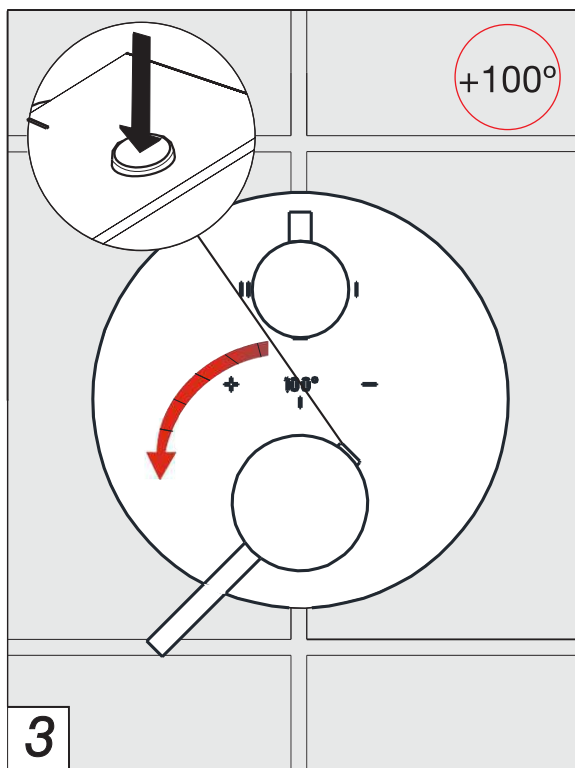
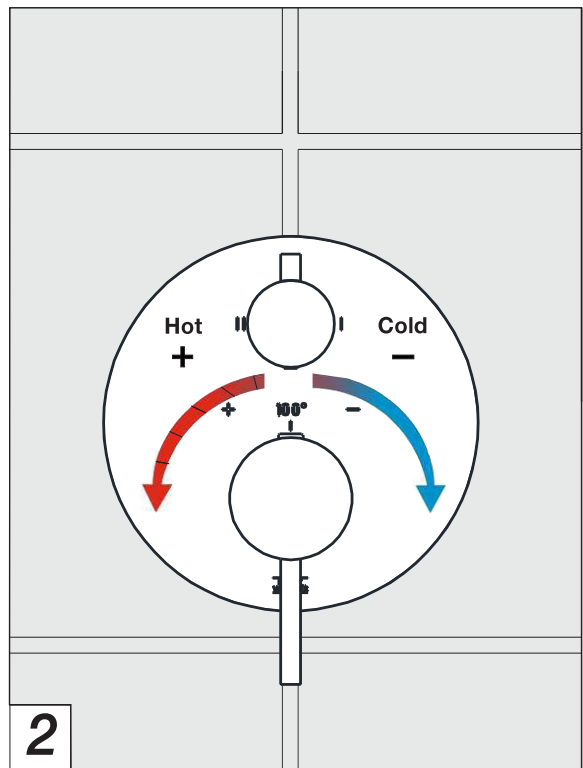
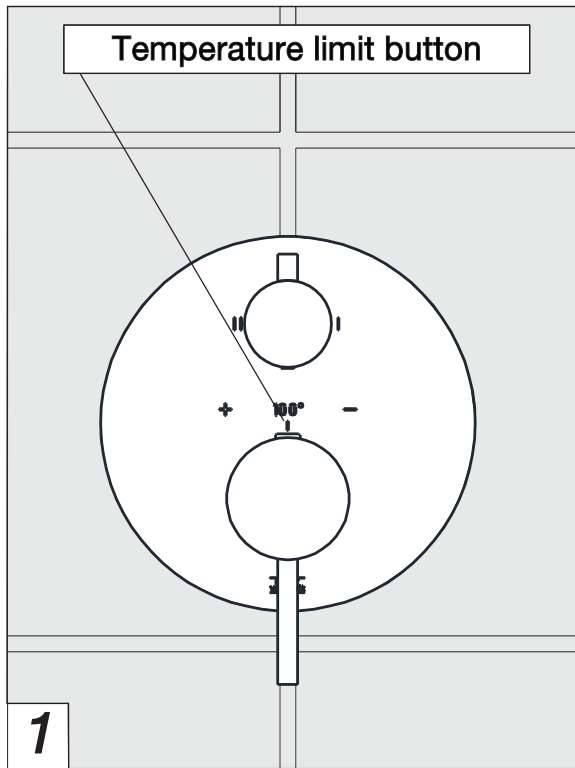
Installation

Thermostatic trim installation.



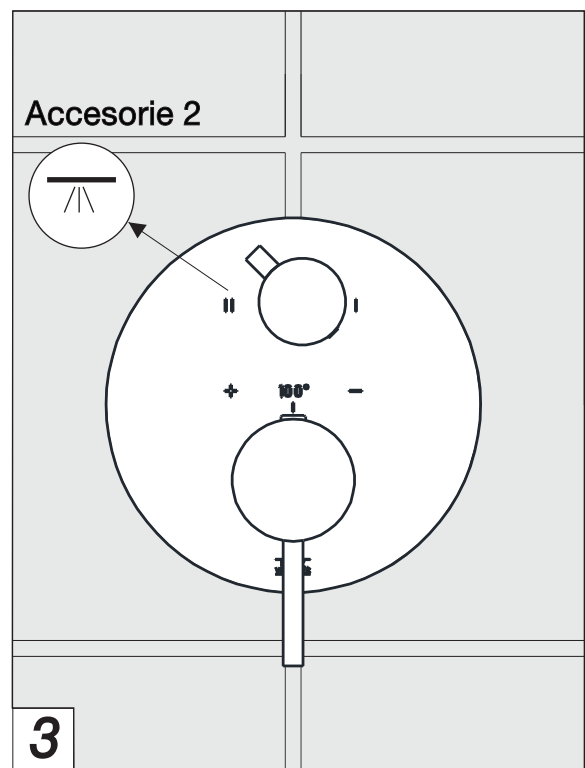
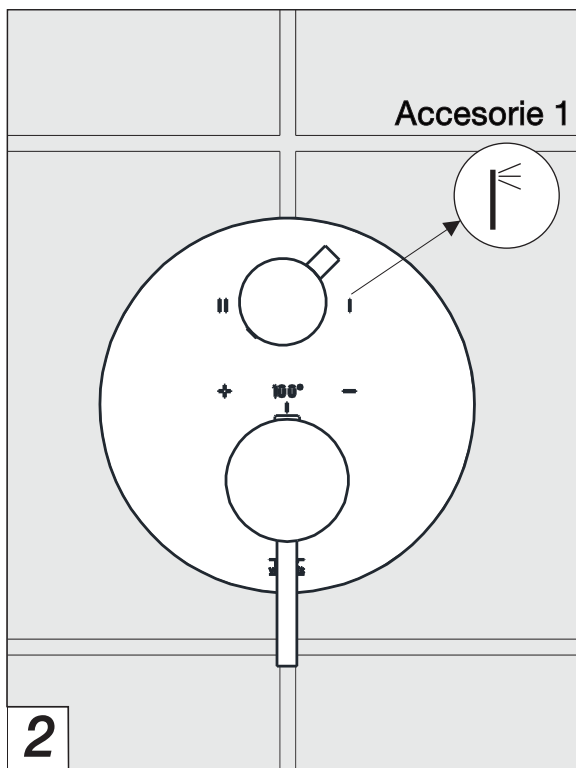
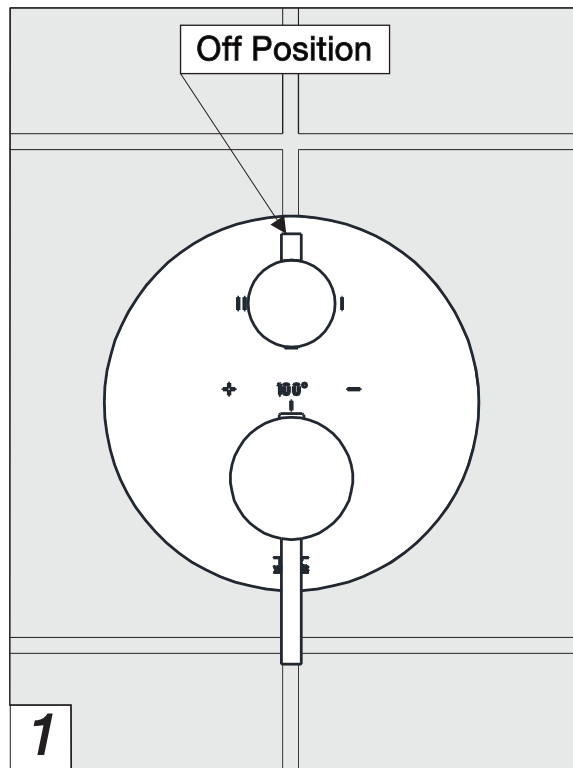
Installation

Temperature limit button.



Installation

Accessories Handle.

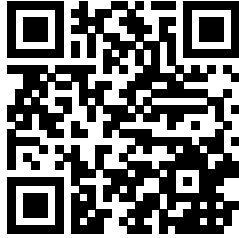


Installation

Finished installation.



WARRANTY: For more information please visit <https://franzviegener.com/warranty/>



FRANZ VIEGENER Customer Service Department

Phone 847-244-3837 - info@franzviegener.com.

4000 Porett Drive - Gurnee, IL, 60031-USA.

Follow us on social media!



Scan the code
to get more
information
about this line.

www.franzviegener.com

FRANZ VIEGENER reserve the right to make revisions without notice in the design of faucets and bathroom accessories or in packaging.

FO-FV227/J2.0 / July 2023