

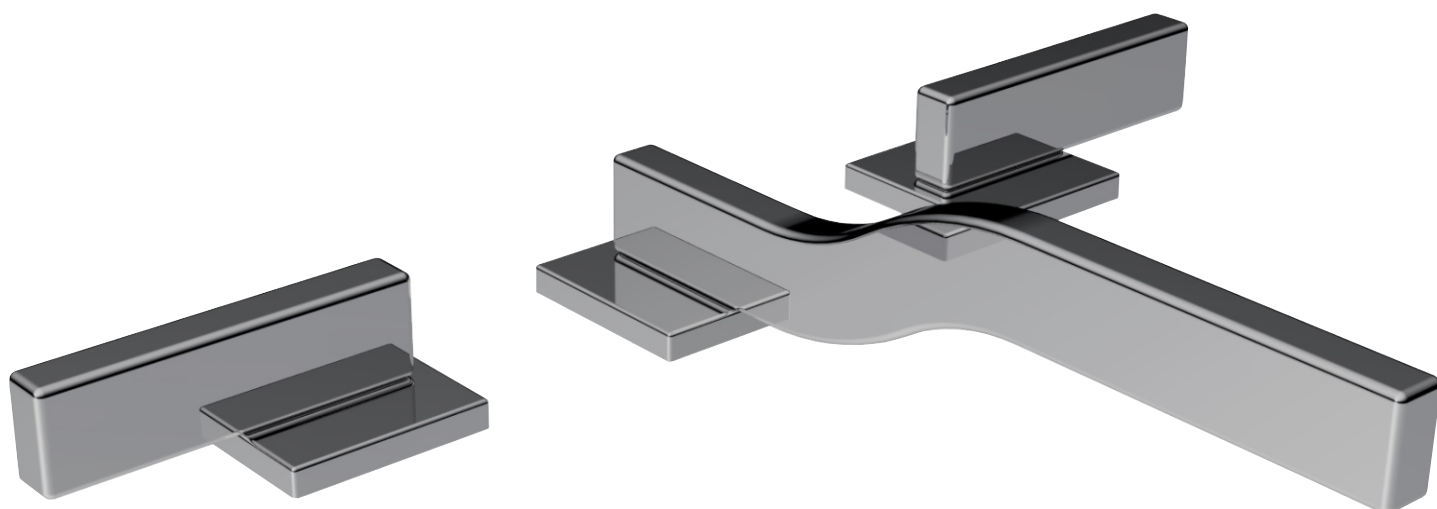
FRANZ VIEGENER

---

***Shoreline***

---

*i n s t a l l a t i o n*



FV210/K2  
FV133/K2.0

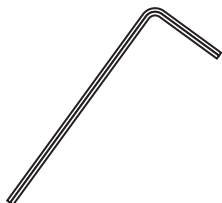
**CONGRATULATIONS !**

This product has been subjected to stringent tests for its quality, performance and finish. We guarantee years of trouble free operation. We thank you for your choice and above all for the trust you are placing in us. This trust is what motivates us to improve every day.

*Before connecting the faucet to the water supply, flush the tubing thoroughly to eliminate any residue.*

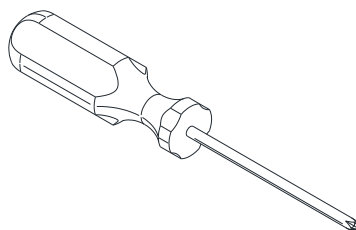
**Required installation tools.**

**Provided.**

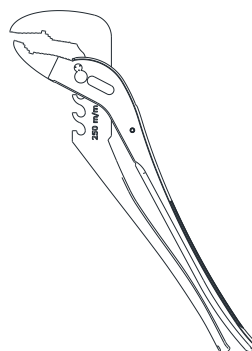


**Allen Wrench.**

**Not provided.**



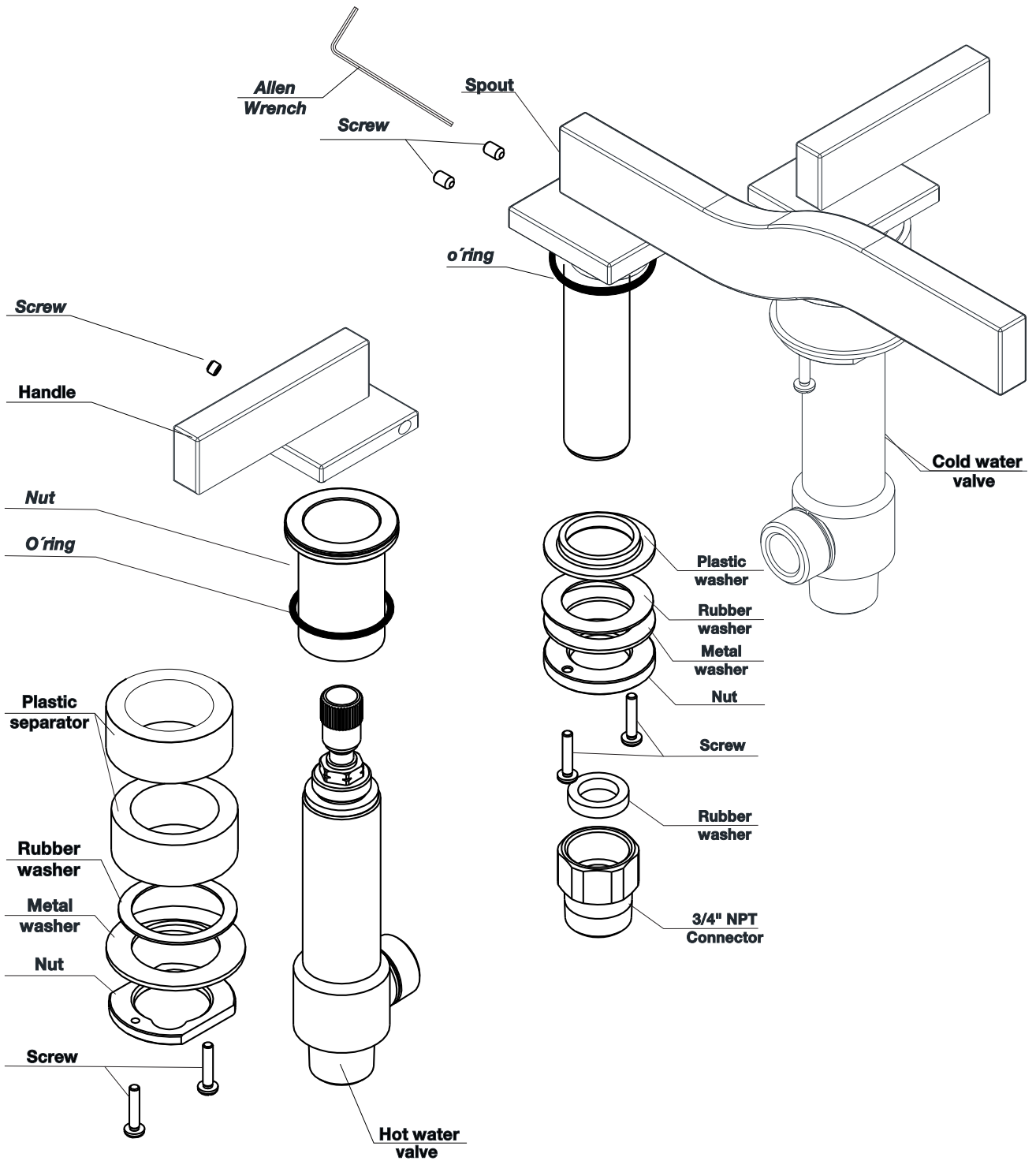
**Phillips Screwdriver**



**Channellock.**

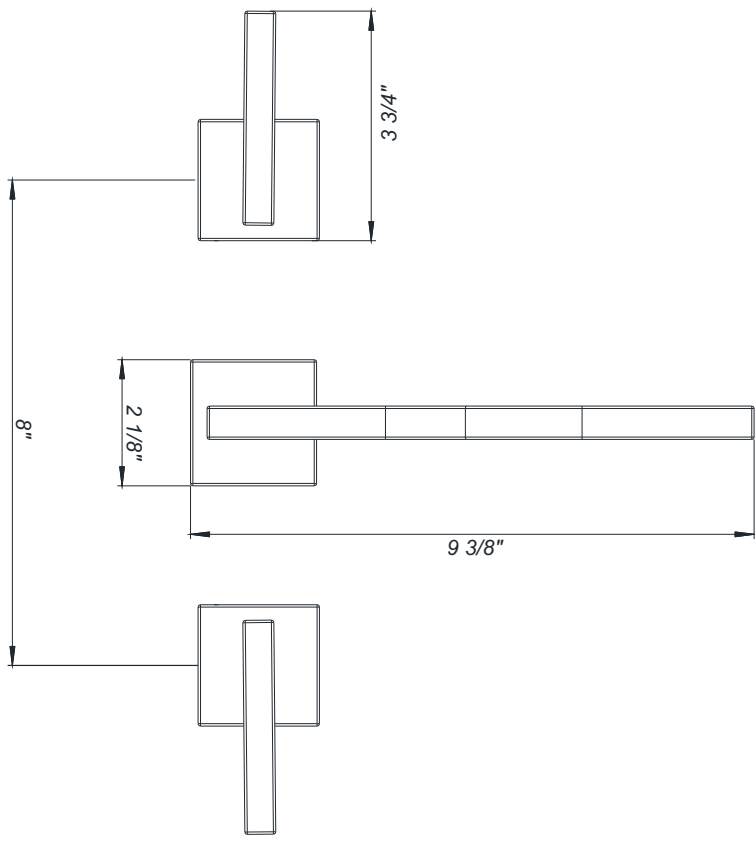
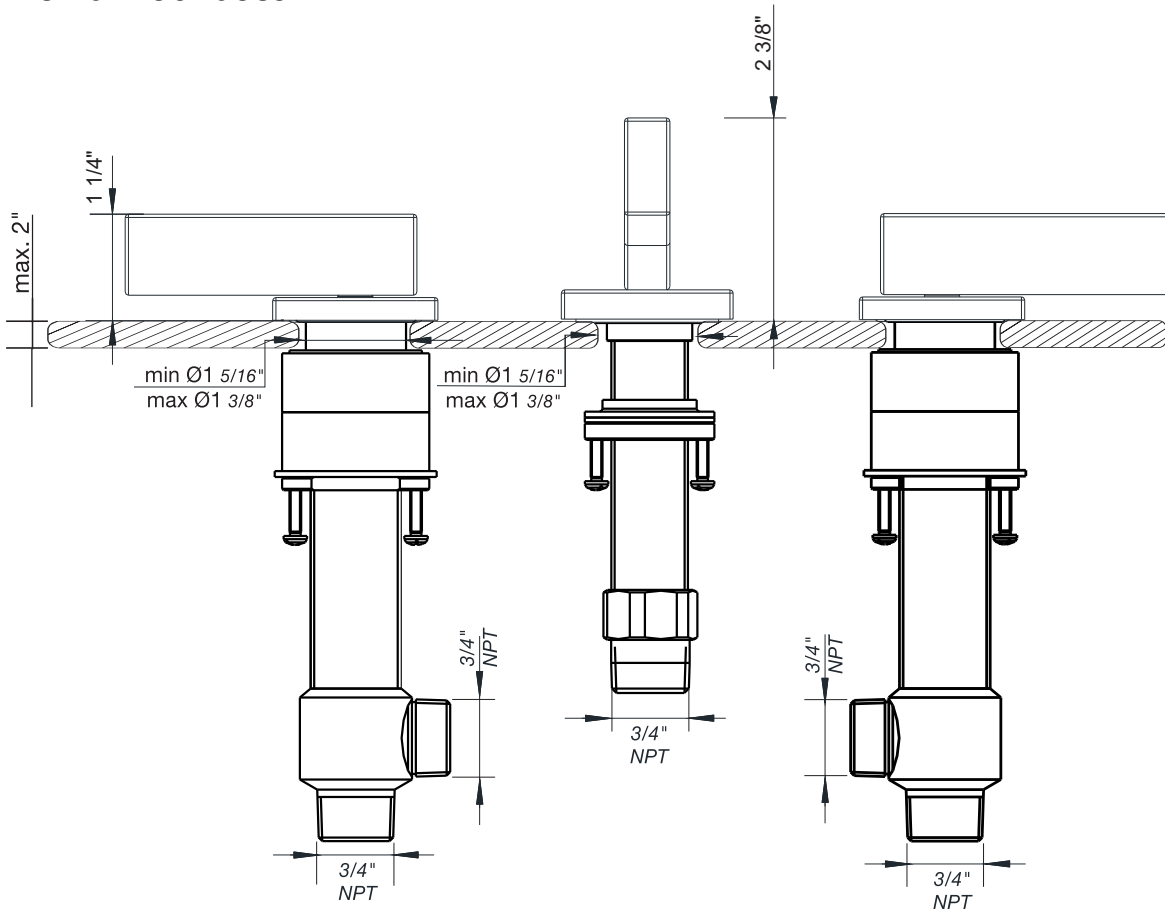
**FV210/K2**

Roman tub faucet

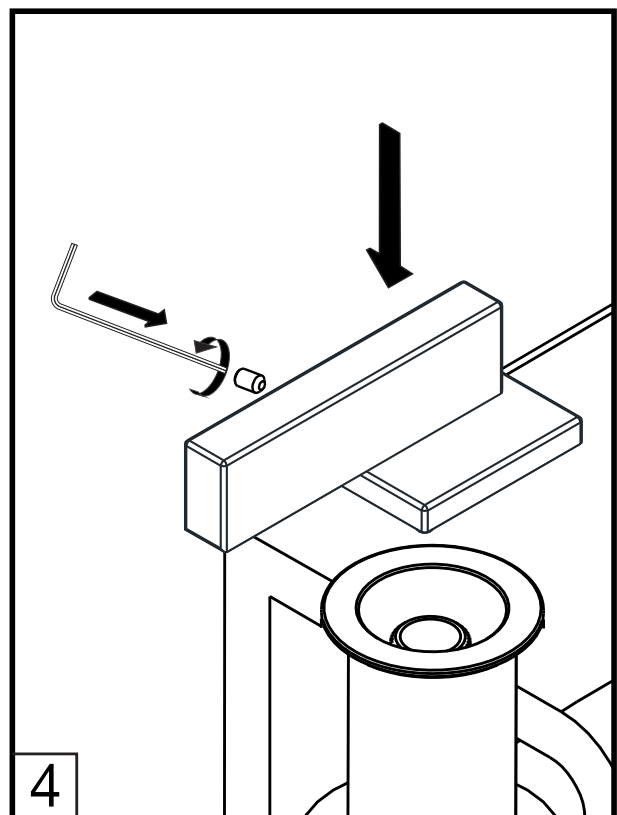
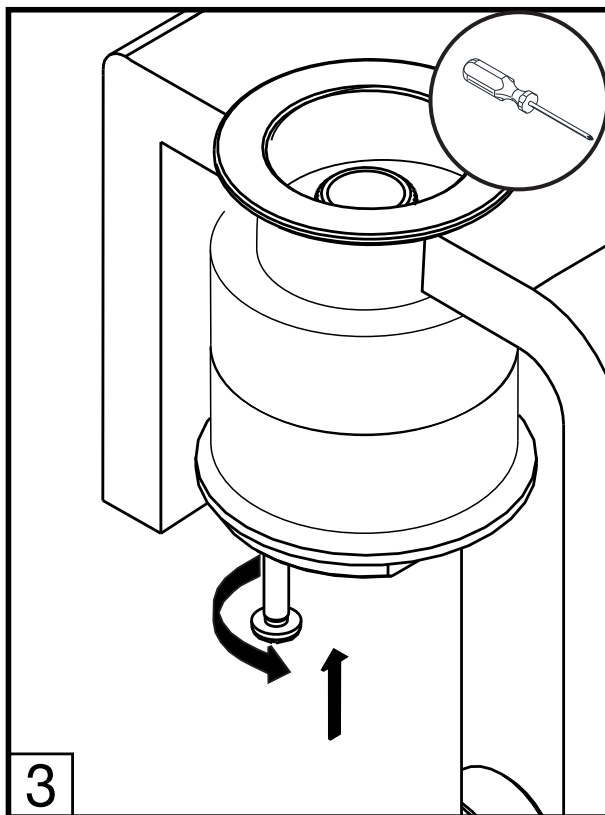
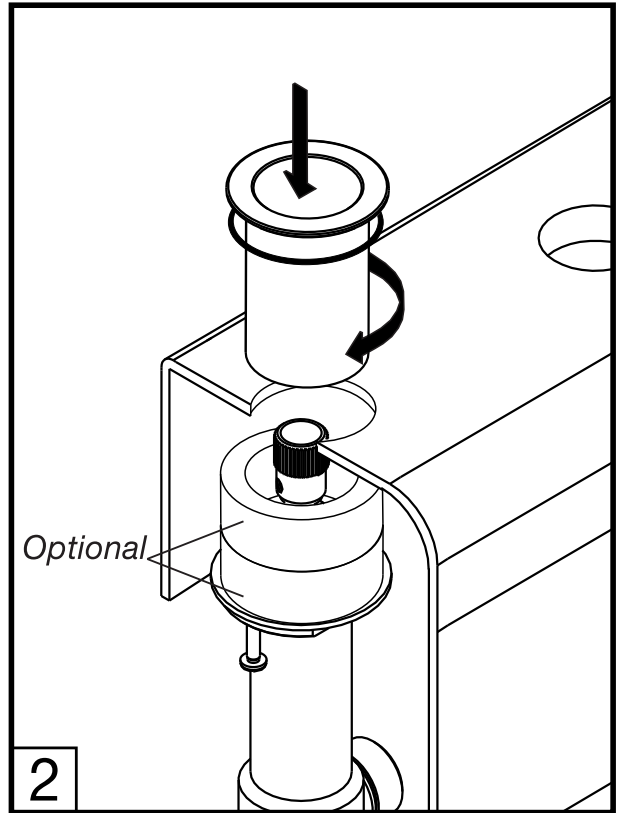
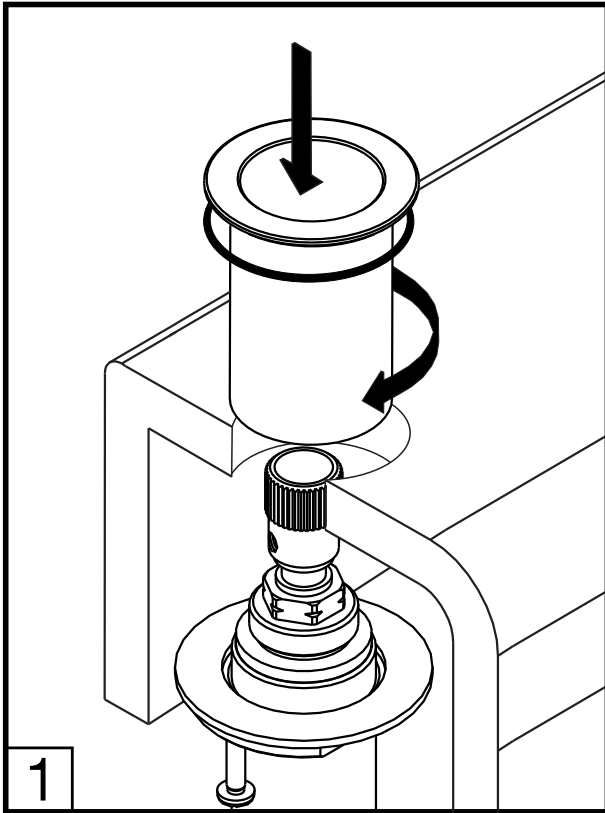


**FV210/K2**

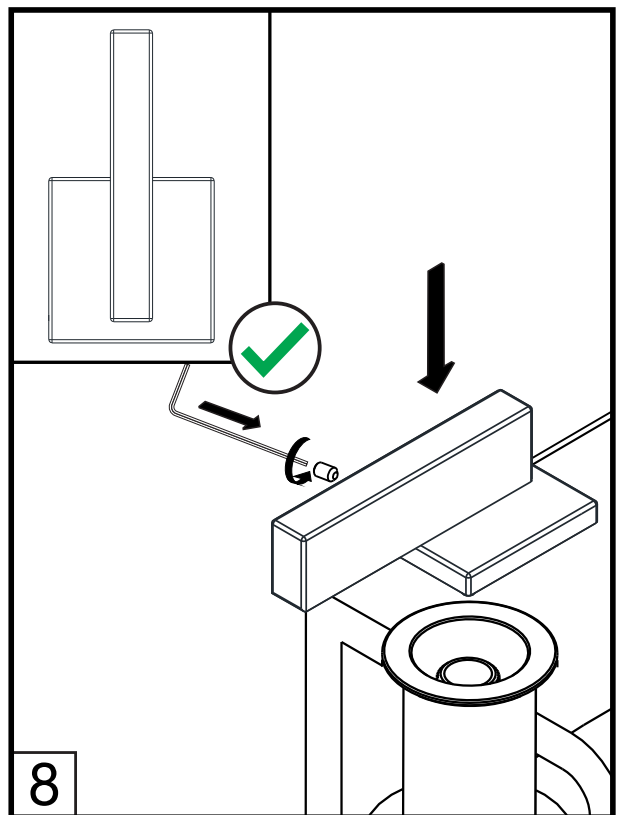
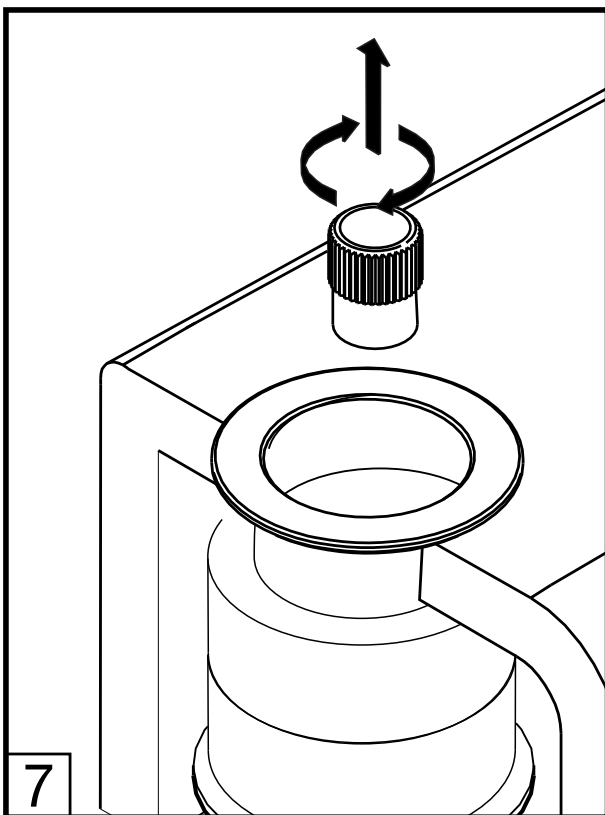
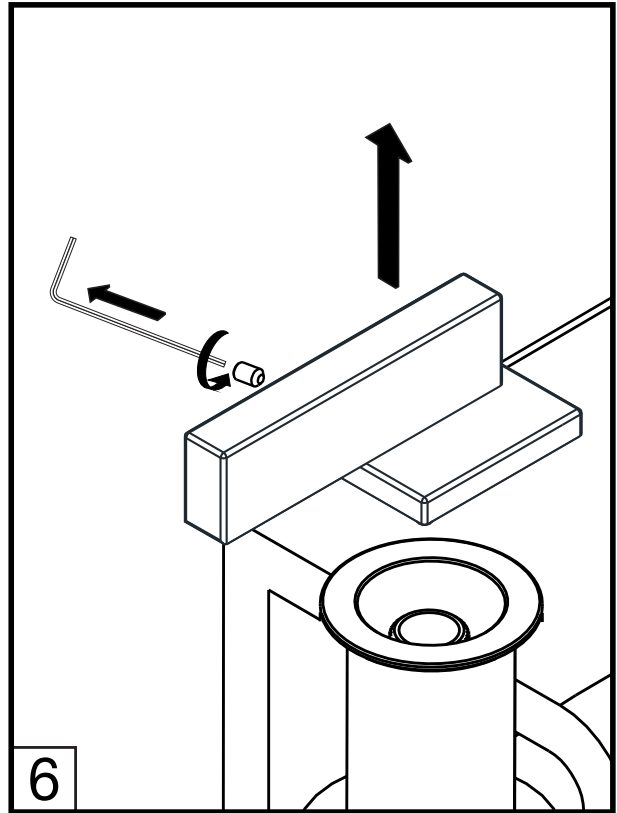
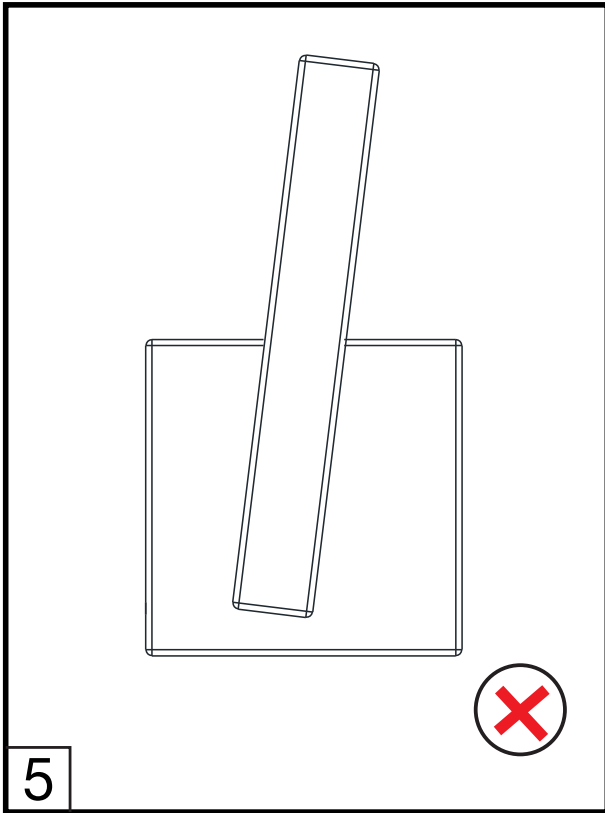
Roman tub faucet



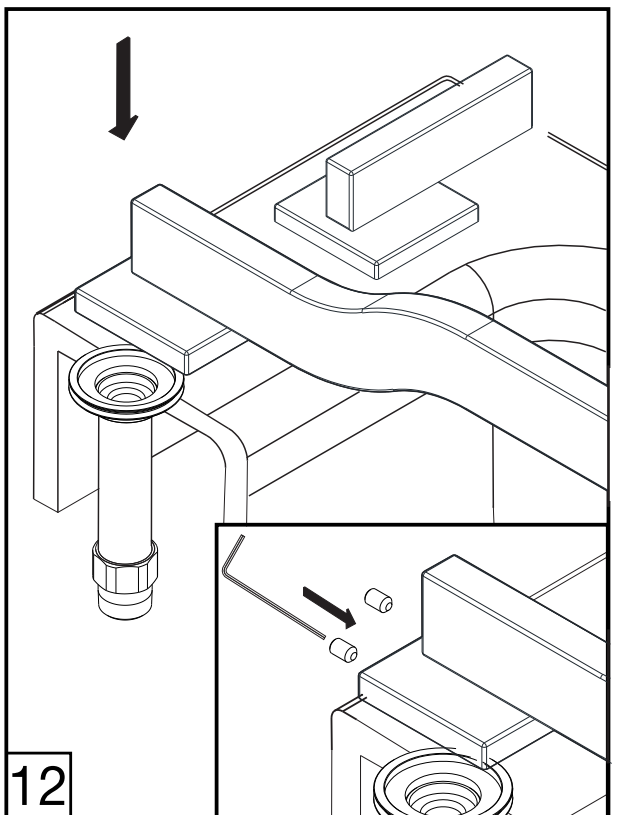
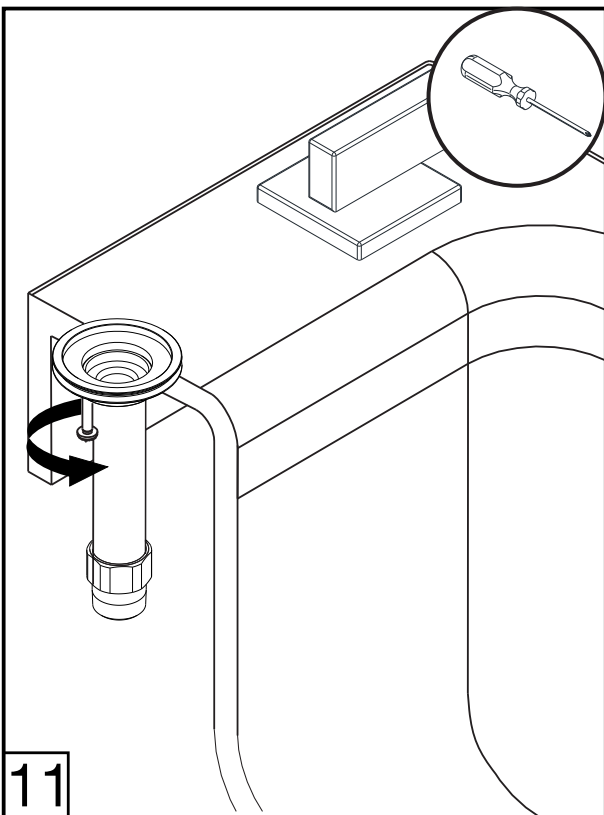
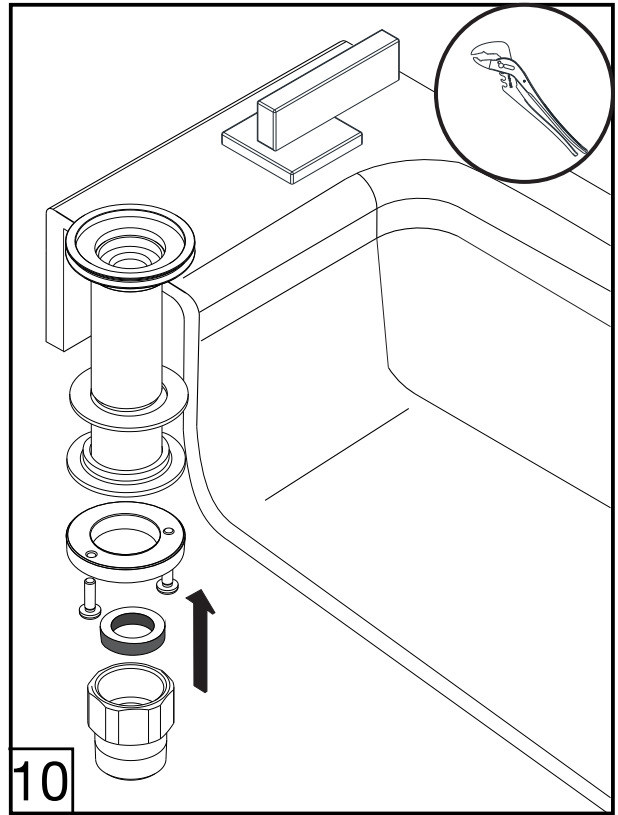
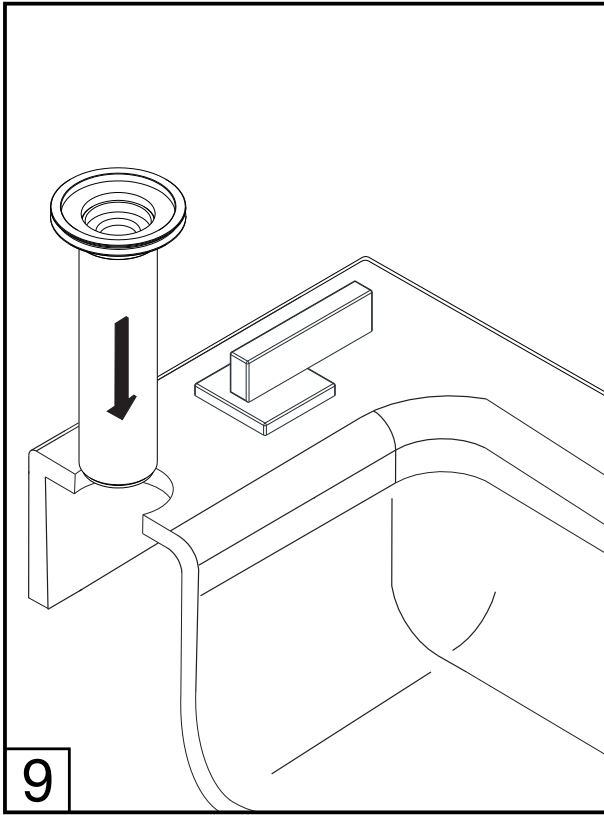
Handle installation.

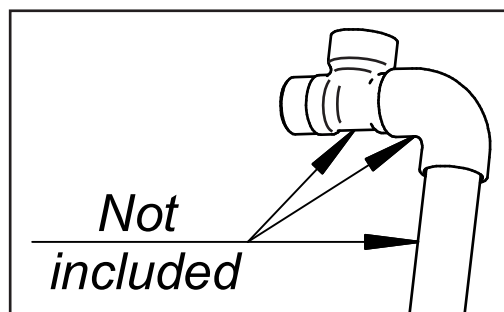
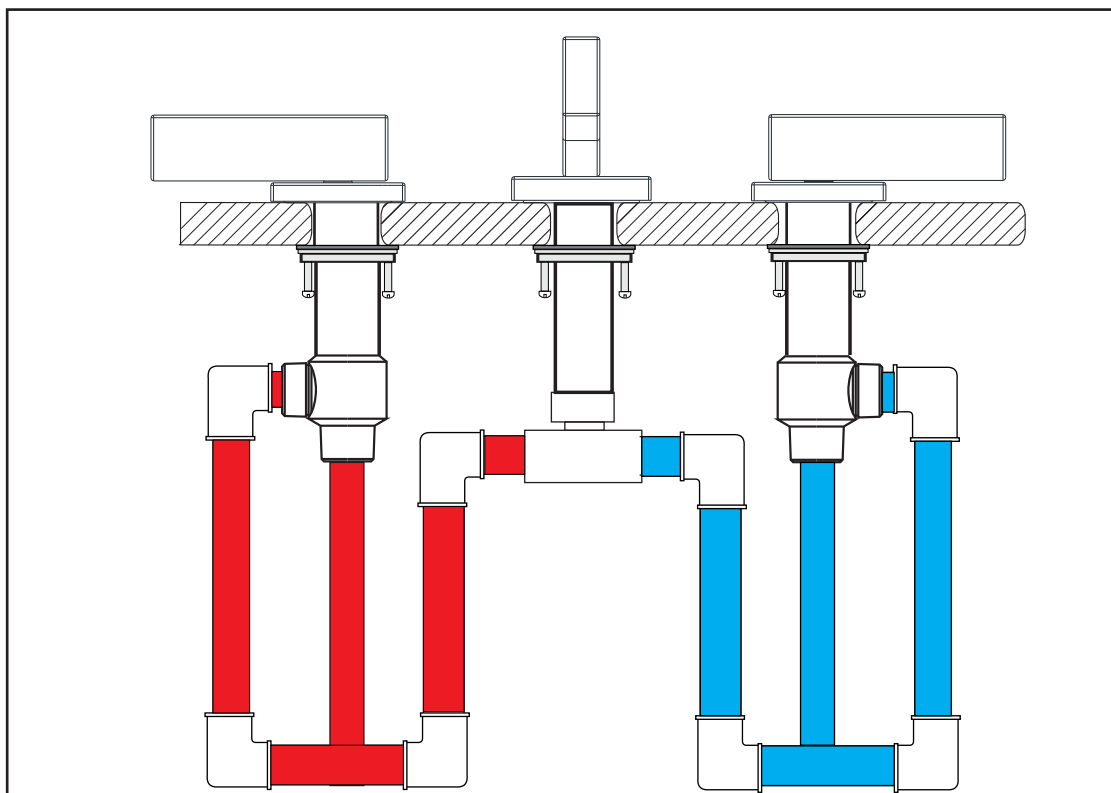


Handle installation.

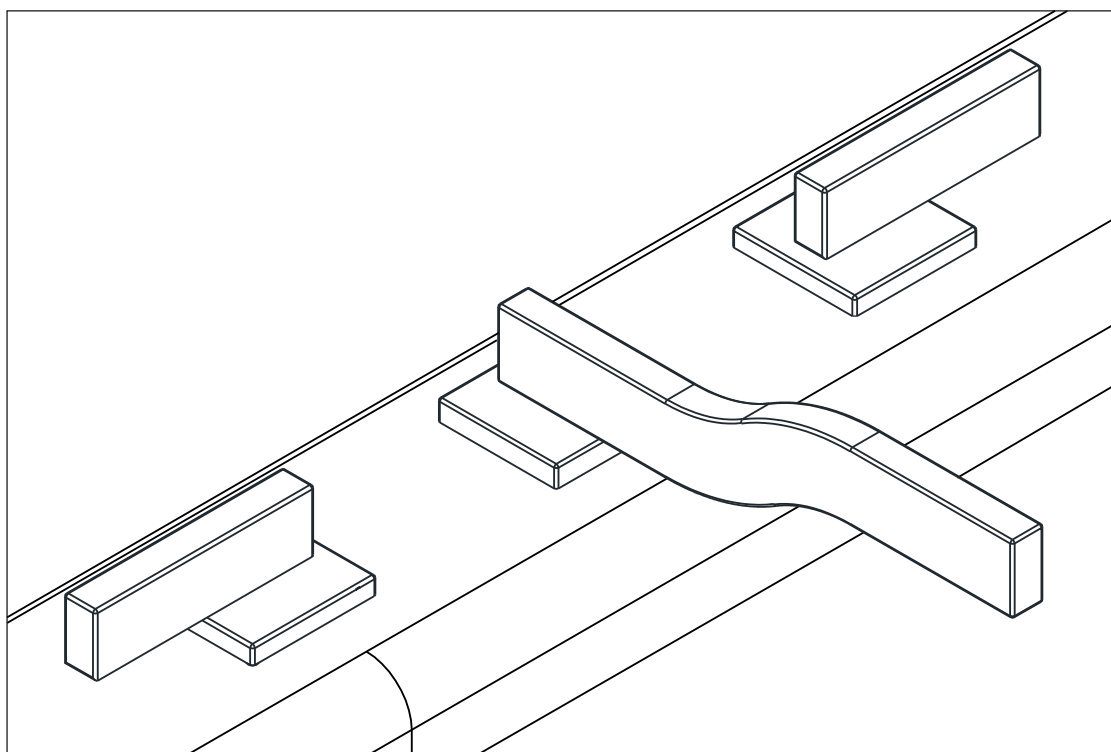


## Spout installation





**Finished installation**

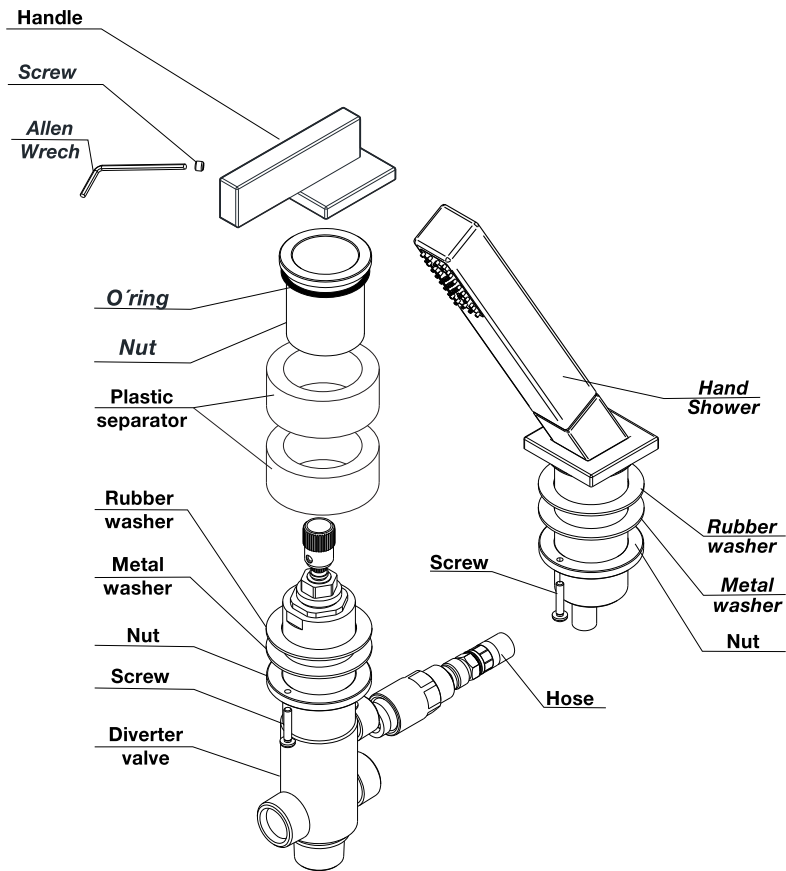




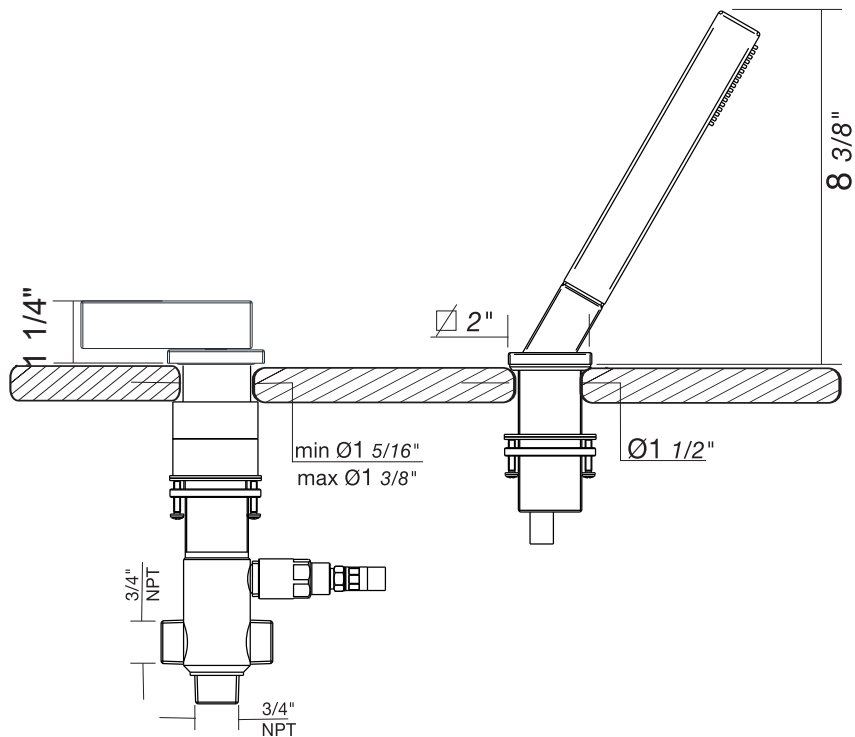
# Exploded view

Line K2

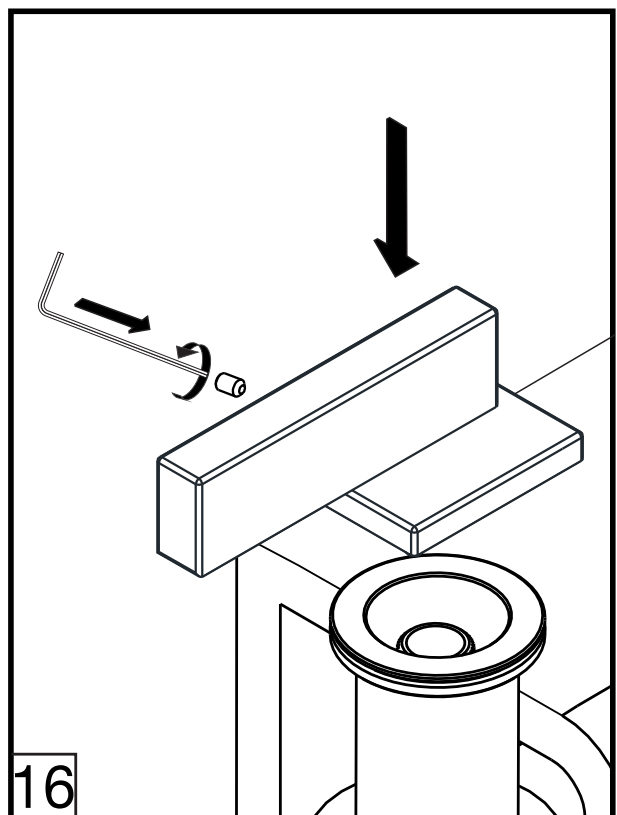
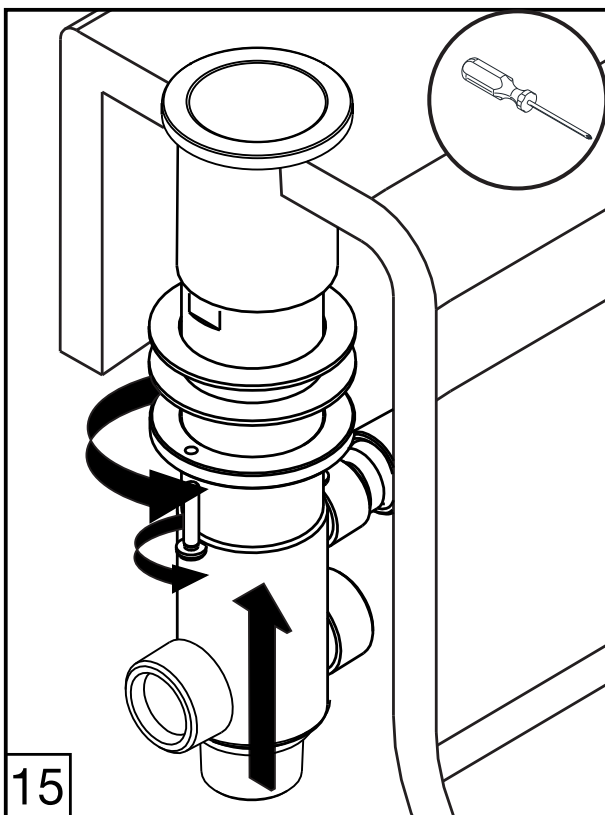
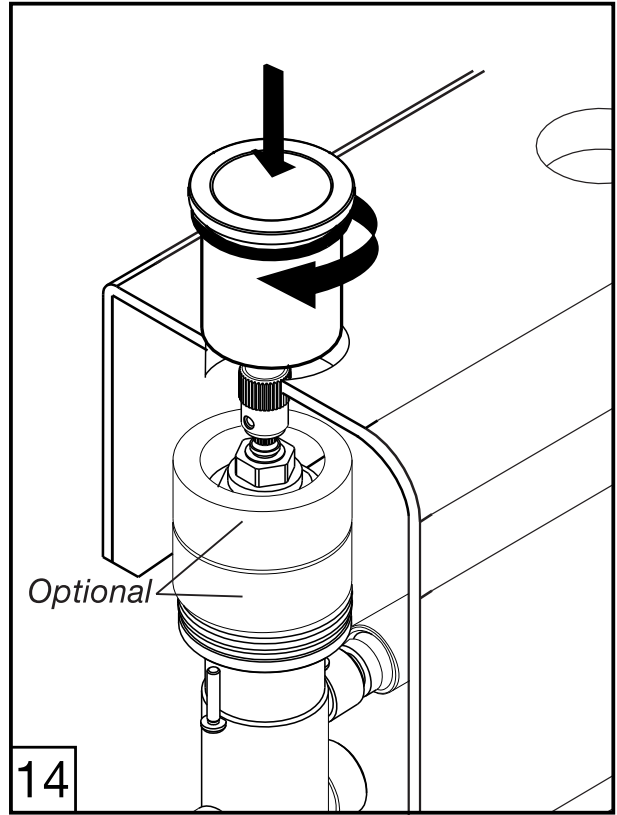
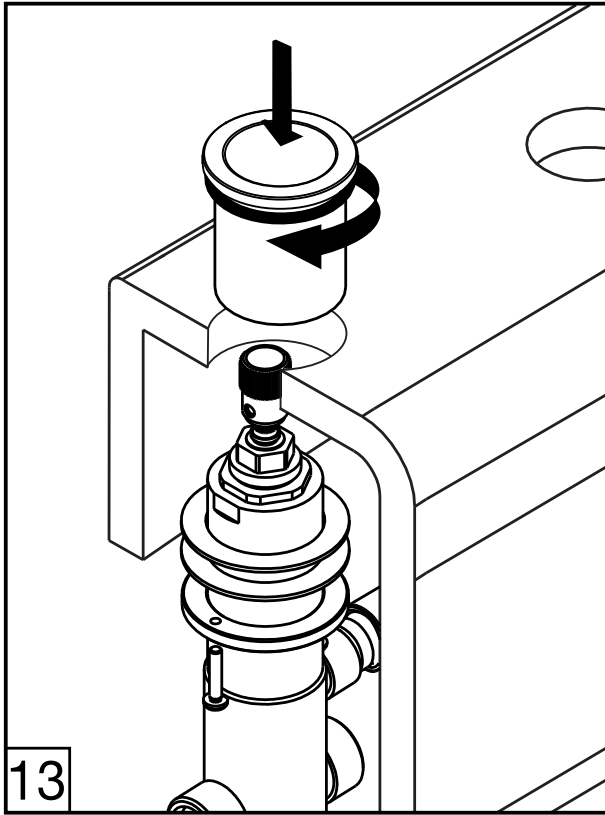
**FV133/K2.0**  
Hand shower, diverter valve  
with complete handle.



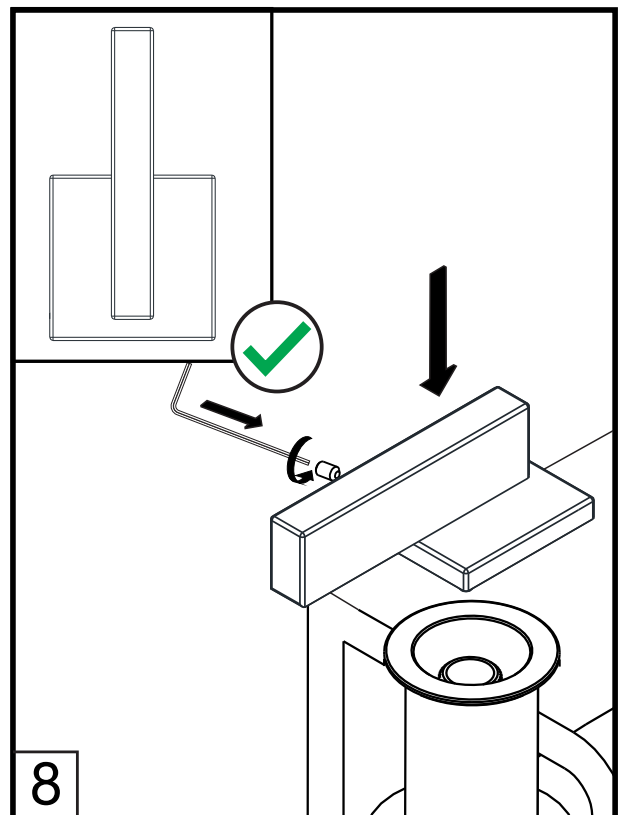
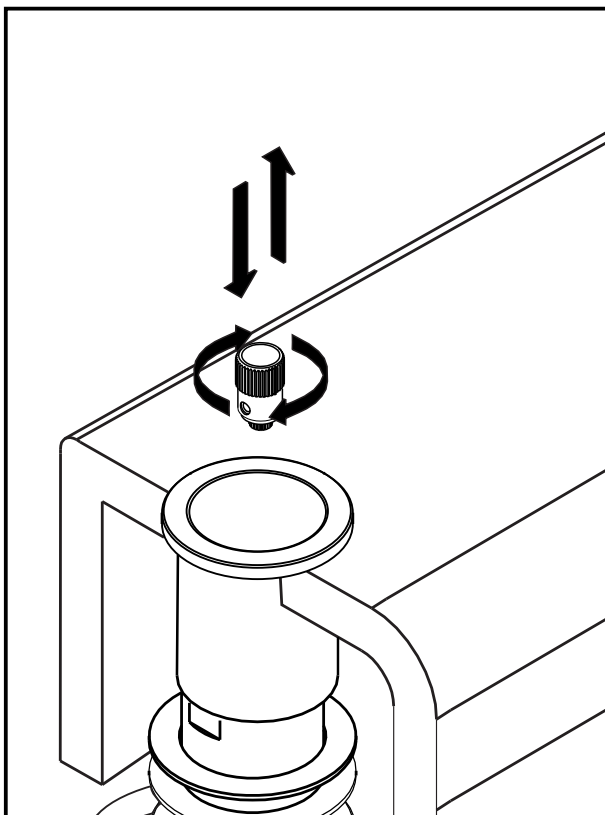
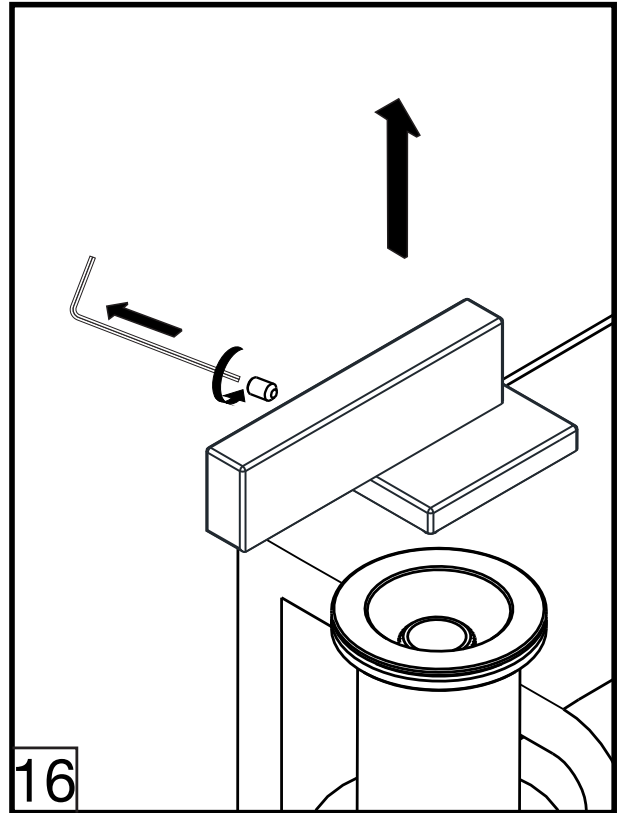
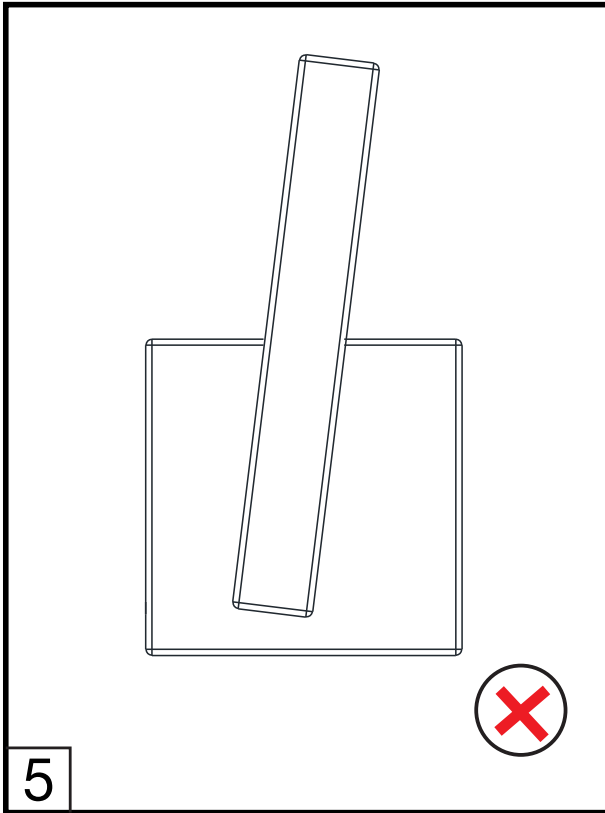
# Measures



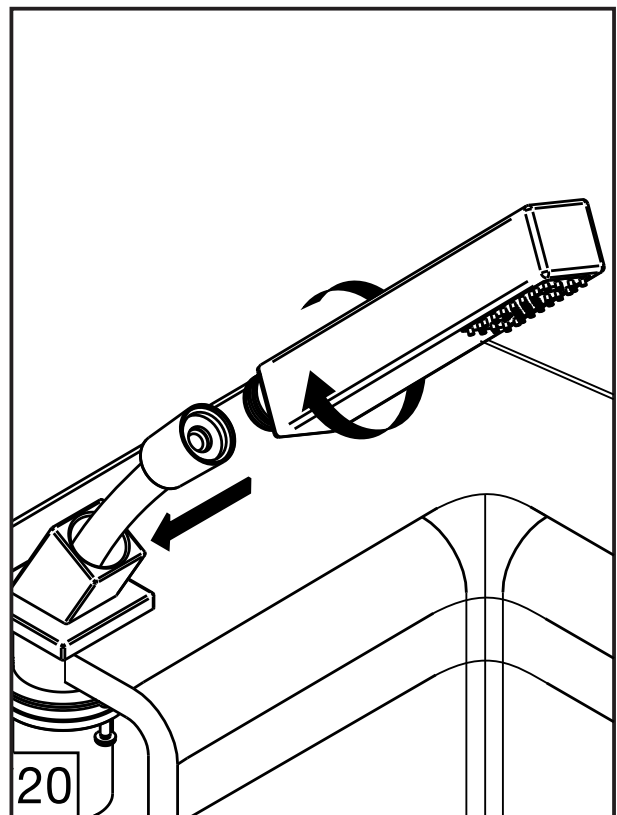
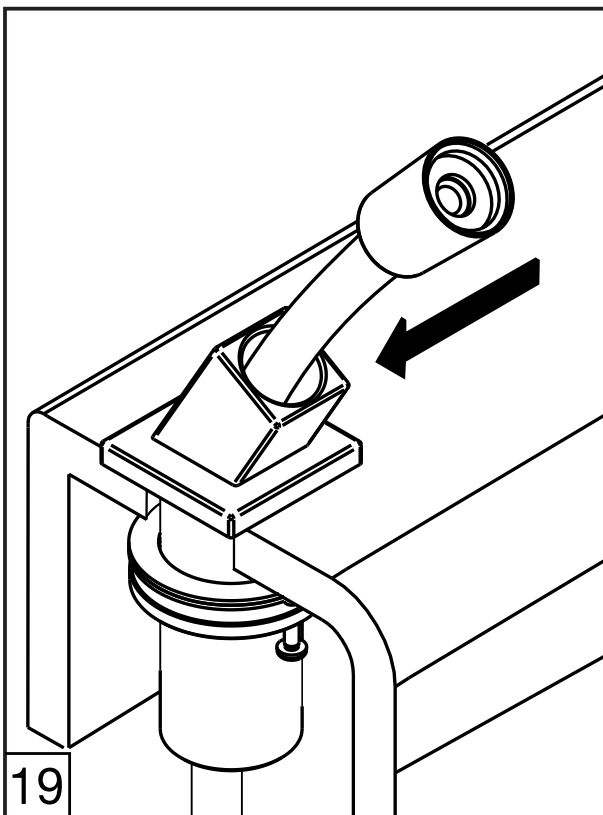
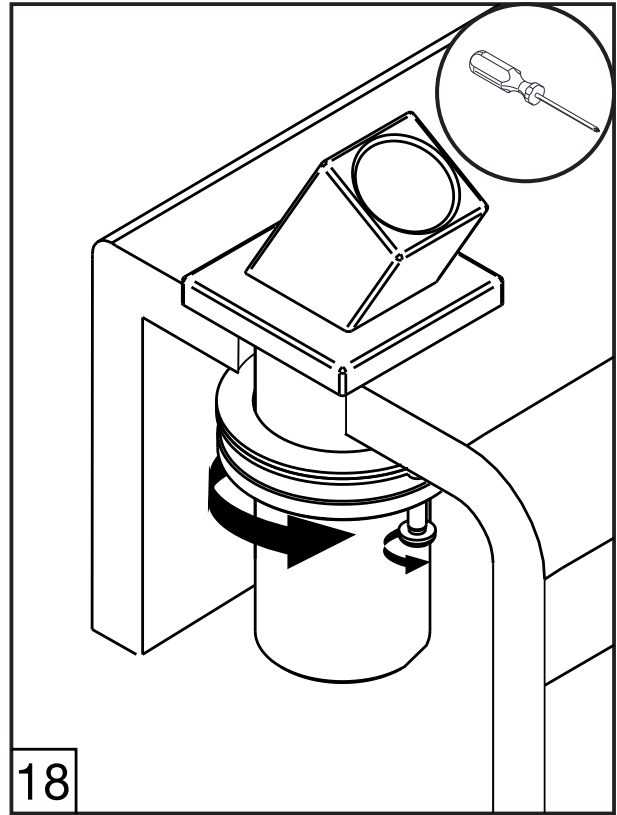
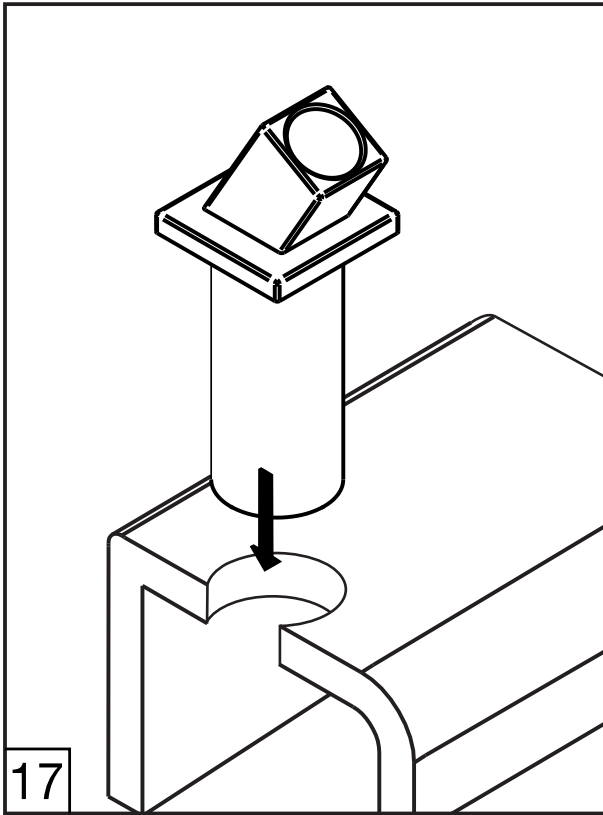
## Valve and handle installation

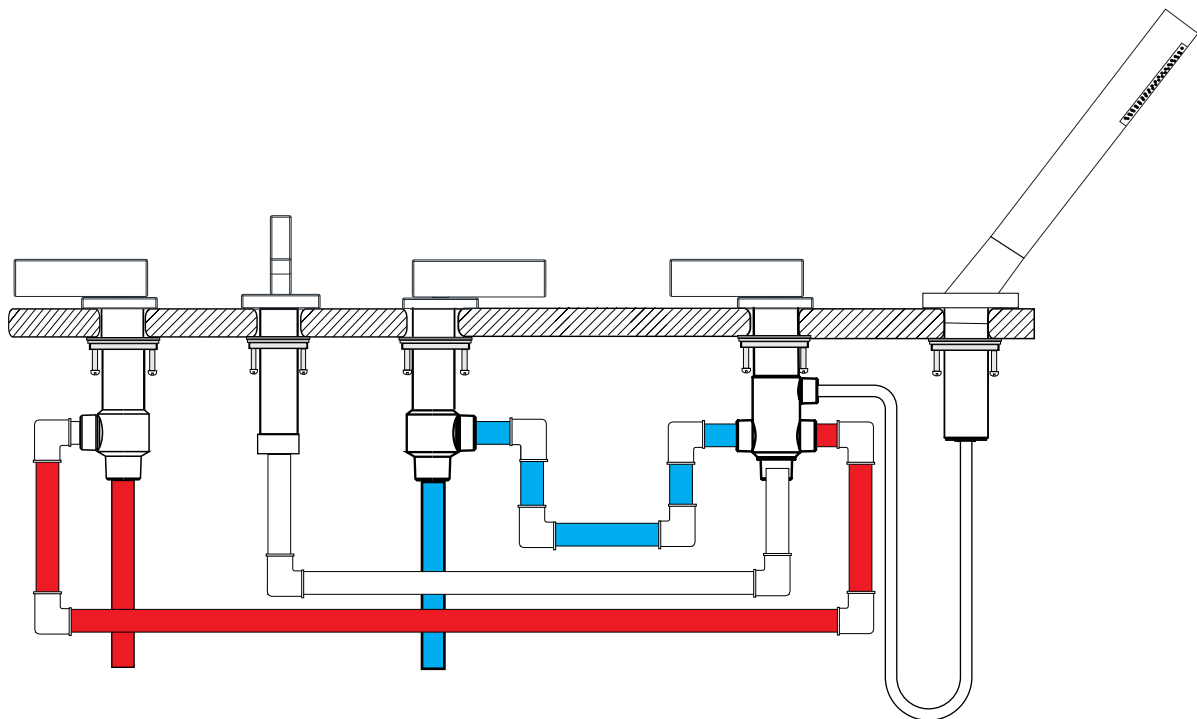
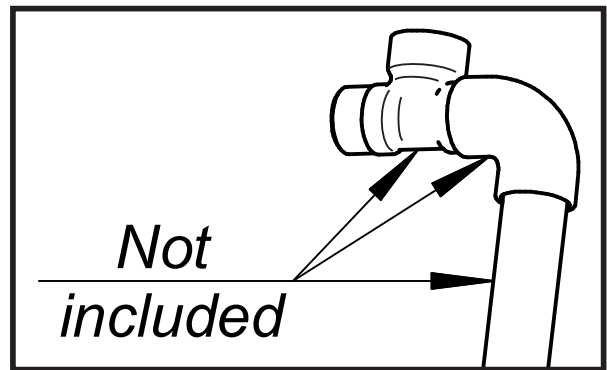
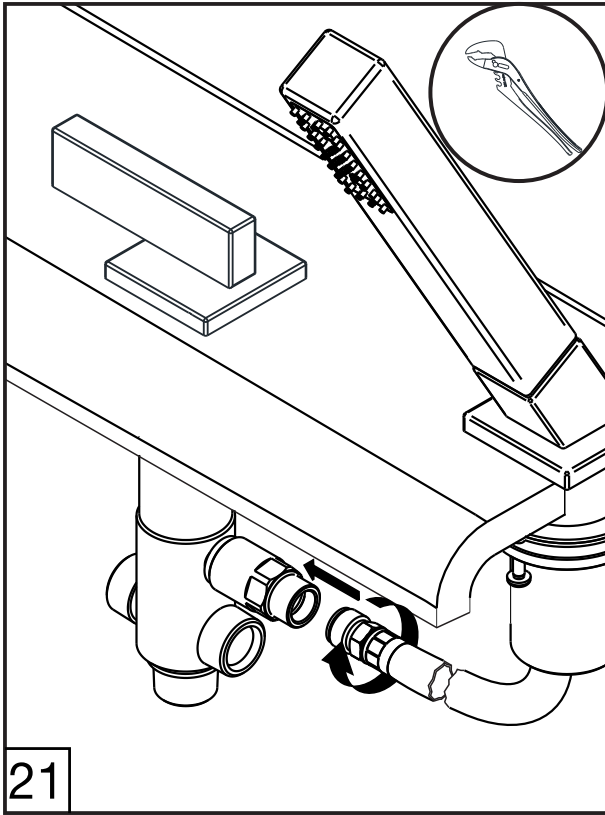


## Valve and handle installation



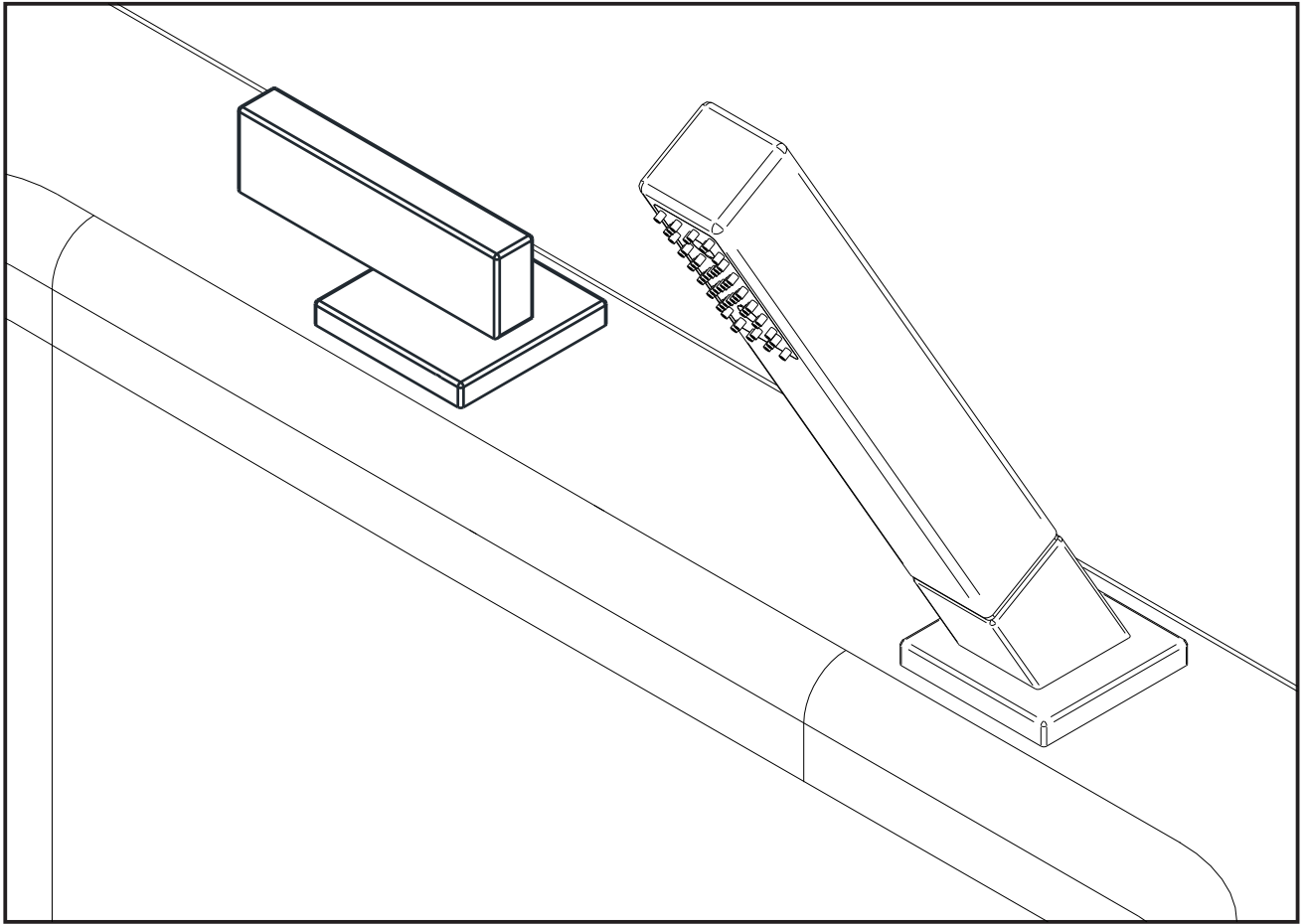
## Handle shower installation



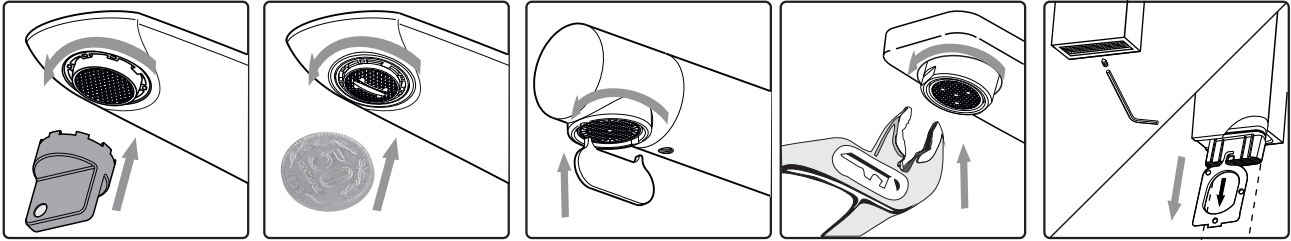




*Finished installation*



## Aerator cleaning

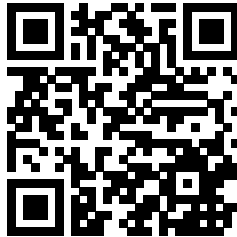


Place the corresponding tool according to the type of aerator you have and remove it. Wash it under a stream of water. If there is any sediment, place it in a glass of vinegar during the night. Put it back the next day.



**Attention! Do not use sharp objects to unblock the aerator**

**WARRANTY:** For more information please visit <https://franzviegenger.com/warranty/>



**FRANZ VIEGENER Customer Service Department (800) 446-9700**

Phone 847-244-3837 / Fax 847-249-4049 - [info@franzviegenger.com](mailto:info@franzviegenger.com)

4000 Porett Drive - Gurnee, IL, 60031-USA.

Follow us on social media!    



Scan the code to get more information about this line.

[www.franzviegenger.com](http://www.franzviegenger.com)