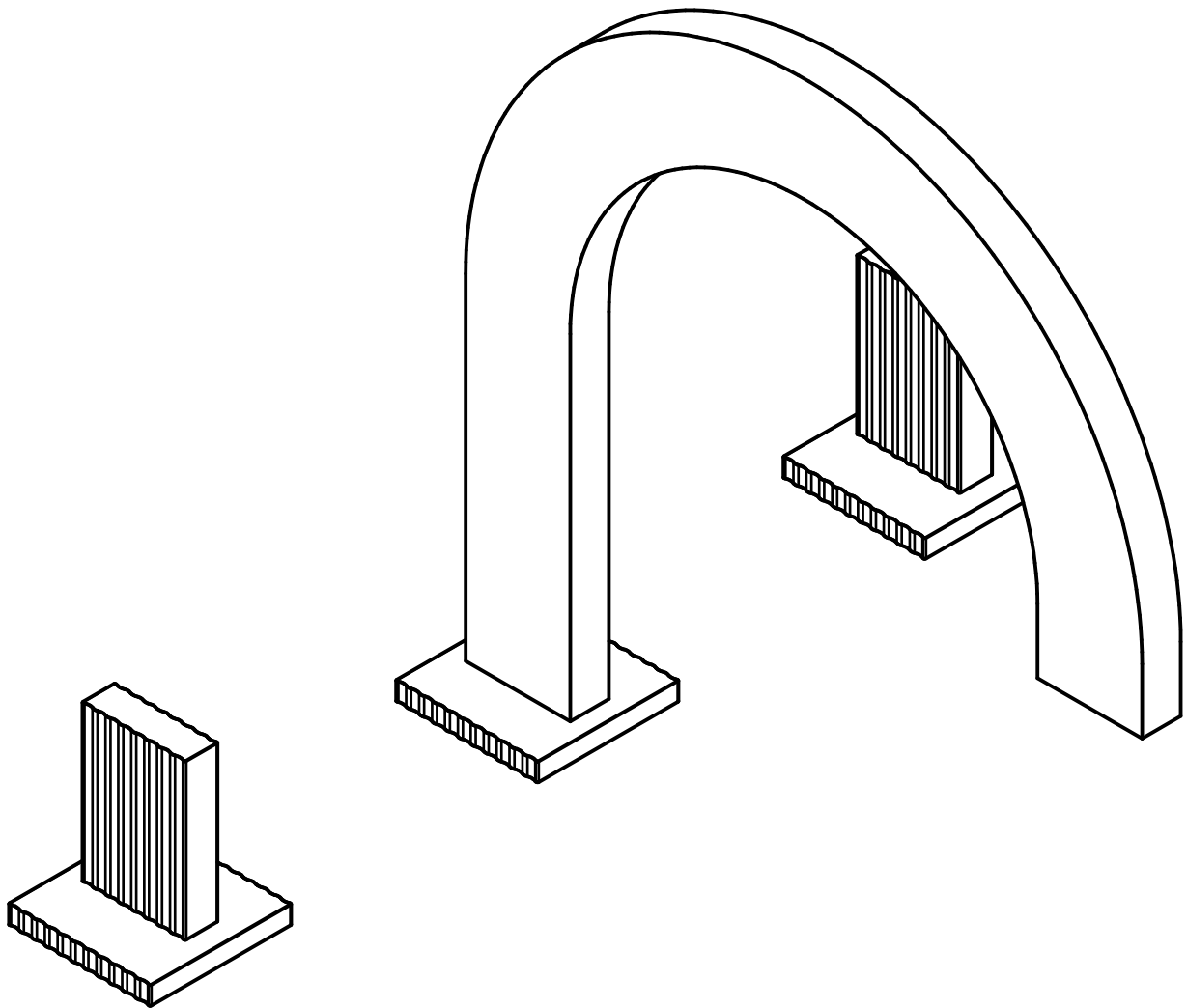


Before connecting the faucet to the water supply, flush the tubing thoroughly to eliminate any residue /  
Antes de conectar la grifería a la distribución de agua, purgue muy bien la cañería a fin de eliminar partículas extrañas.

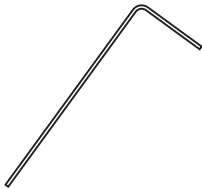
**FV210/F4** - Roman tub faucet / Juego hidromasaje



**Required installation tools / Herramientas necesarias para la instalación**

**Provided / Provistas**

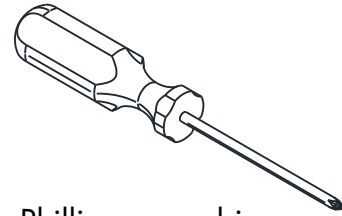
---



**Allen Wrench**  
Llave Allen

**Not Provided / No Provistas**

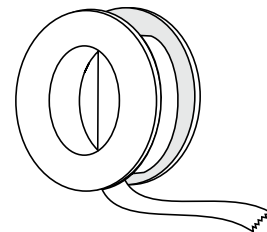
---



**Phillips screwdriver**  
Destornillador Phillips

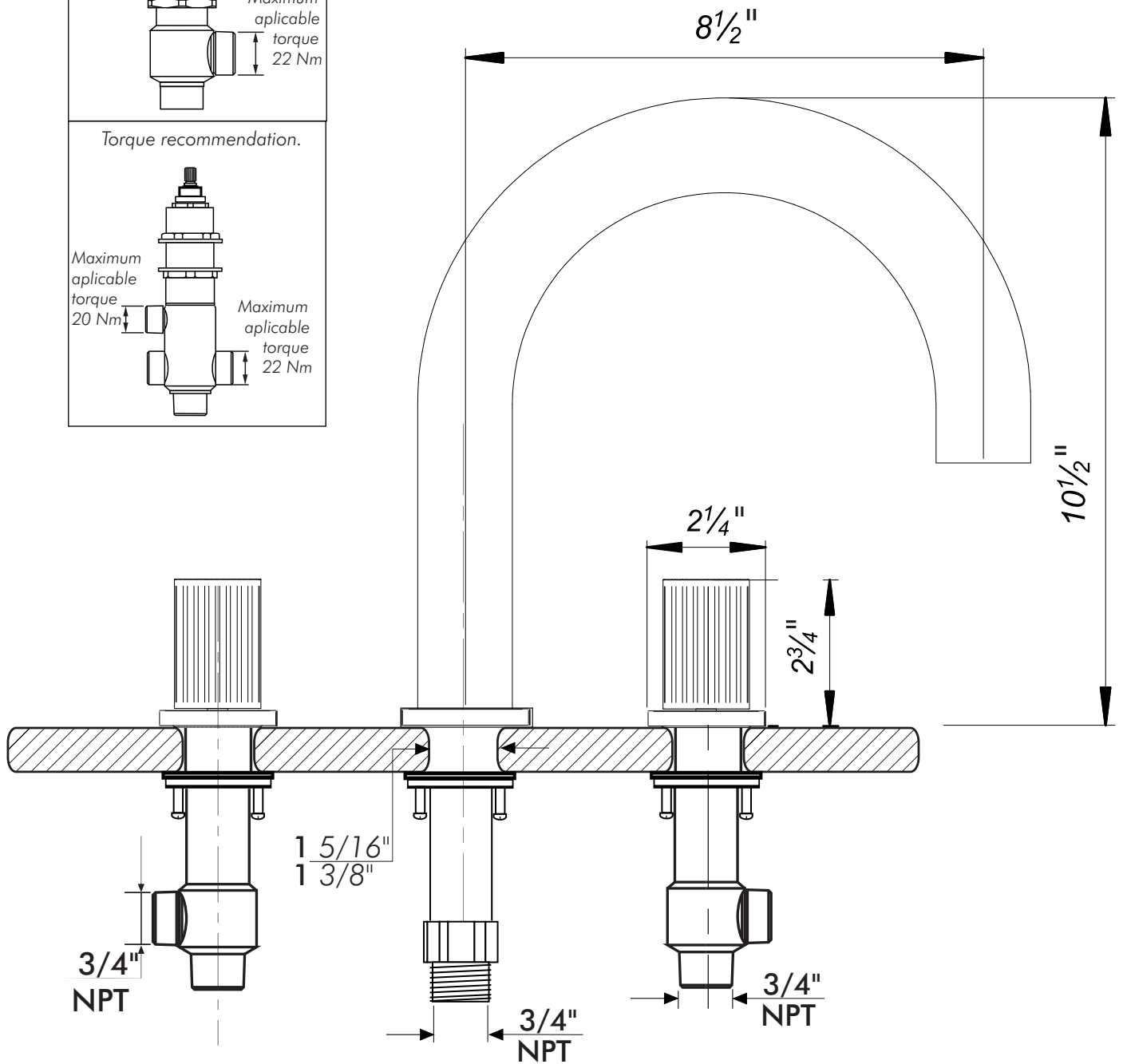
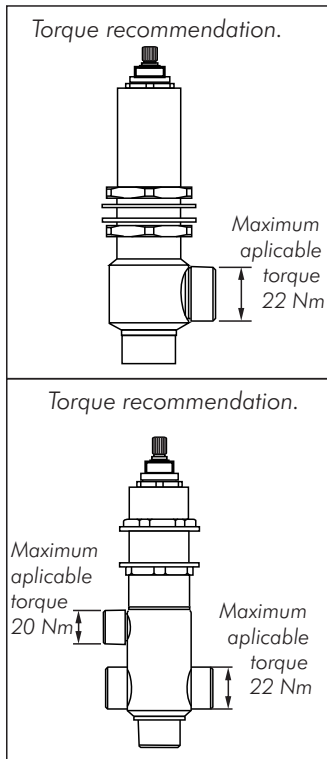


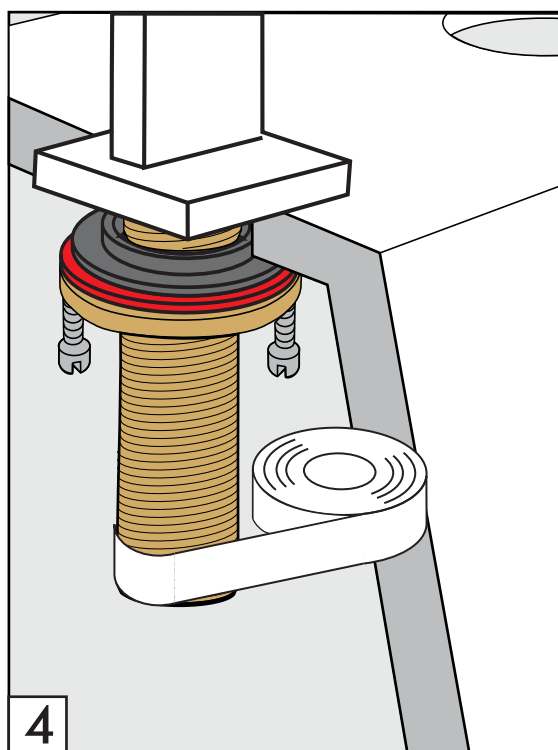
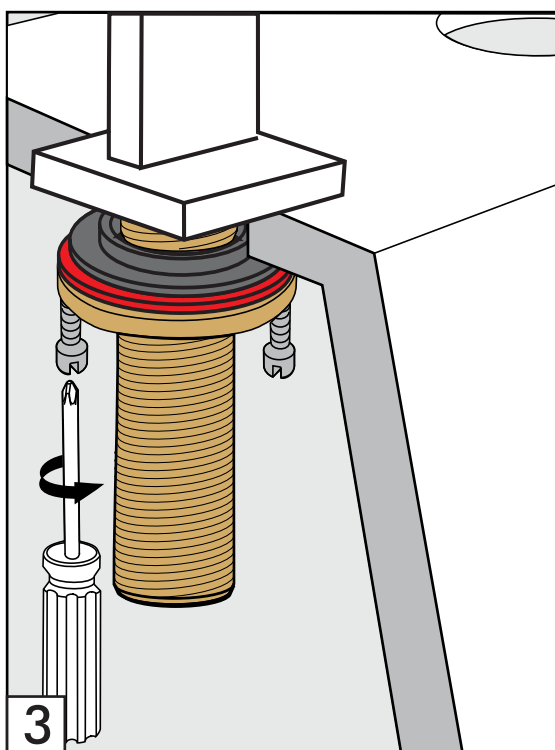
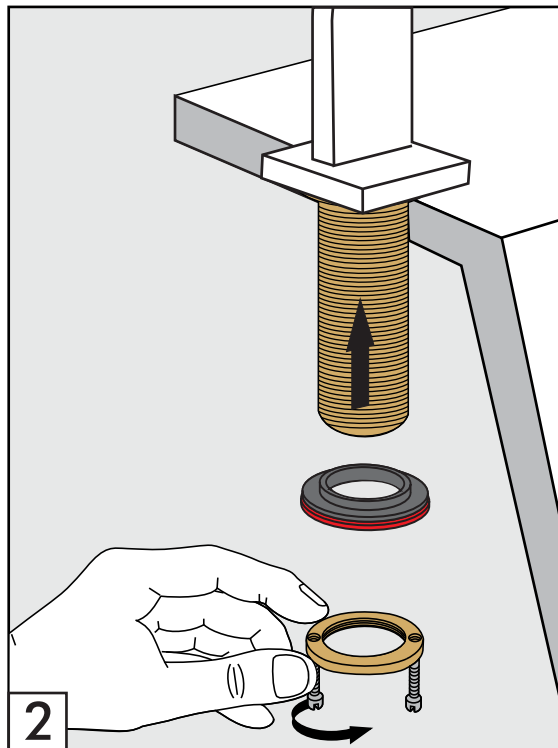
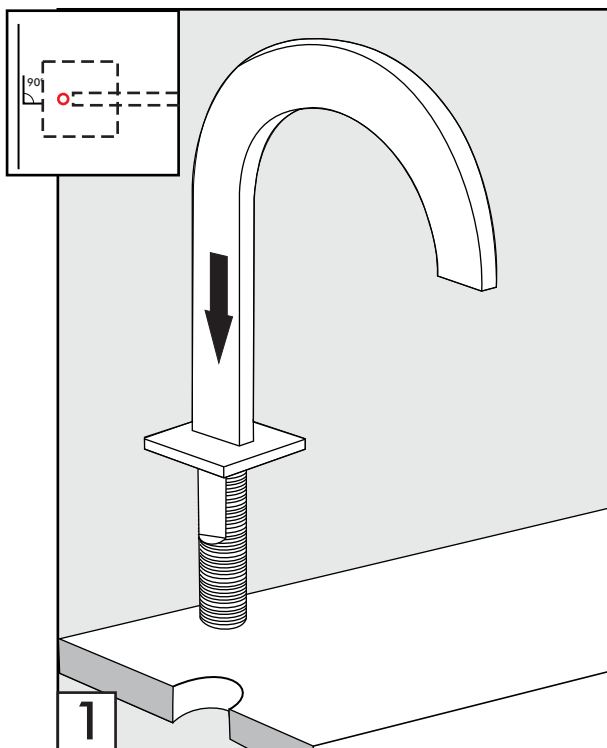
**Adjustable wrench**  
Adjustable inglesa

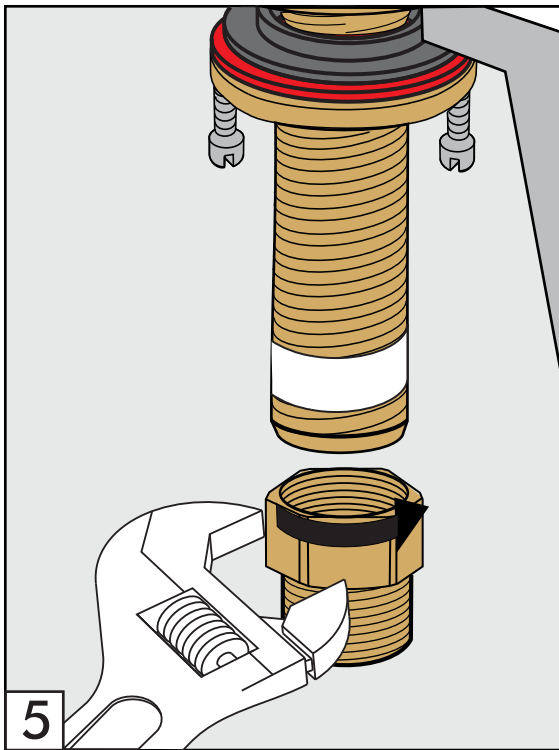


**Sealant tape**  
Cinta de teflón

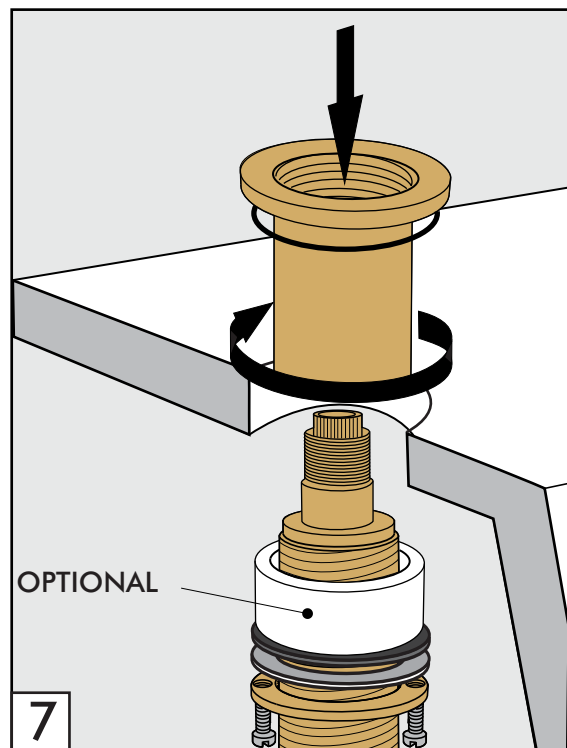
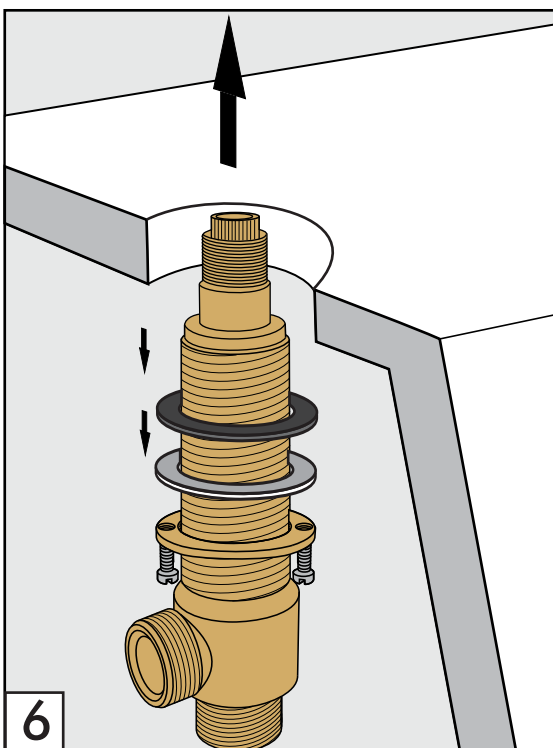
**FV210/F4**  
*Roman tub faucet*





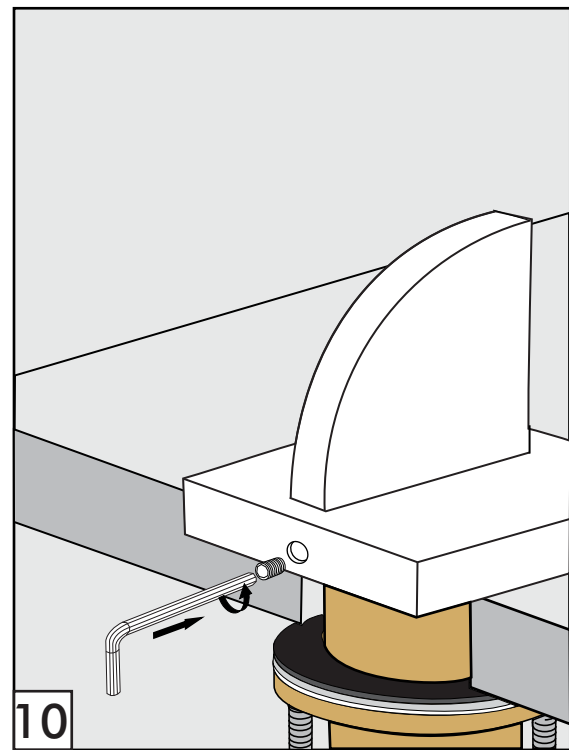
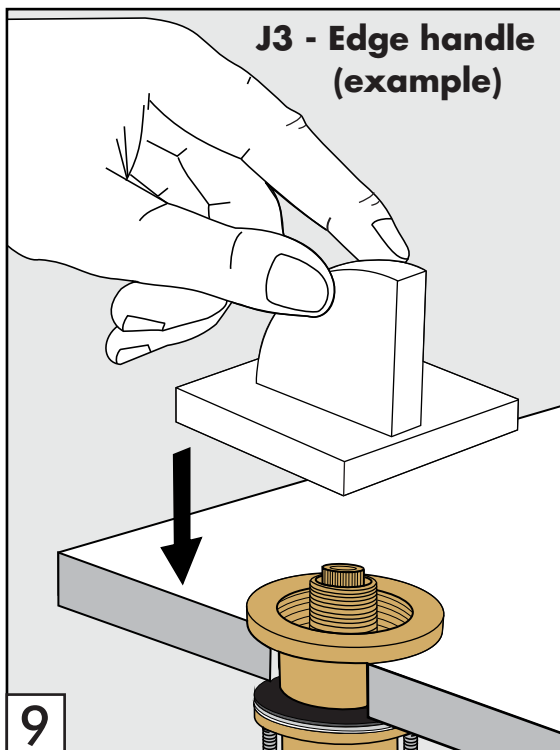
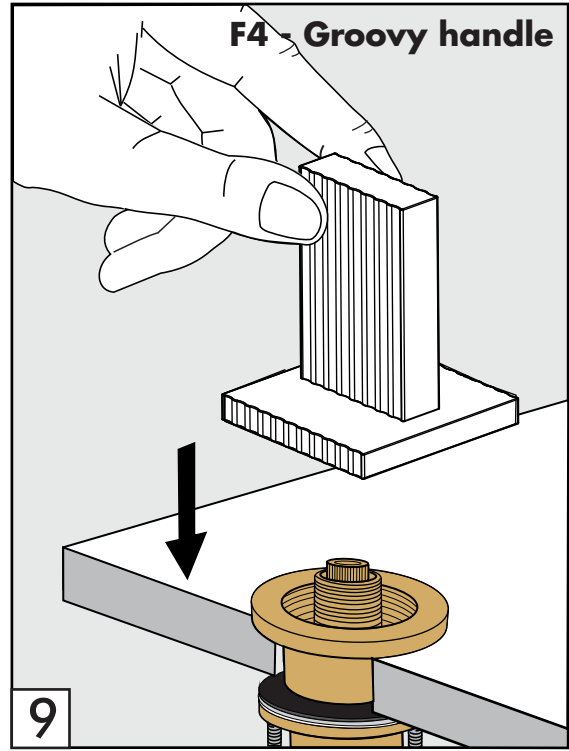
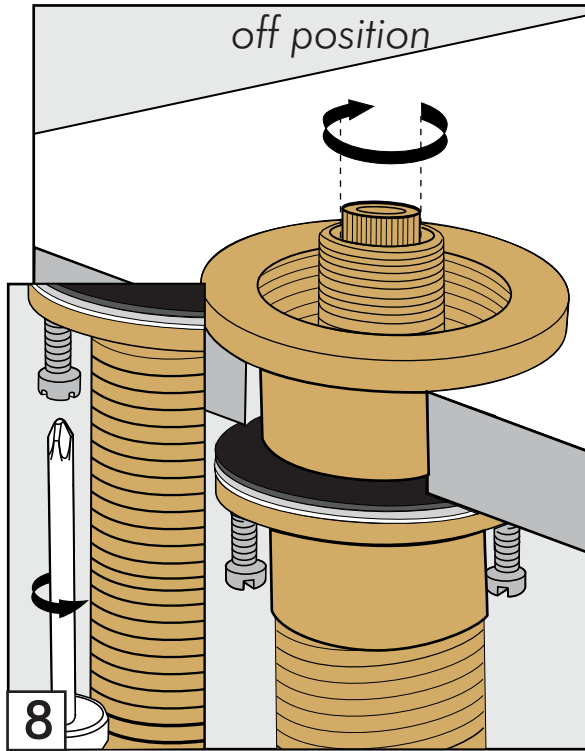


**Handle installation:**



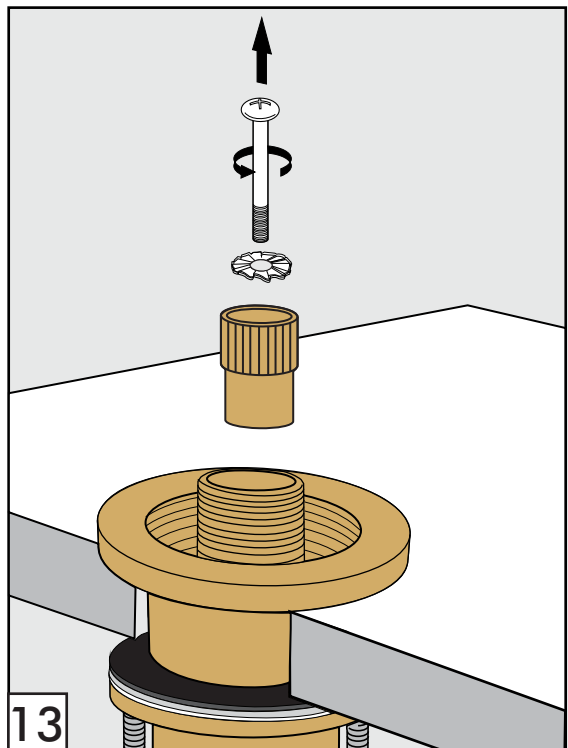
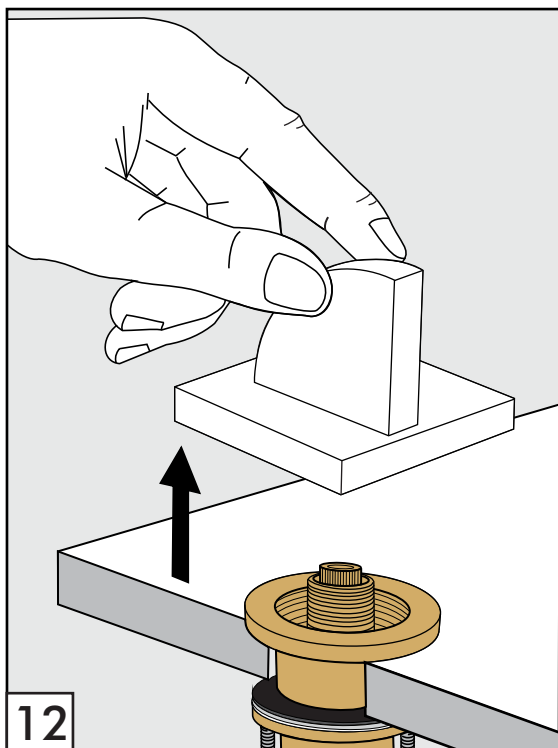
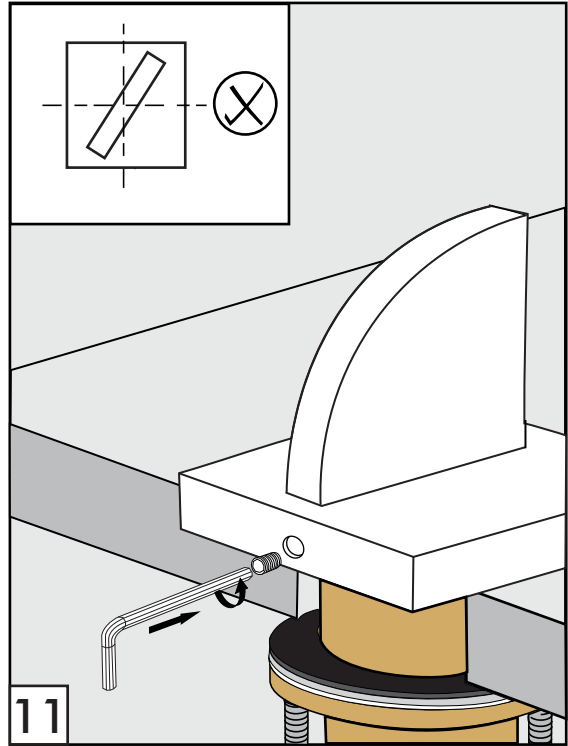
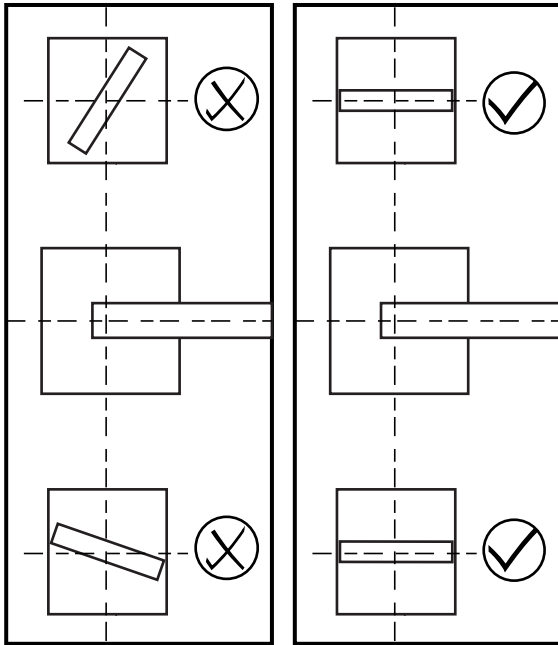
# Installation/ Instalación

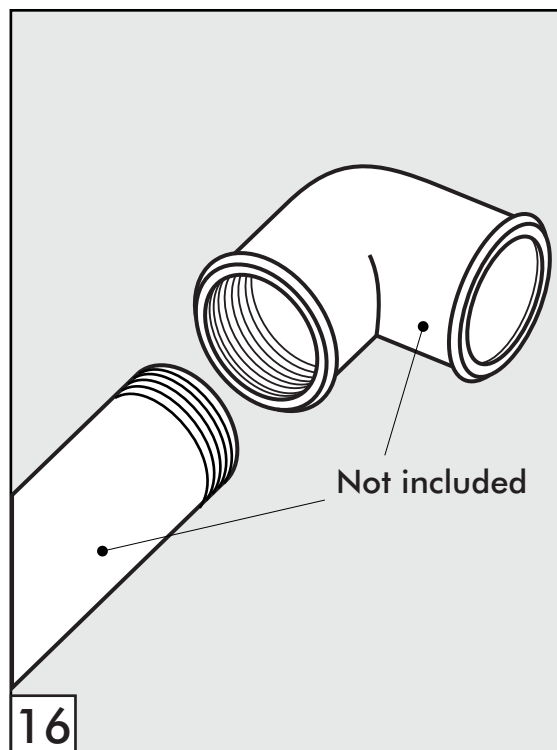
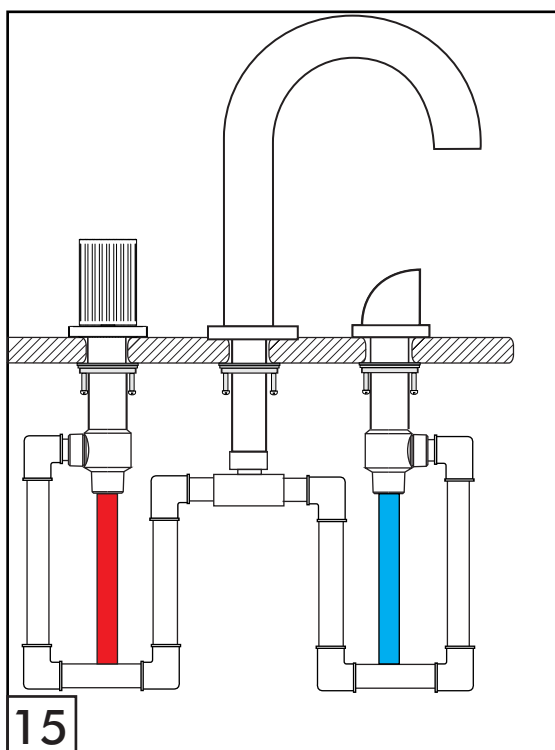
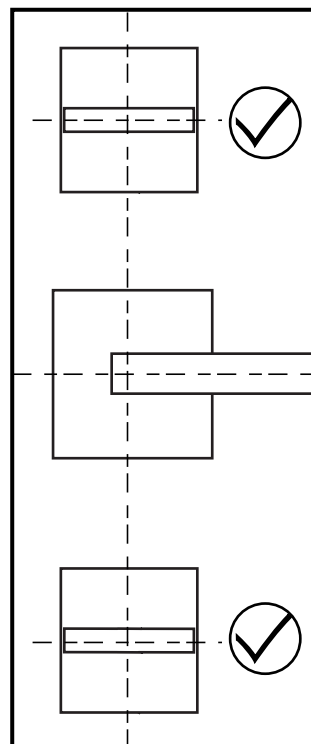
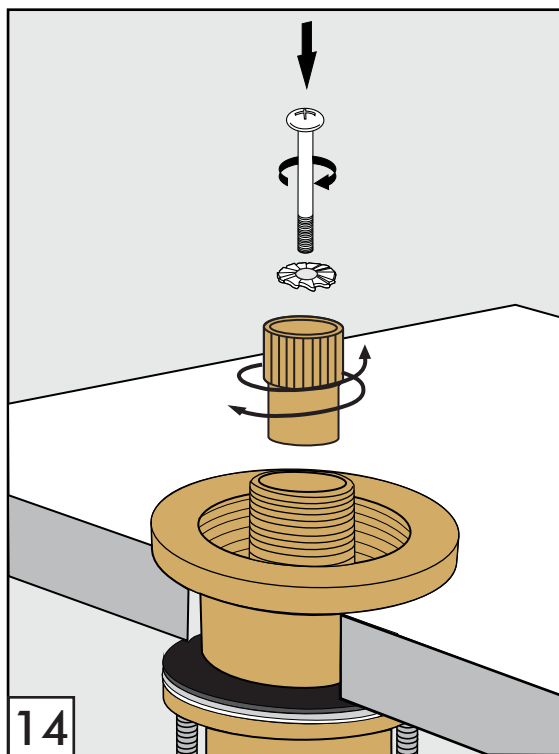
Handle installation/ Instalación del volante



# Installation/ Instalación

Handle installation/ Instalación del volante



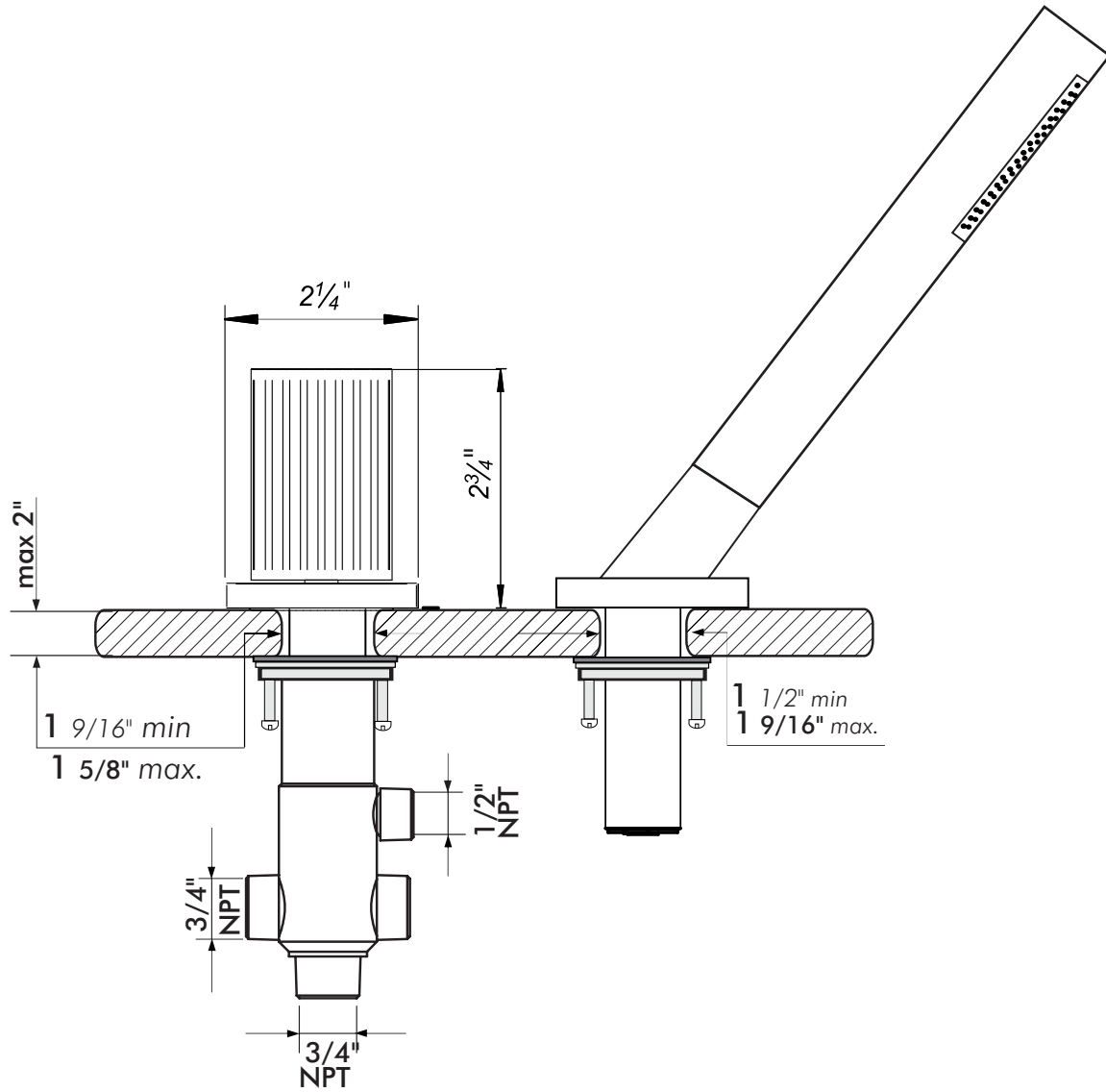


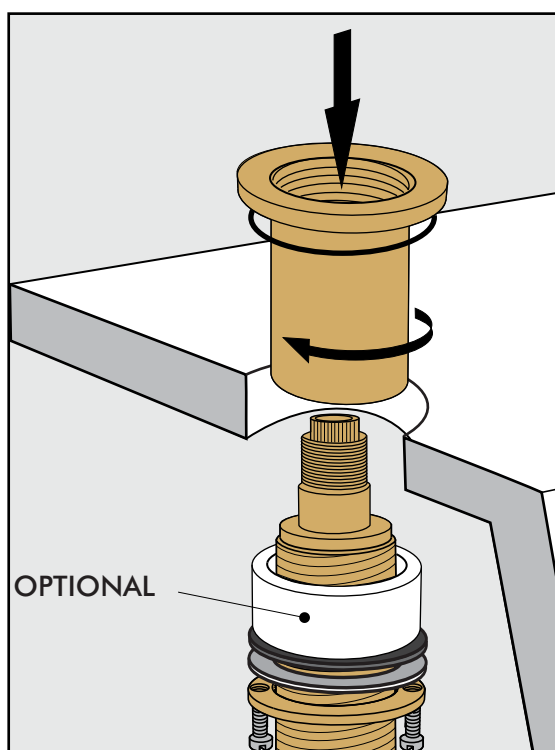
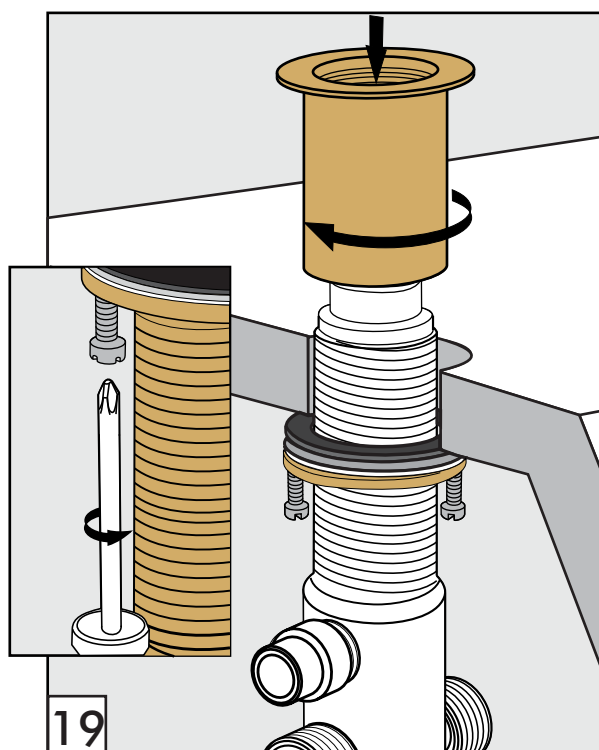
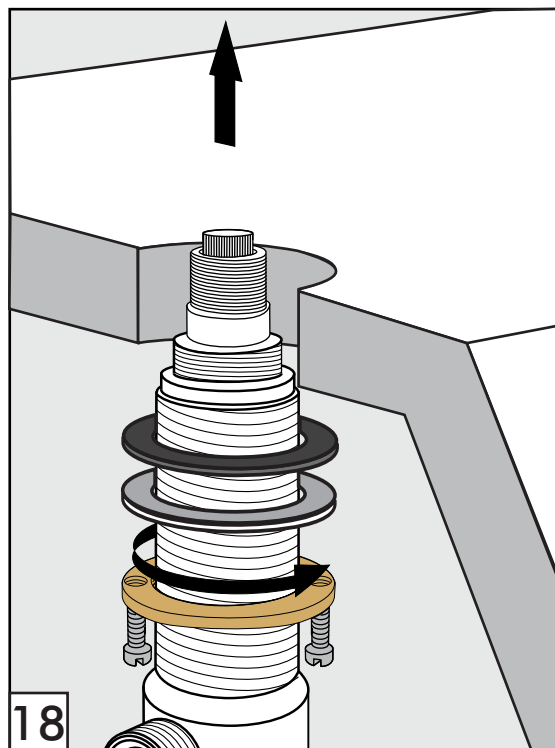
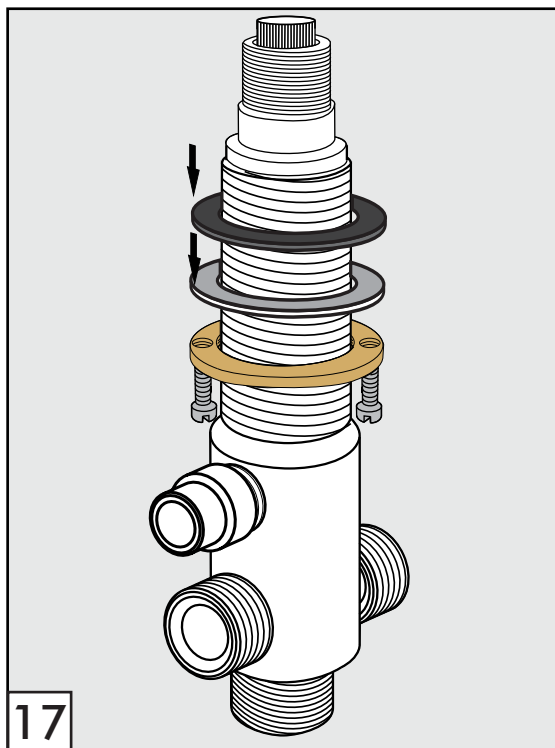


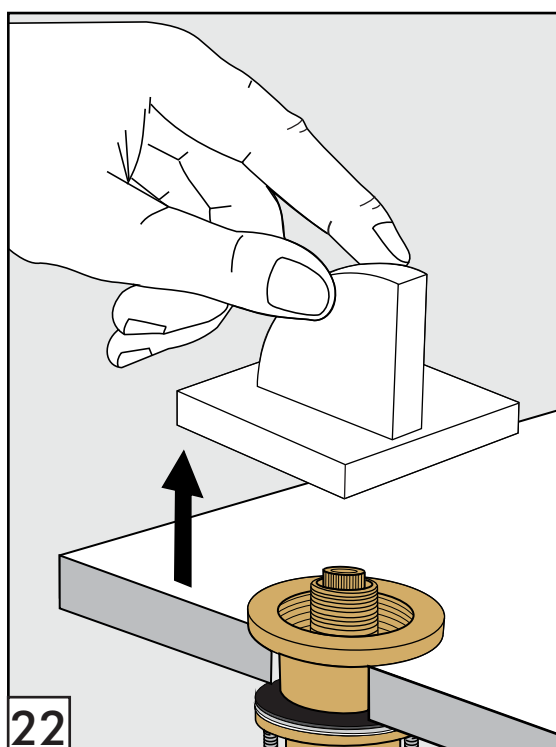
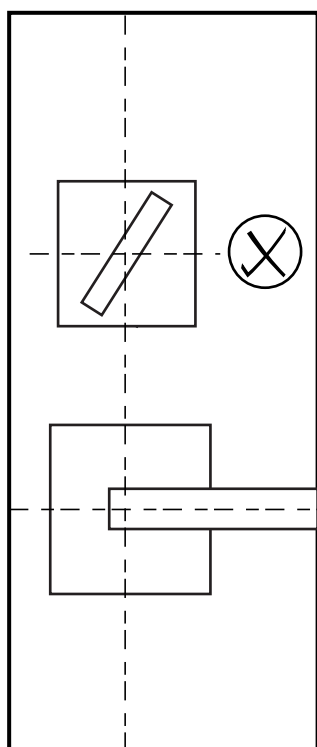
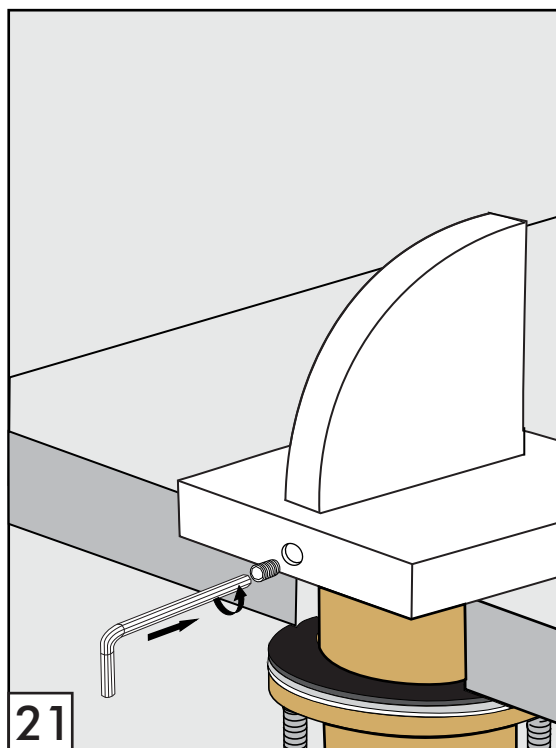
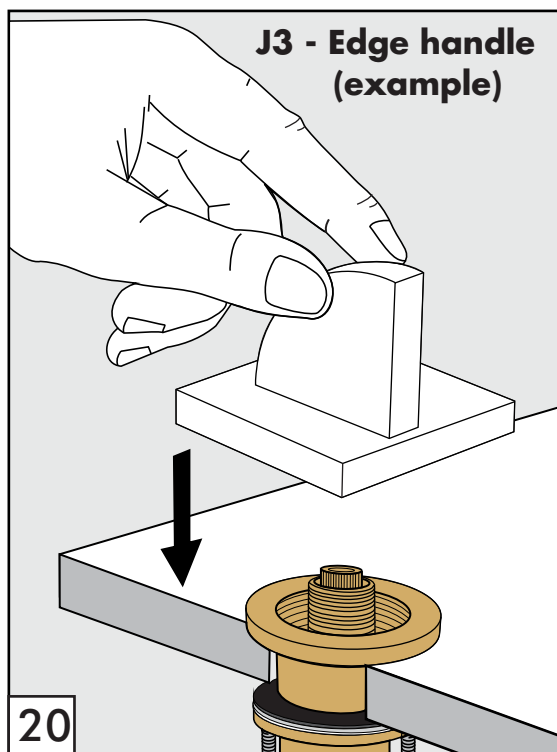
**FV133/F4.0**

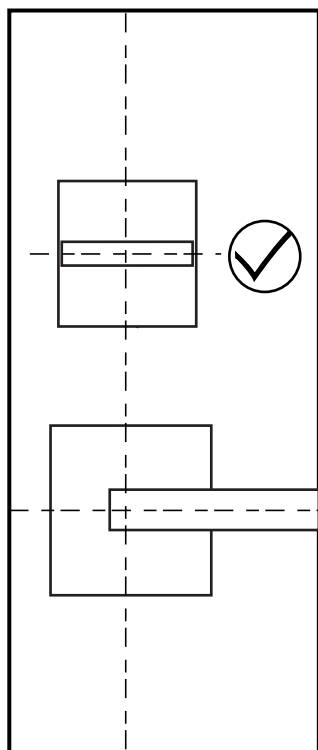
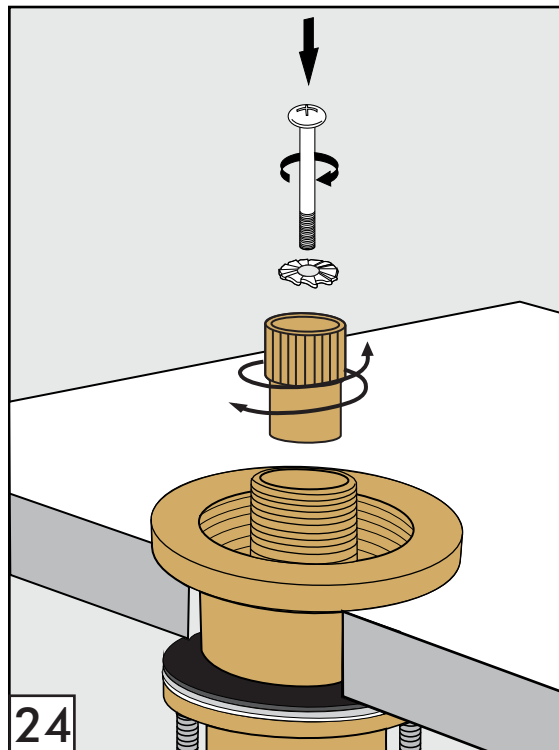
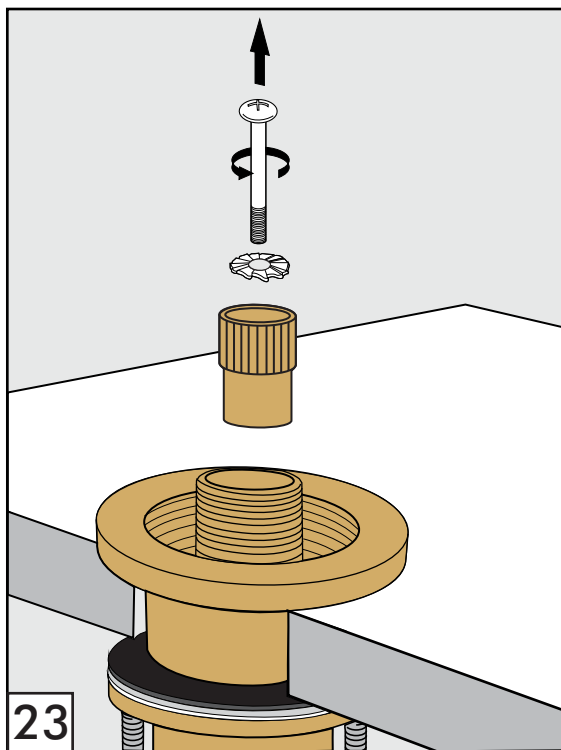
*(Optional / not included)*

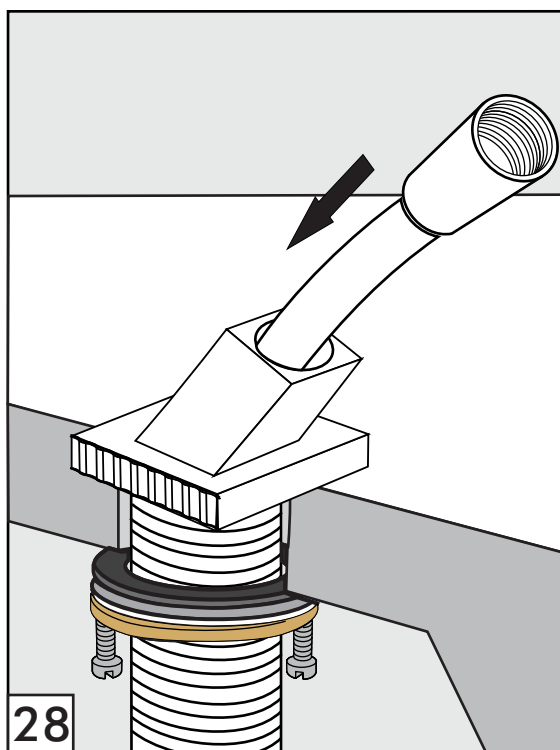
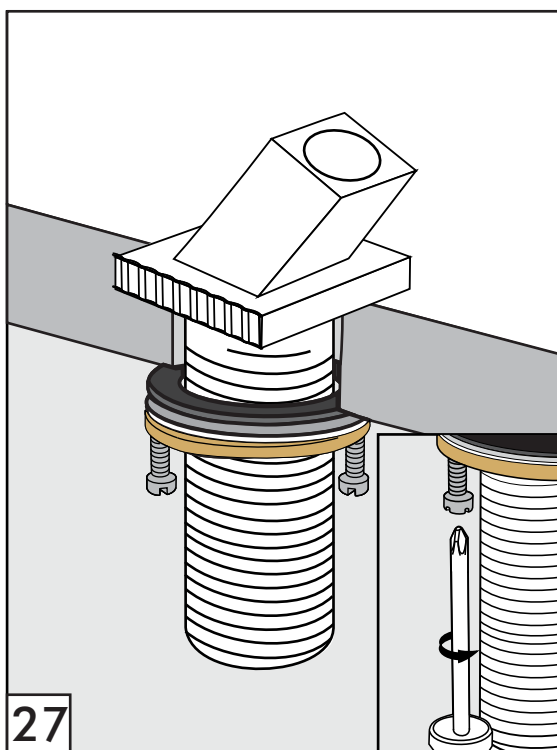
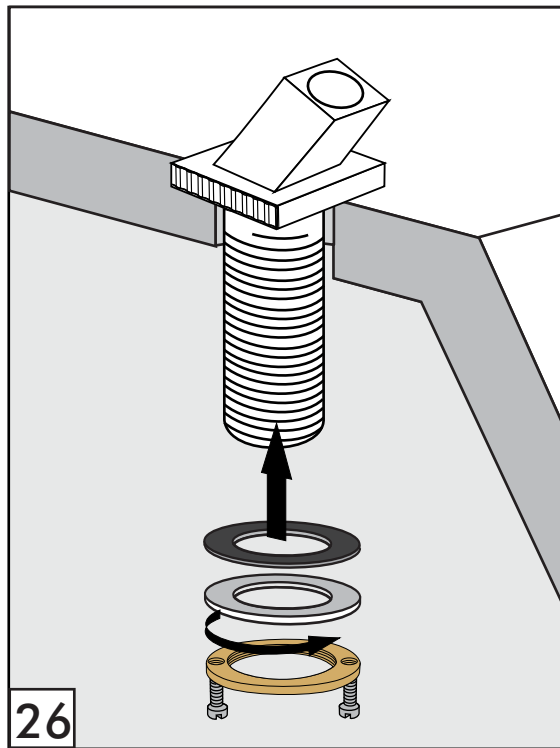
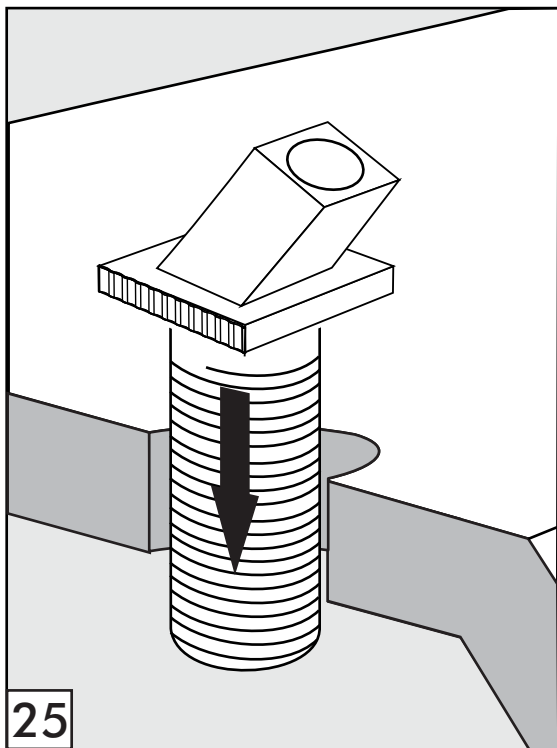
*Hand shower, diverter valve  
& complete handle*

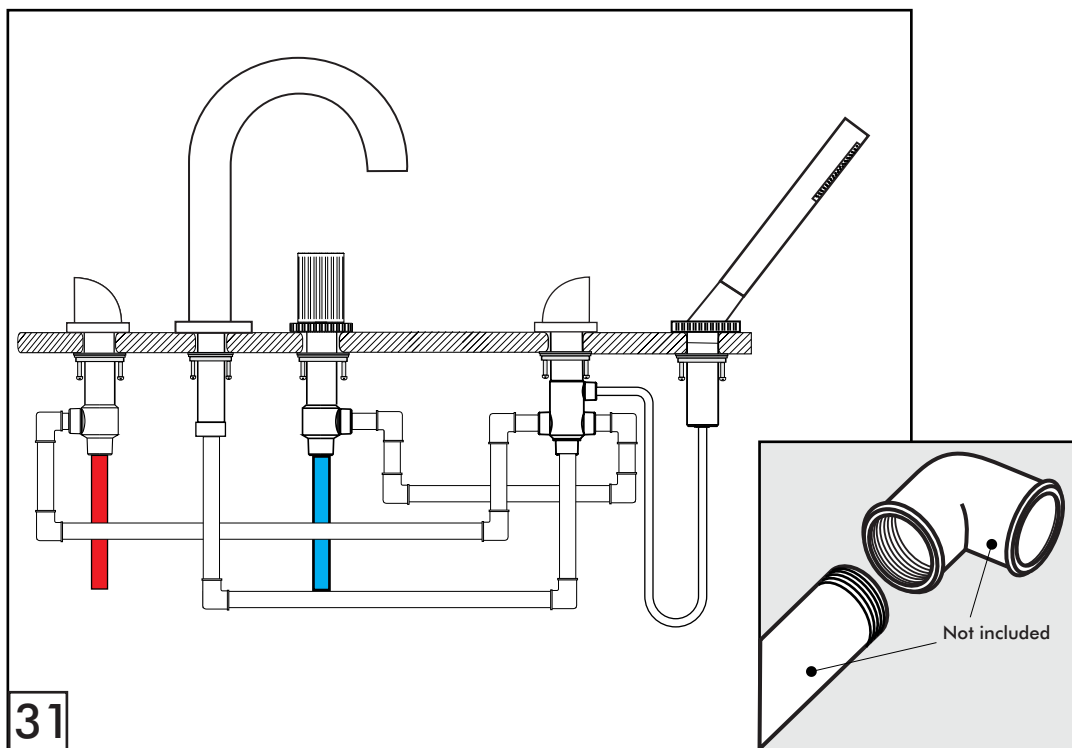
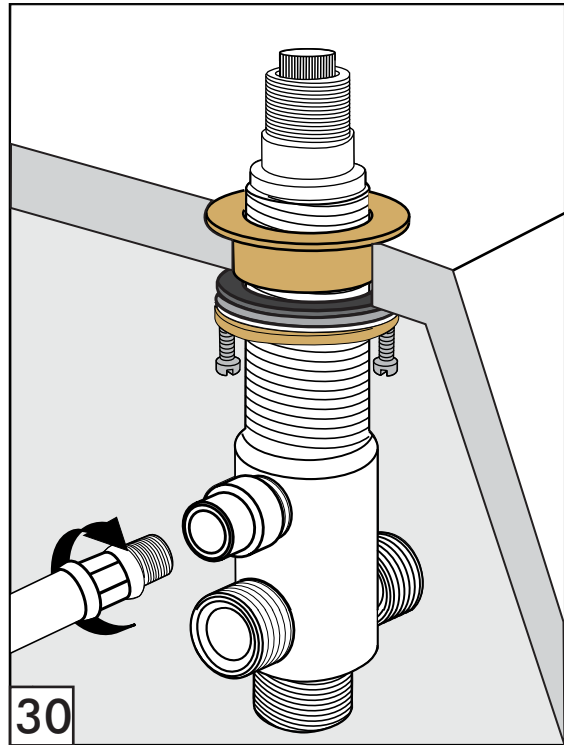
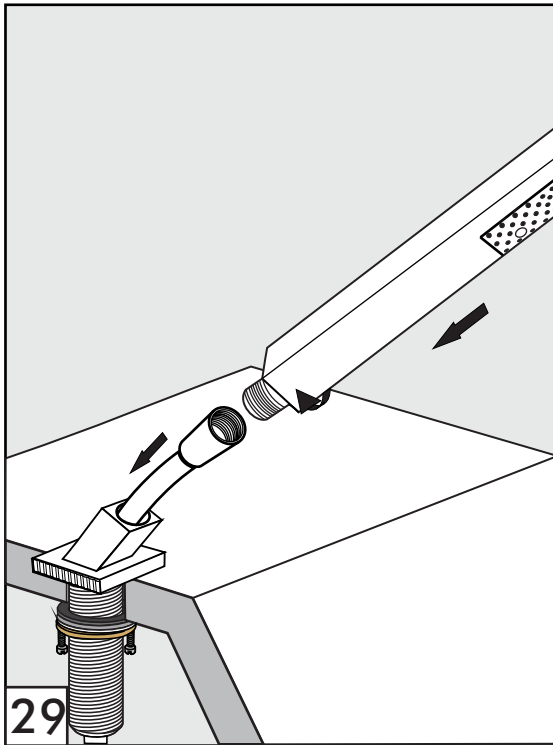






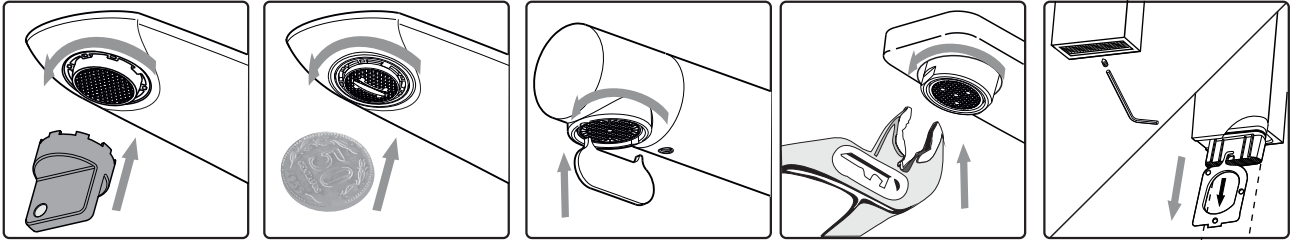








## Aerator cleaning

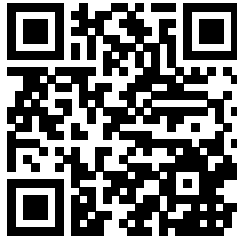


Place the corresponding tool according to the type of aerator you have and remove it. Wash it under a stream of water. If there is any sediment, place it in a glass of vinegar during the night. Put it back the next day.



**Attention! Do not use sharp objects to unblock the aerator**





**WARRANTY:** For more information please visit <https://franzviegner.com/warranty/>



**FRANZ VIEGENER Customer Service Department (800) 446-9700**

Phone 847-244-3837 / Fax 847-249-4049 - [info@franzviegner.com](mailto:info@franzviegner.com)

4000 Porett Drive - Gurnee, IL, 60031-USA.

Follow us on social media!    



Scan the code to get more information about this line.

[www.franzviegner.com](http://www.franzviegner.com)