

FV162/K6K Towel ring/Toallero de aro

FV162/K6V Towel ring/Toallero de aro

FV164/K6K 18" Towel bar/Barral toallero 45 cm

FV164/K6V 18" Towel bar/Barral toallero 45 cm

FV164.01/K6K 24" Towel bar/Barral toallero 60 cm

FV164.01/K6V 24" Towel bar/Barral toallero 60 cm

FV164.02/K6K 30" Towel bar/Barral toallero 75 cm

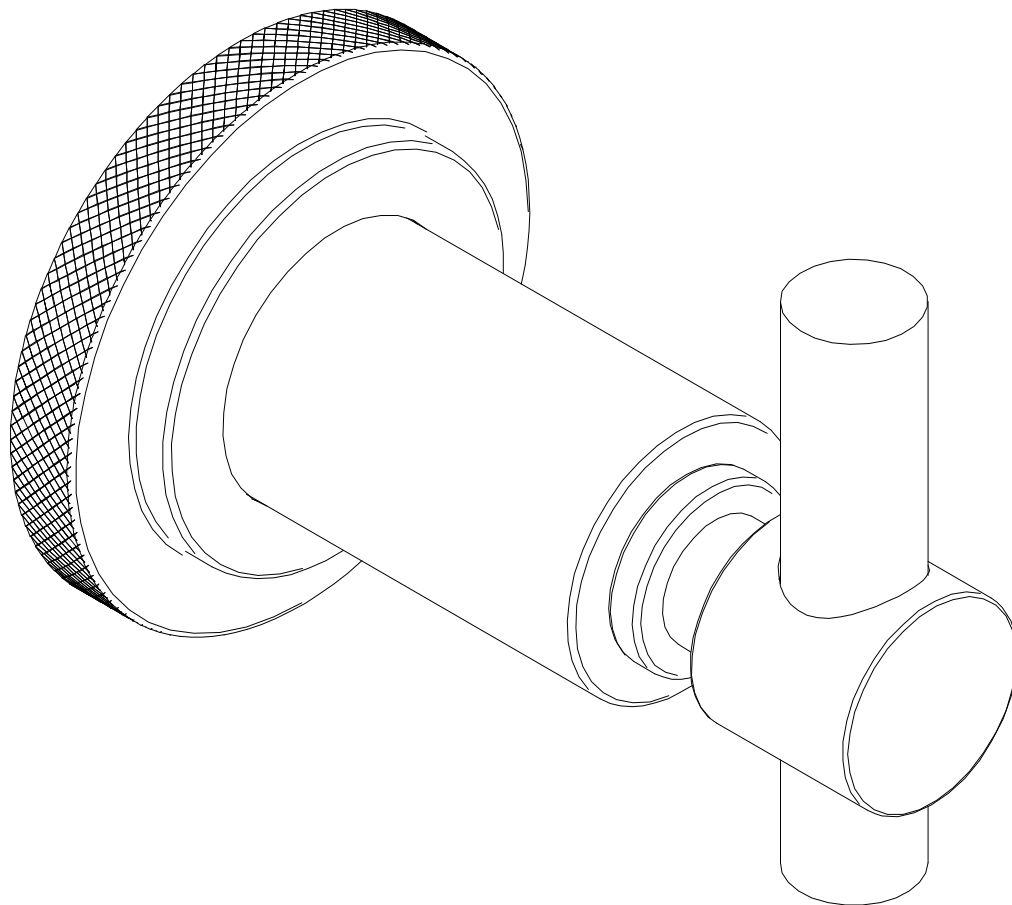
FV164.02/K6V 30" Towel bar/Barral toallero 75 cm

FV166/K6K Robe hook/Percha

FV166/K6V Robe hook/Percha

FV167/K6K Toilet paper holder/Porta rollo

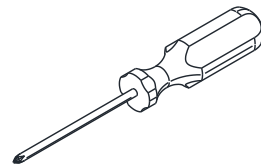
FV167/K6V Toilet paper holder/Porta rollo



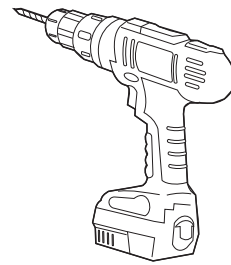
Required installation tools

Provided

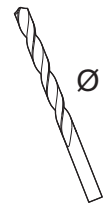
Not Provided



Phillips screwdriver

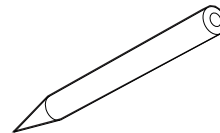


Power Drill

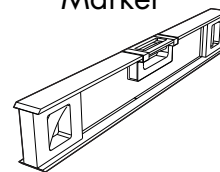


Ø 6mm 1/4"

Masonry Drill Bit



Marker



Level Tool

Measures

Examples:

FV162/K6V Towel ring/Barral toallero corto

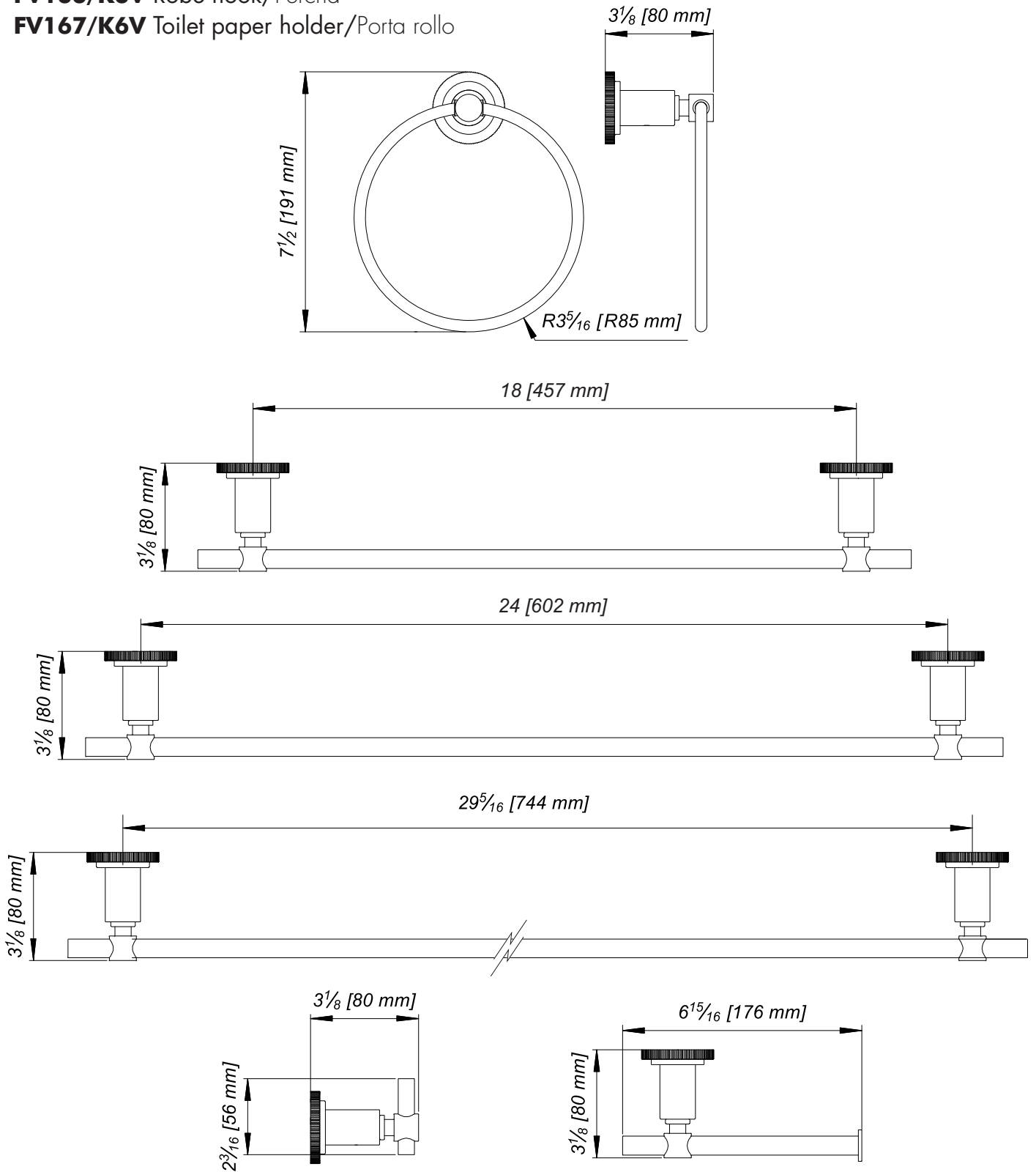
FV164/K6V 18" Towel bar/Barral toallero 45 cm

FV164.01/K6V 24" Towel bar/Barral toallero 60 cm

FV164.02/K6V 30" Towel bar/Barral toallero 75 cm

FV166/K6V Robe hook/Percha

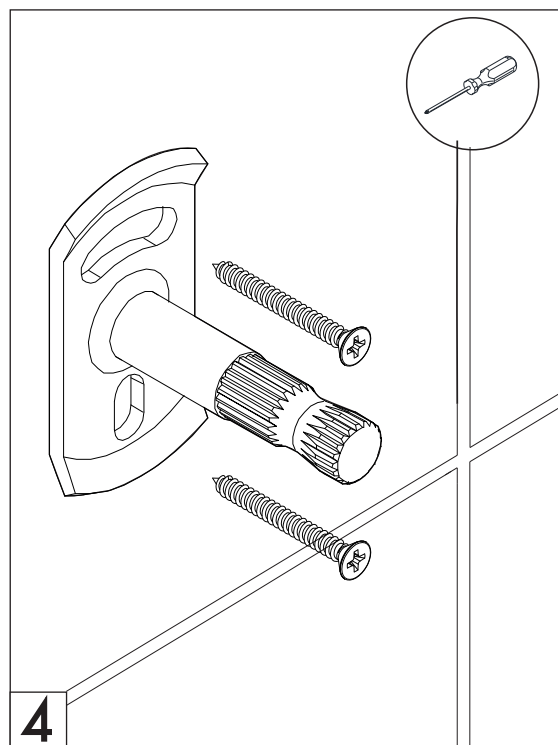
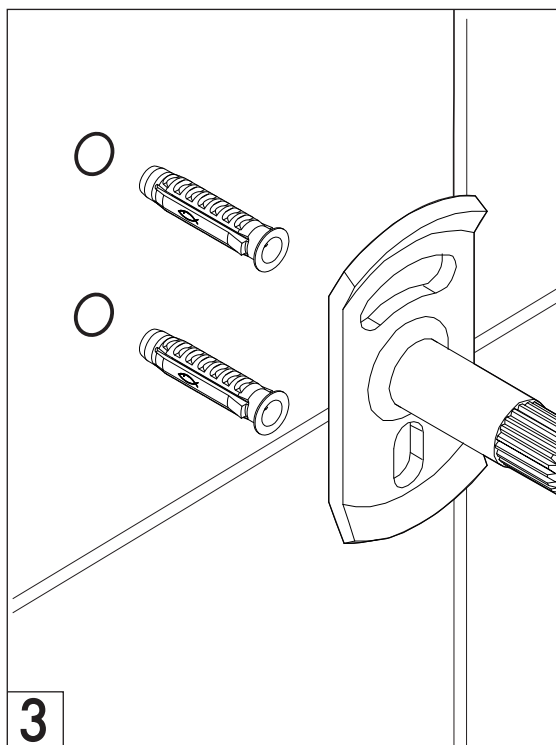
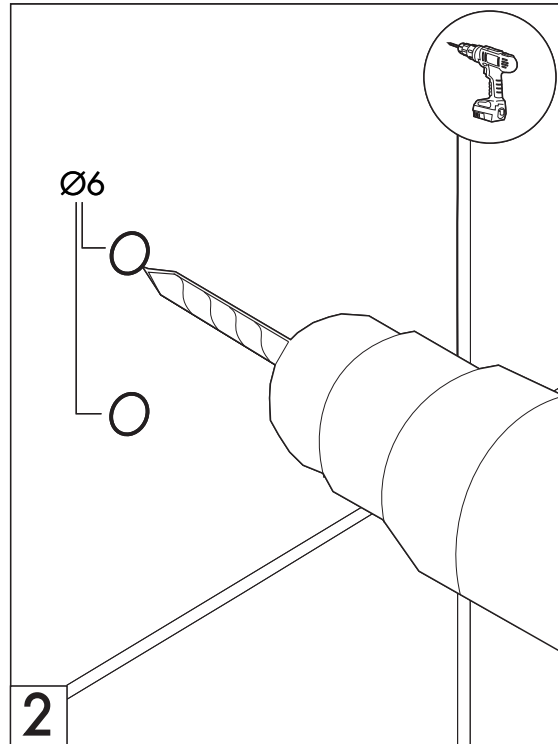
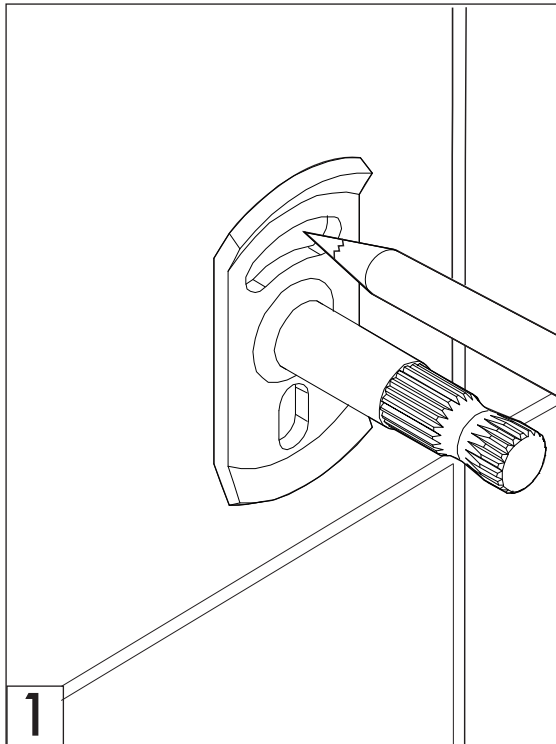
FV167/K6V Toilet paper holder/Porta rollo

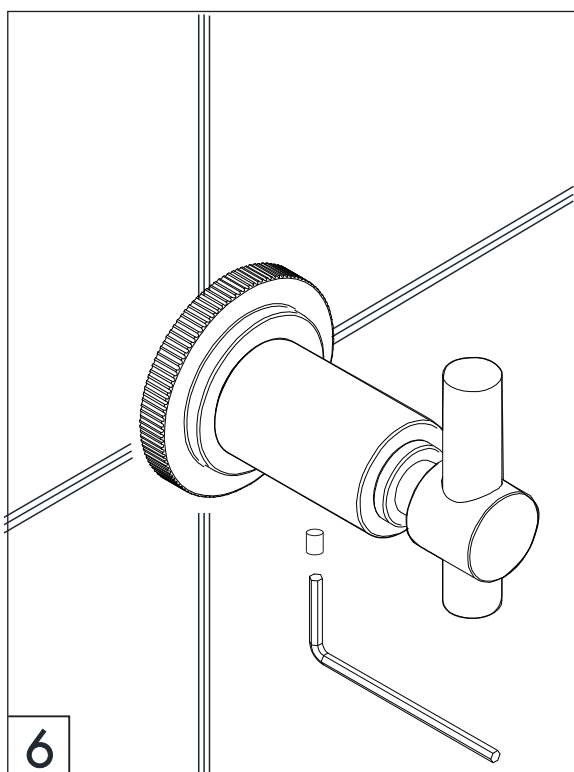
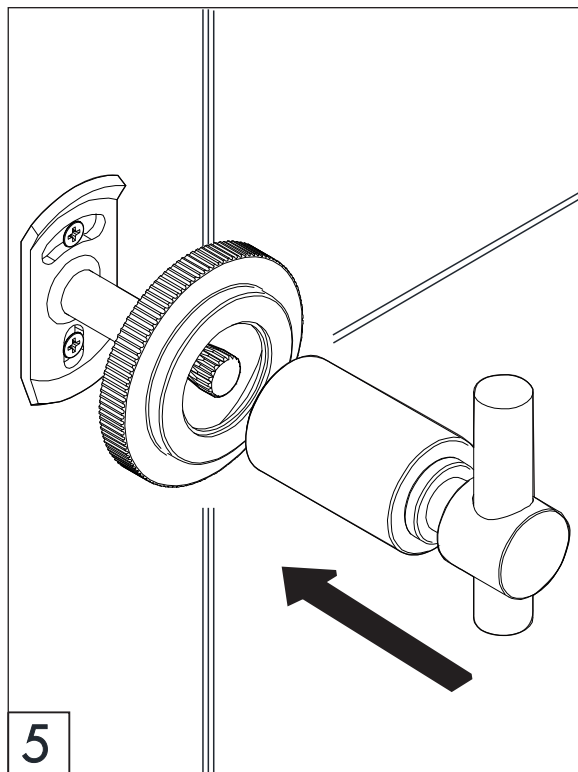


FV162/K6V - FV162/K6K Short Towel bar/Barral toallero corto

FV166/K6V - FV166/K6K Robe hook/Percha

FV167/K6V - FV167/K6K Toilet paper holder/Porta rollo



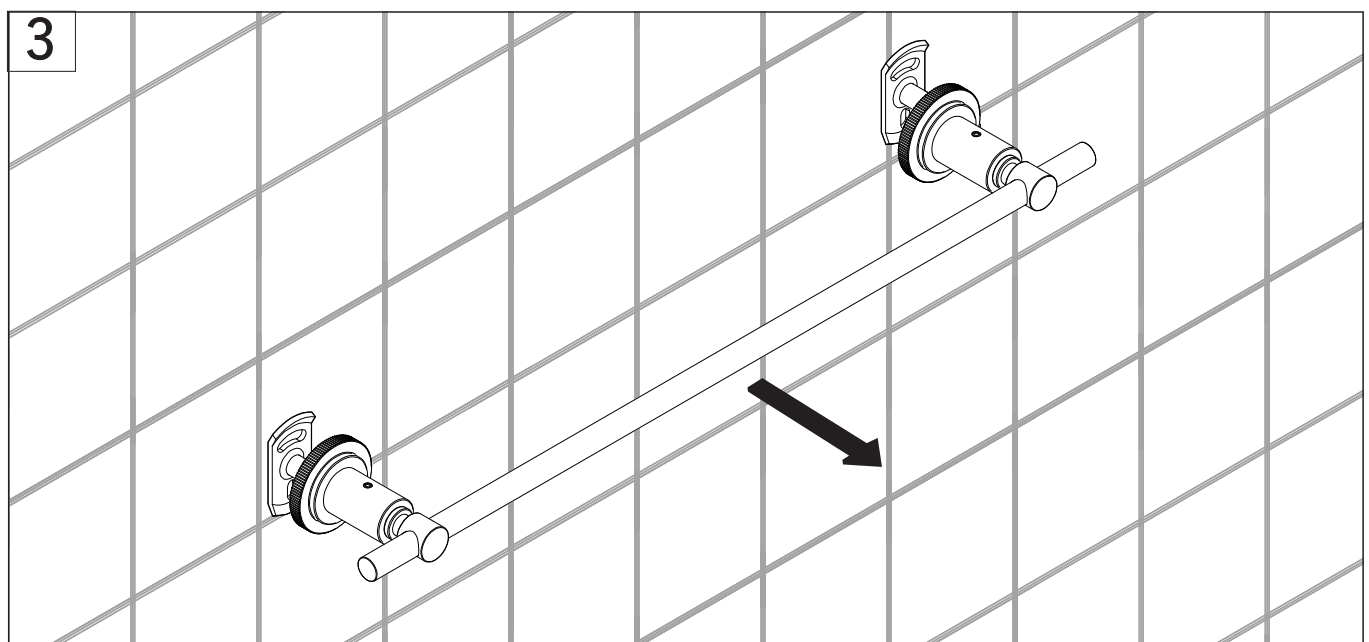
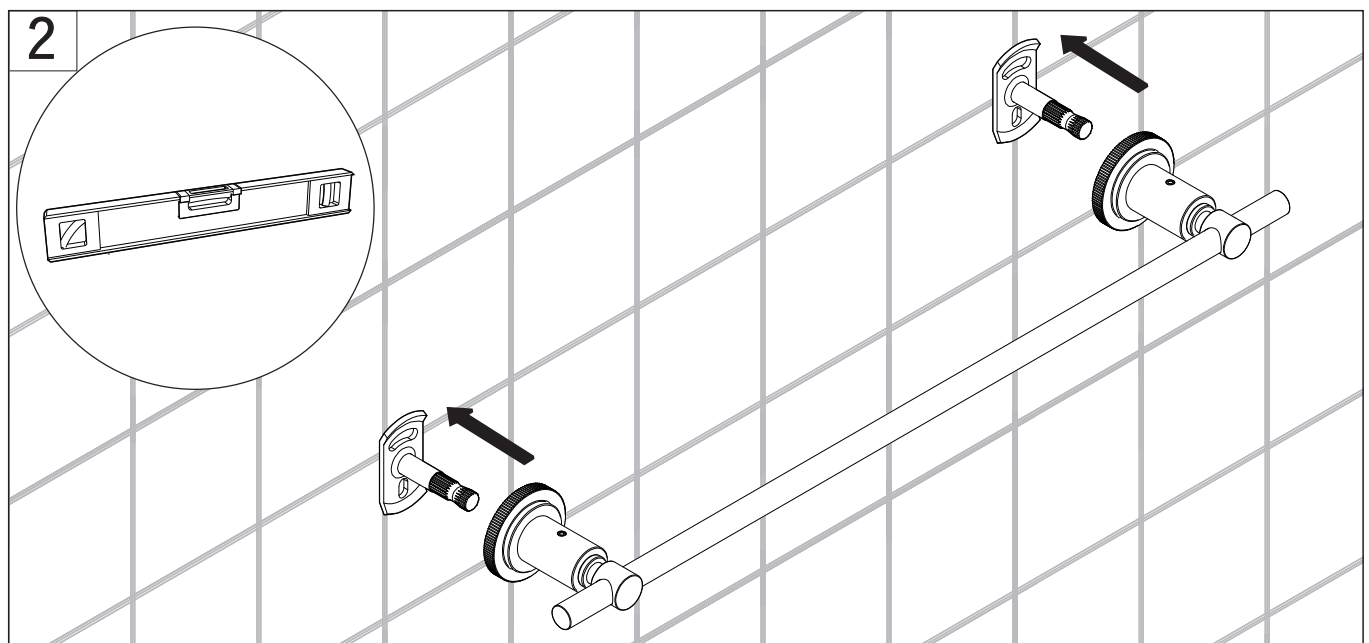
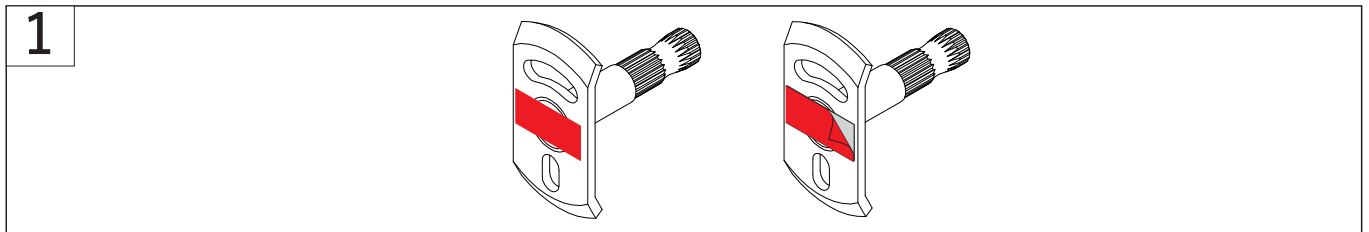


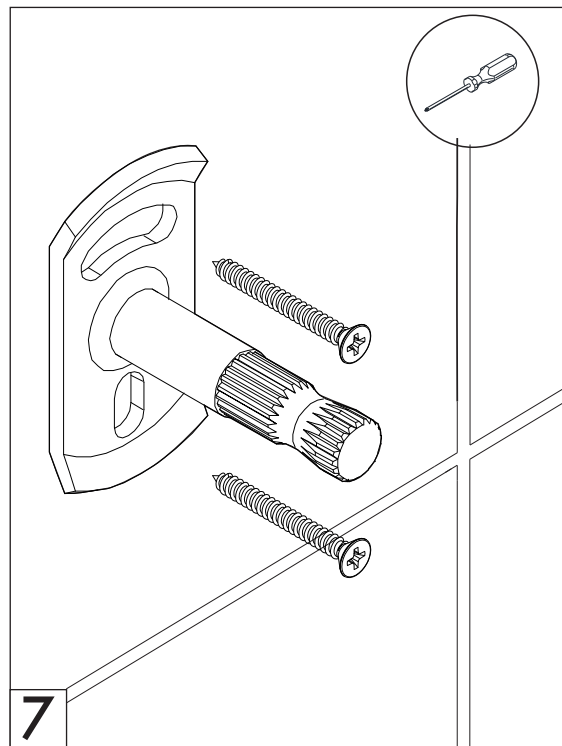
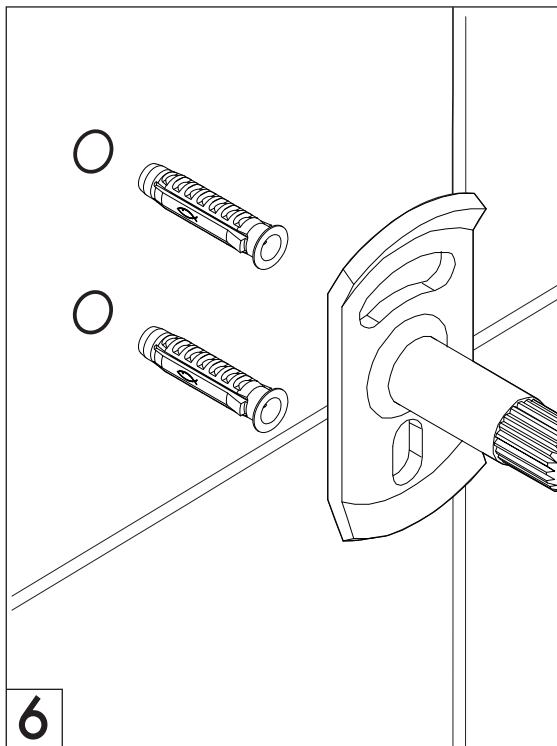
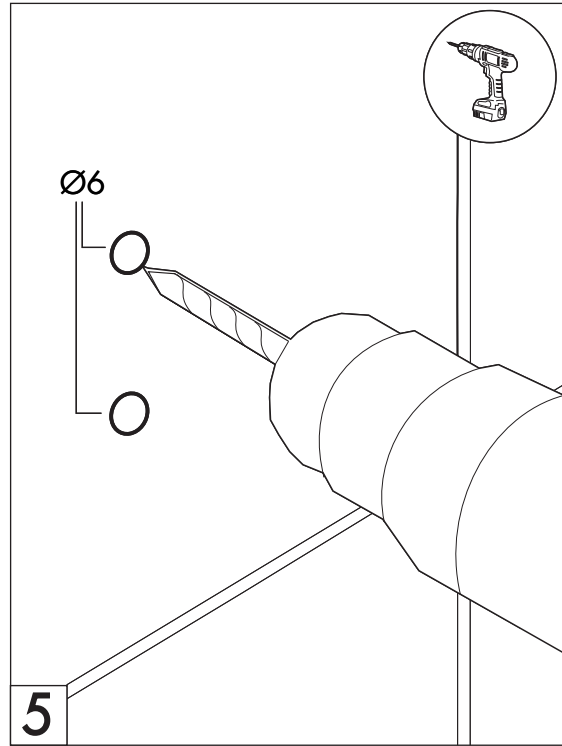
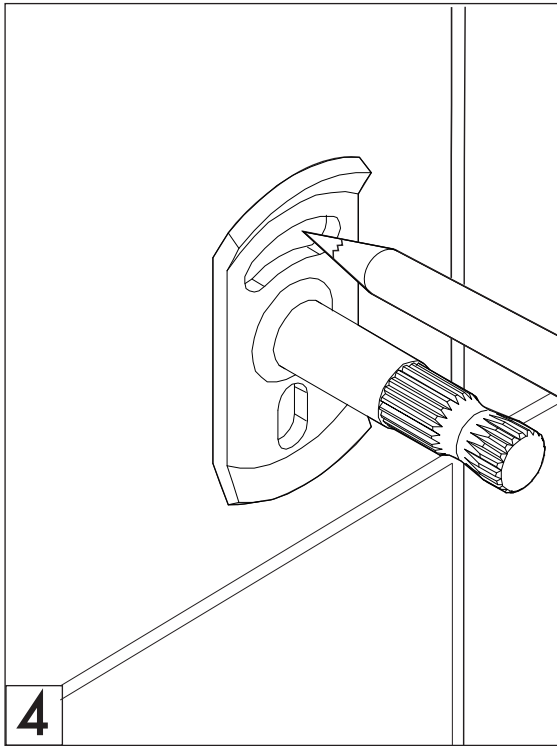
Installation/Instalacion

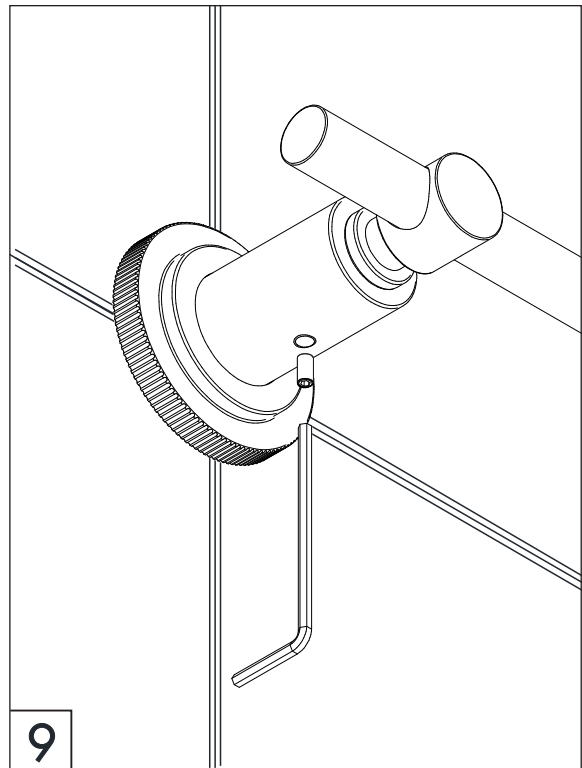
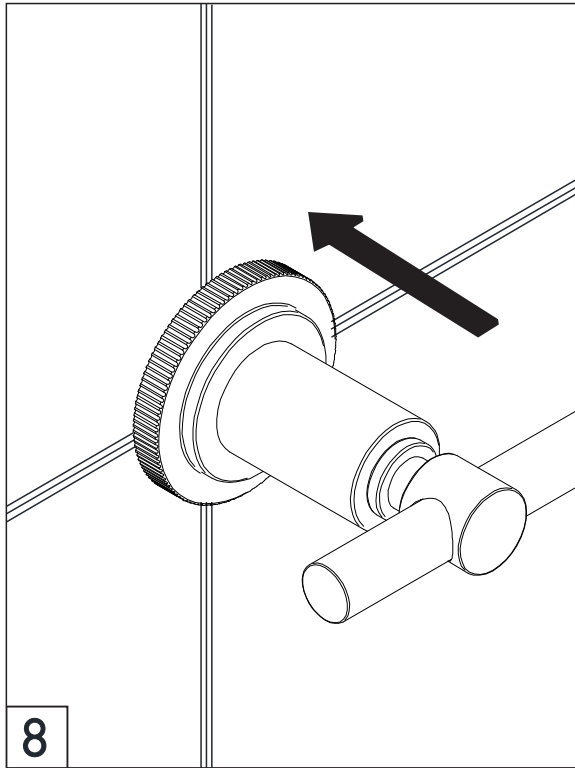
FV164/K6V - FV164/K6K 18" Towel bar/Barral toallero 45 cm

FV164.01/K6V - FV164.01/K6K 24" Towel bar/Barral toallero 60 cm

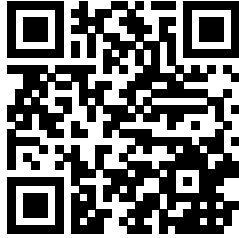
FV164.02/K6V - FV164.02/K6K 30" Towel bar/Barral toallero 75 cm







WARRANTY: For more information please visit <https://franzviegener.com/warranty/>



FRANZ VIEGENER Customer Service Department

Phone 847-244-3837 - info@franzviegener.com.

4000 Porett Drive - Gurnee, IL, 60031-USA.

Follow us on social media!



Scan the code
to get more
information
about this line.

www.franzviegener.com